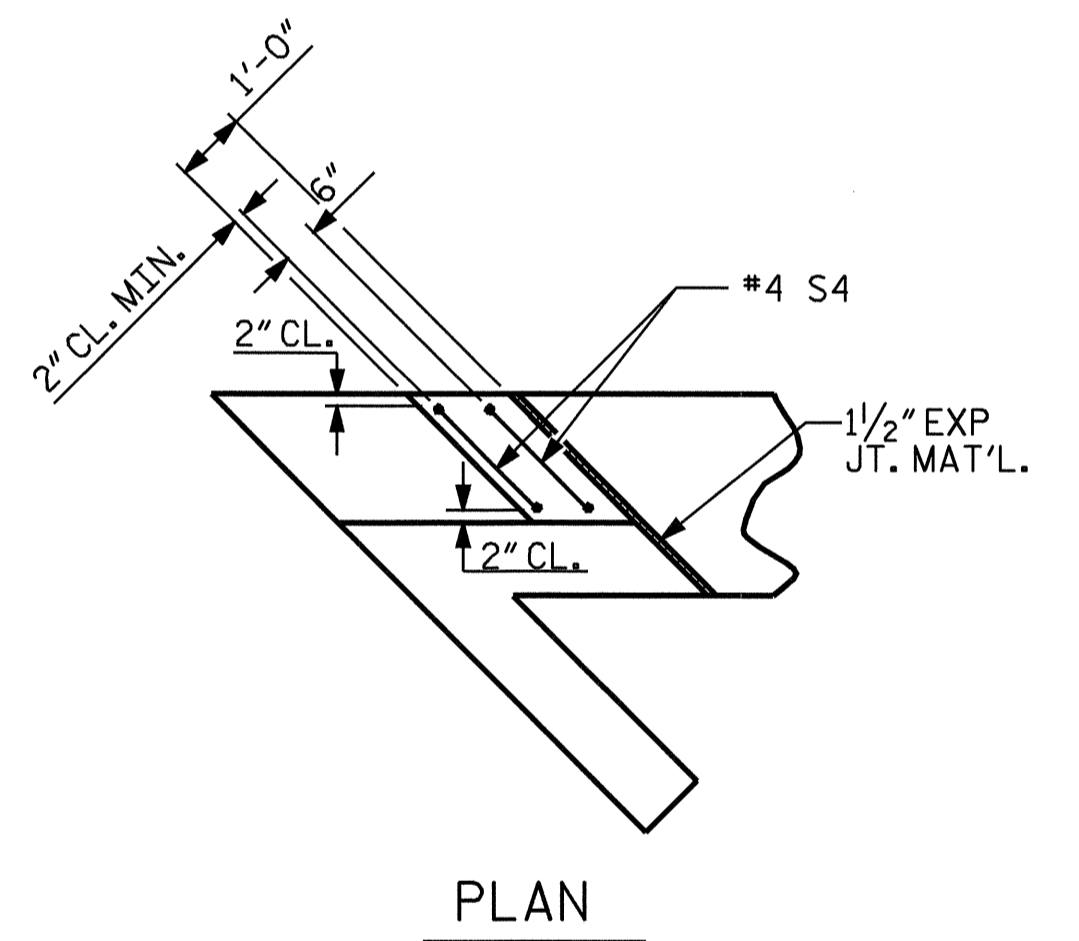


BAGGED STONE AND PIPE SHALL BE PLACED IMMEDIATELY AFTER COMPLETION OF END BENT EXCAVATION. PIPE MAY BE EITHER CONCRETE, CORRUGATED STEEL, CORRUGATED ALUMINUM ALLOY, OR CORRUGATED PLASTIC. PERFORATED PIPE WILL NOT BE ALLOWED.

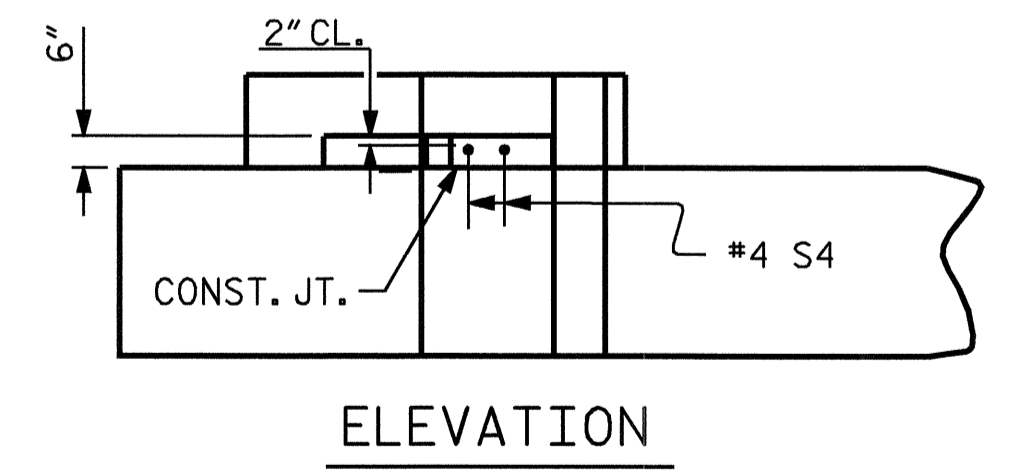
BAGGED STONE SHALL REMAIN IN PLACE UNTIL THE ENGINEER DIRECTS THAT IT BE REMOVED. THE CONTRACTOR SHALL REMOVE AND DISPOSE OF SILT ACCUMULATIONS AT BAGGED STONE WHEN SO DIRECTED BY THE ENGINEER. BAGS SHALL BE REMOVED AND REPLACED WHENEVER THE ENGINEER DETERMINES THAT THEY HAVE DETERIORATED AND LOST THEIR EFFECTIVENESS.

NO SEPARATE PAYMENT WILL BE MADE FOR THIS WORK AND THE ENTIRE COST OF THIS WORK SHALL BE INCLUDED IN THE UNIT CONTRACT PRICE BID FOR THE SEVERAL PAY ITEMS.

TEMPORARY DRAINAGE AT END BENT

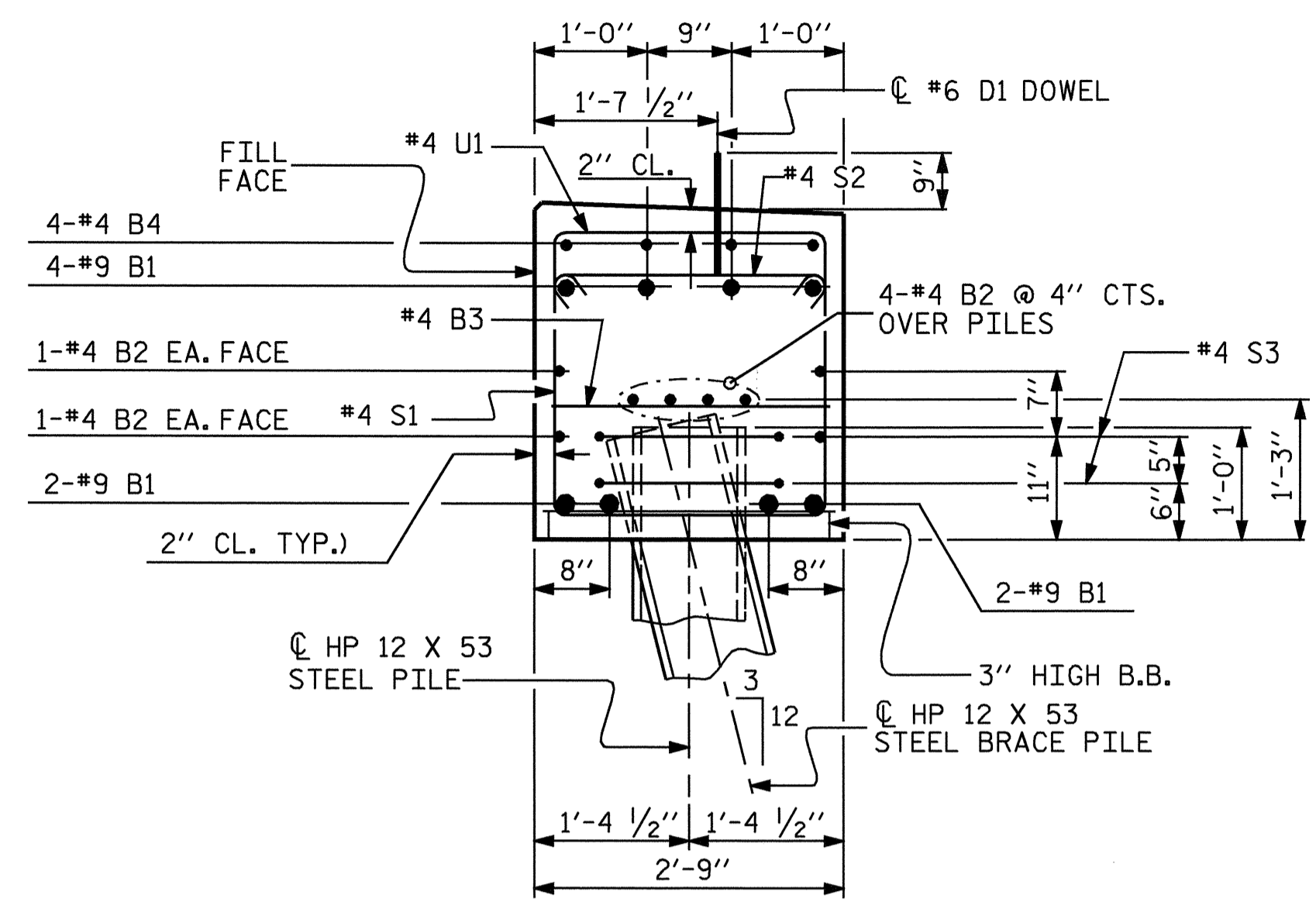


PLAN

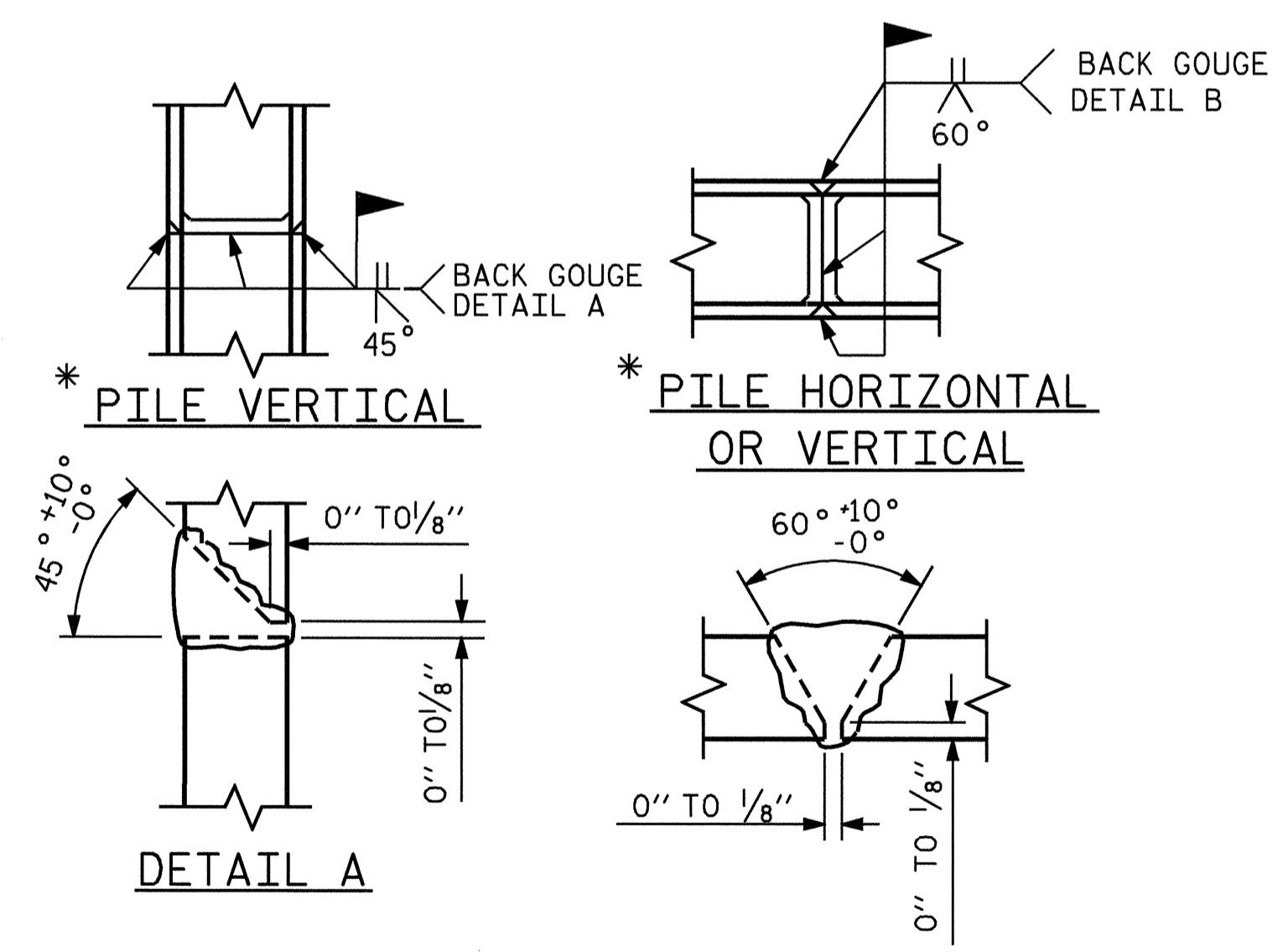


ELEVATION

LATERAL GUIDE DETAILS  
(EACH END SIMILAR)



SECTION A-A



\* POSITION OF PILE DURING WELDING.

PILE SPLICE DETAILS

BAR TYPES		BILL OF MATERIAL			
END BENT No. 2					
BAR NO.	SIZE	TYPE	LENGTH	WEIGHT	
B1	8	9	1	40'-2"	1093
B2	16	4	STR	20'-2"	216
B3	9	4	STR	2'-5"	15
B4	4	4	STR	10'-0"	27
D1	18	6	STR	1'-6"	41
H1	6	4	2	7'-0"	28
H2	6	4	2	6'-7"	26
H3	5	4	3	5'-9"	19
H4	5	4	3	6'-2"	21
K1	8	4	STR	3'-0"	16
S1	34	4	4	7'-5"	168
S2	34	4	5	3'-2"	72
S3	14	4	7	6'-6"	61
S4	4	4	6	4'-7"	12
U1	7	4	6	5'-5"	25
V1	22	4	STR	4'-5"	65
V2	20	4	STR	4'-1"	55
REINFORCING STEEL				LBS.	1960
CLASS A CONCRETE BREAKDOWN:					
POUR #1 - (CAP & LOWER WINGS)				11.8	C. Y.
POUR #2 - (UPPER WINGS)				1.1	C. Y.
POUR #3 - (LATERAL GUIDES)				0.1	C. Y.
TOTAL				13.0	C. Y.
HP 12 X 53 STEEL PILES					
No. 7				70	LIN. FT.

ALL BAR DIMENSIONS ARE OUT TO OUT.

PROJECT NO. B-3709  
WATAUGA COUNTY  
 STATION: 16+99.00 -L-

SHEET 3 OF 3

STATE OF NORTH CAROLINA  
 DEPARTMENT OF TRANSPORTATION  
 RALEIGH  
 SUBSTRUCTURE  
 END BENT No. 2



REVISIONS						SHEET NO.
NO.	BY:	DATE:	NO.	BY:	DATE:	S-18
1			3			TOTAL SHEETS
2			4			23

DRAWN BY: R. G. EMERSON DATE: 10/04  
 CHECKED BY: A. R. CHESSON DATE: 11/04