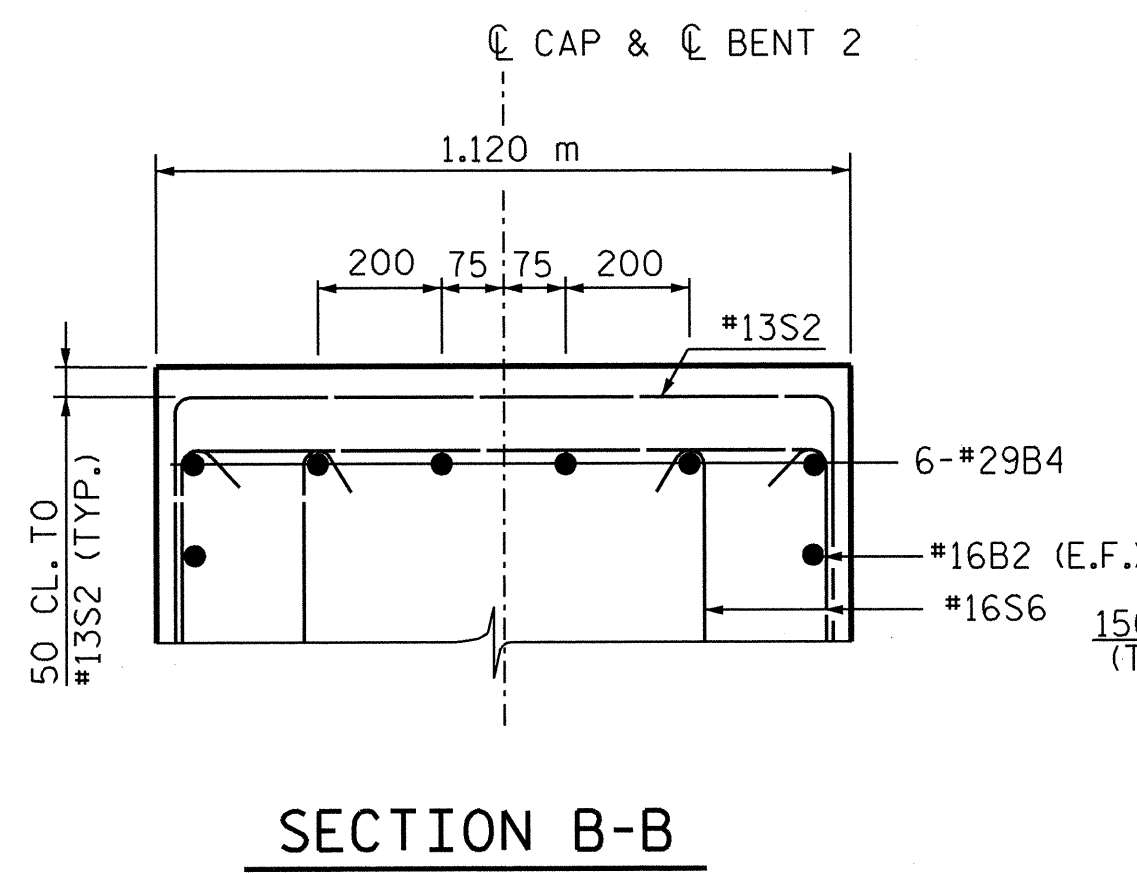
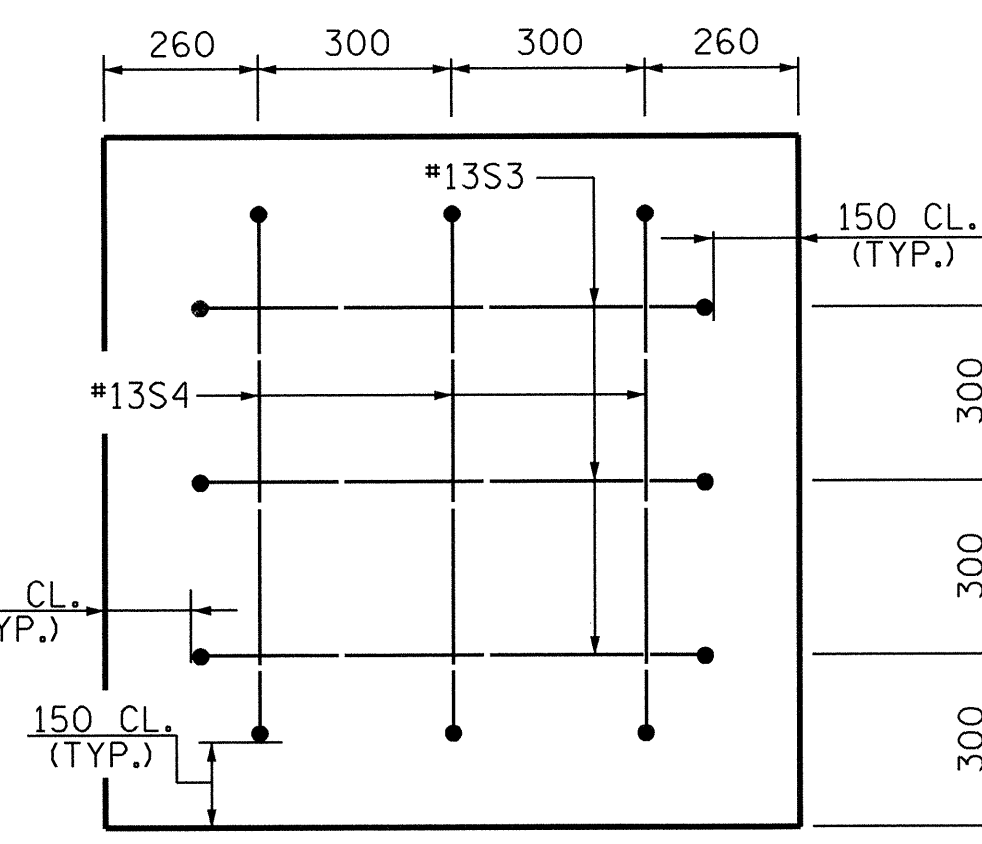


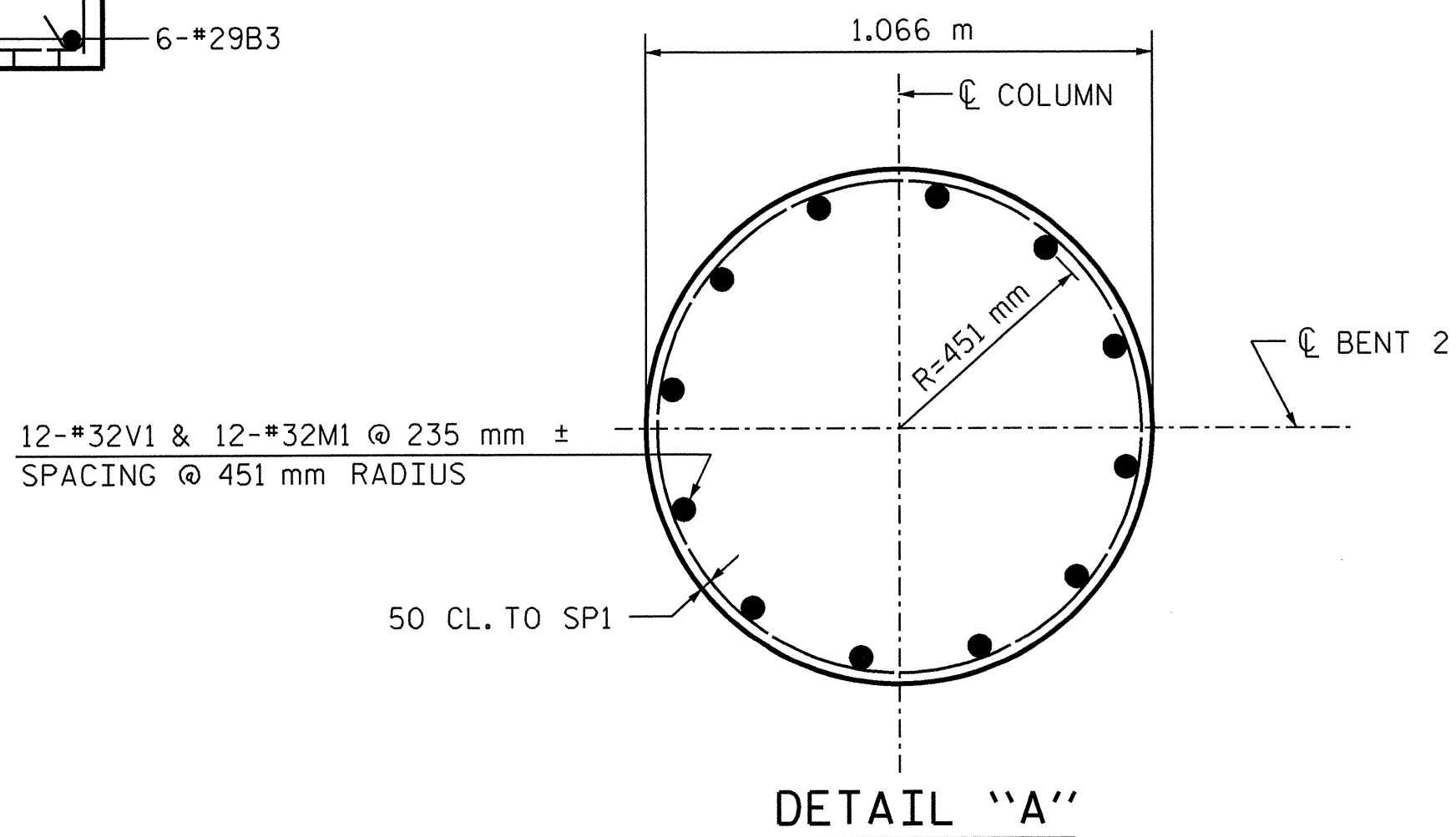
SECTION A-A



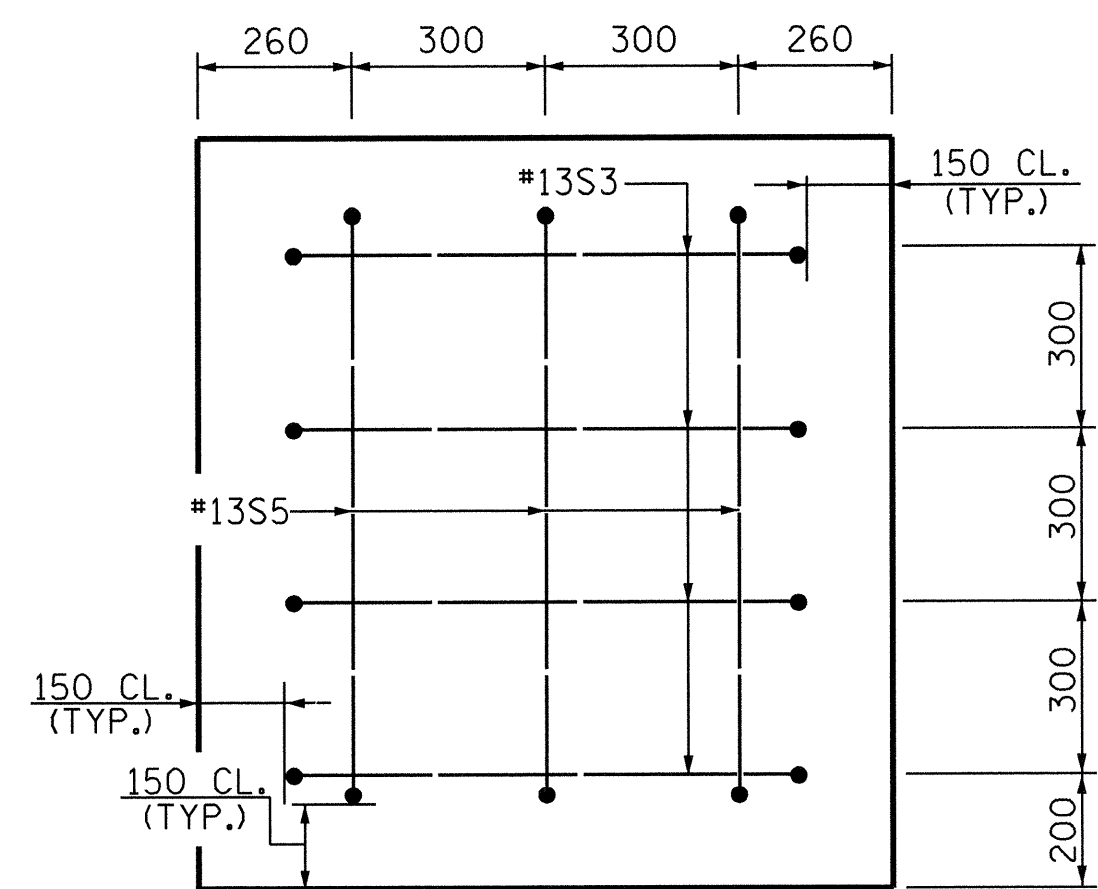
SECTION B-B



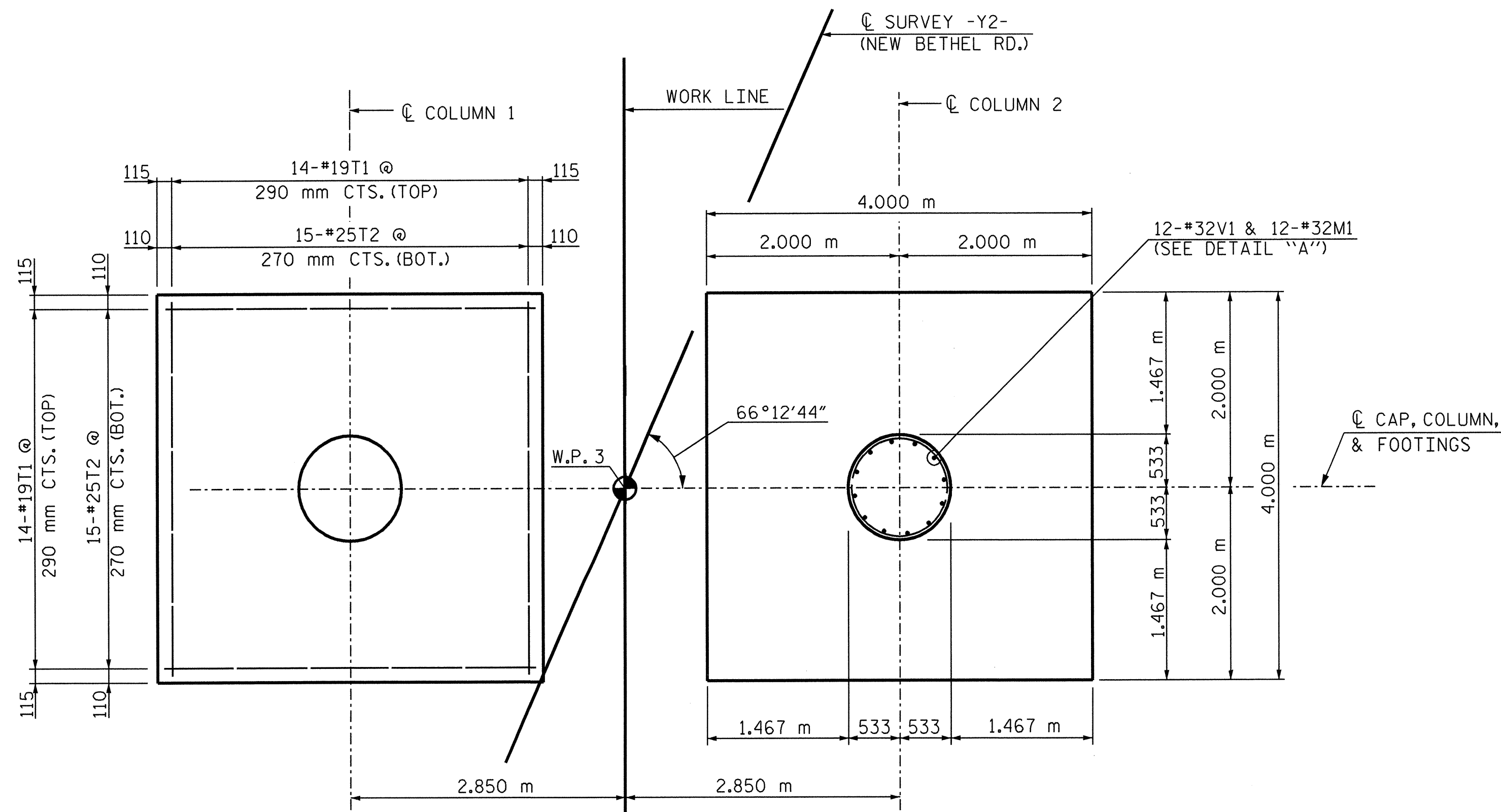
VIEW X-X



DETAIL "A"



VIEW Y-Y



PLAN

(DATA SHOWN TYPICAL FOR ALL FOOTINGS)

BAR TYPES				BILL OF MATERIAL	
BAR	NO.	SIZE	TYPE	LENGTH	WEIGHT
B1	6	#29		8600	261
B2	8	#16	STR.	9100	113
B3	6	#29	STR.	9100	276
B4	6	#29		3920	119
M1	24	#32		4240	652
S1	32	#16		3280	163
S2	24	#13		1980	47
S3	7	#13		1420	10
S4	3	#13		1500	4
S5	3	#13		1640	5
S6	24	#16		3480	130
T1	56	#19	STR.	3840	481
T2	60	#25	STR.	3840	915
V1	24	#32		6640	1,021
SP1	2	**		236600	470
REINFORCING STEEL				4,197	kg
SPIRAL COLUMN					
REINFORCING STEEL				470	kg
CLASS A CONCRETE					
POUR 1 (FOOTINGS)				32.0	m ³
POUR 2 (COLUMNS)				10.0	m ³
POUR 3 (CAP)				13.0	m ³
TOTAL				55.0	m ³
FOUNDATION EXCAVATION				LUMP	SUM

ALL DIMENSIONS ARE OUT TO OUT.

**THE "SP" SPIRAL REINFORCING STEEL SHALL BE W20 OR D-20 COLD DRAWN WIRE OR #13 PLAIN OR DEFORMED BAR.

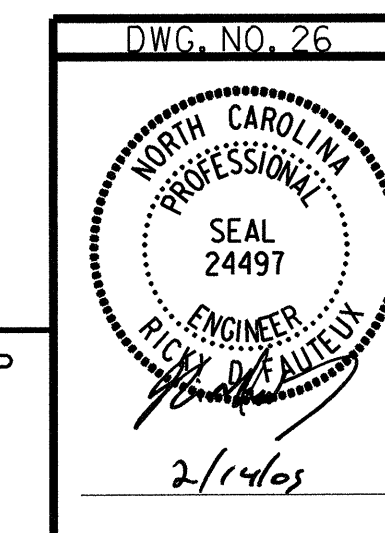
PROJECT NO. R-2552AA
 WAKE / JOHNSTON COUNTY
 STATION: 19+25.877 -I1Y1- P.O.T.

SHEET 2 OF 2

STATE OF NORTH CAROLINA
 DEPARTMENT OF TRANSPORTATION
 RALEIGH

SUBSTRUCTURE
 BENT 2
 DETAILS

JANUARY 2005



RUMMEL, KLEPPER & KAHL, LLP
 consulting engineers
 5800 FARINGTON PLACE - SUITE 105
 RALEIGH, NORTH CAROLINA 27609-3960

REVISIONS				SHEET NO.
NO.	BY:	DATE:	NO.	DATE:
1			3	
2			4	

DRAWN BY: B. PARRISH DATE: 01/05
 CHECKED BY: R. D. FAUTEUX DATE: 01/05

G:\COMNOS\304046\BRIDGE\SITE\INDGN\FINAL\R2552AA-SD-B22-01.DGN