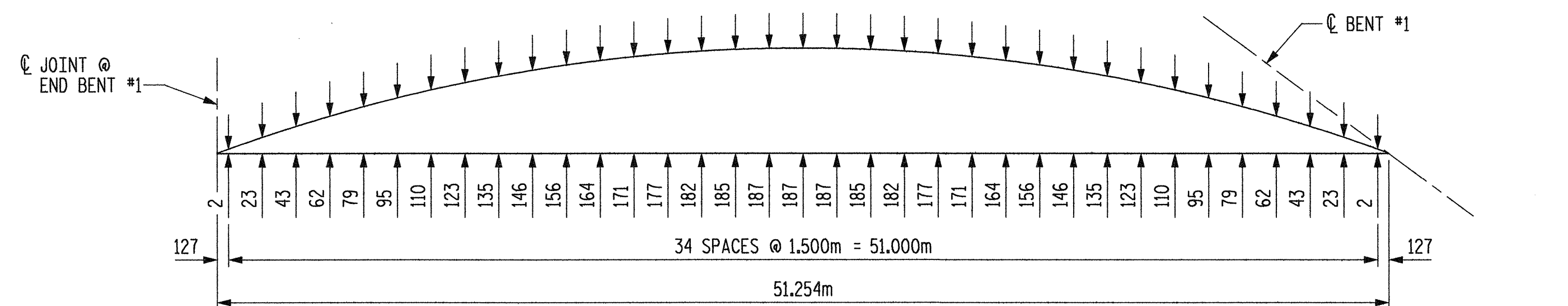


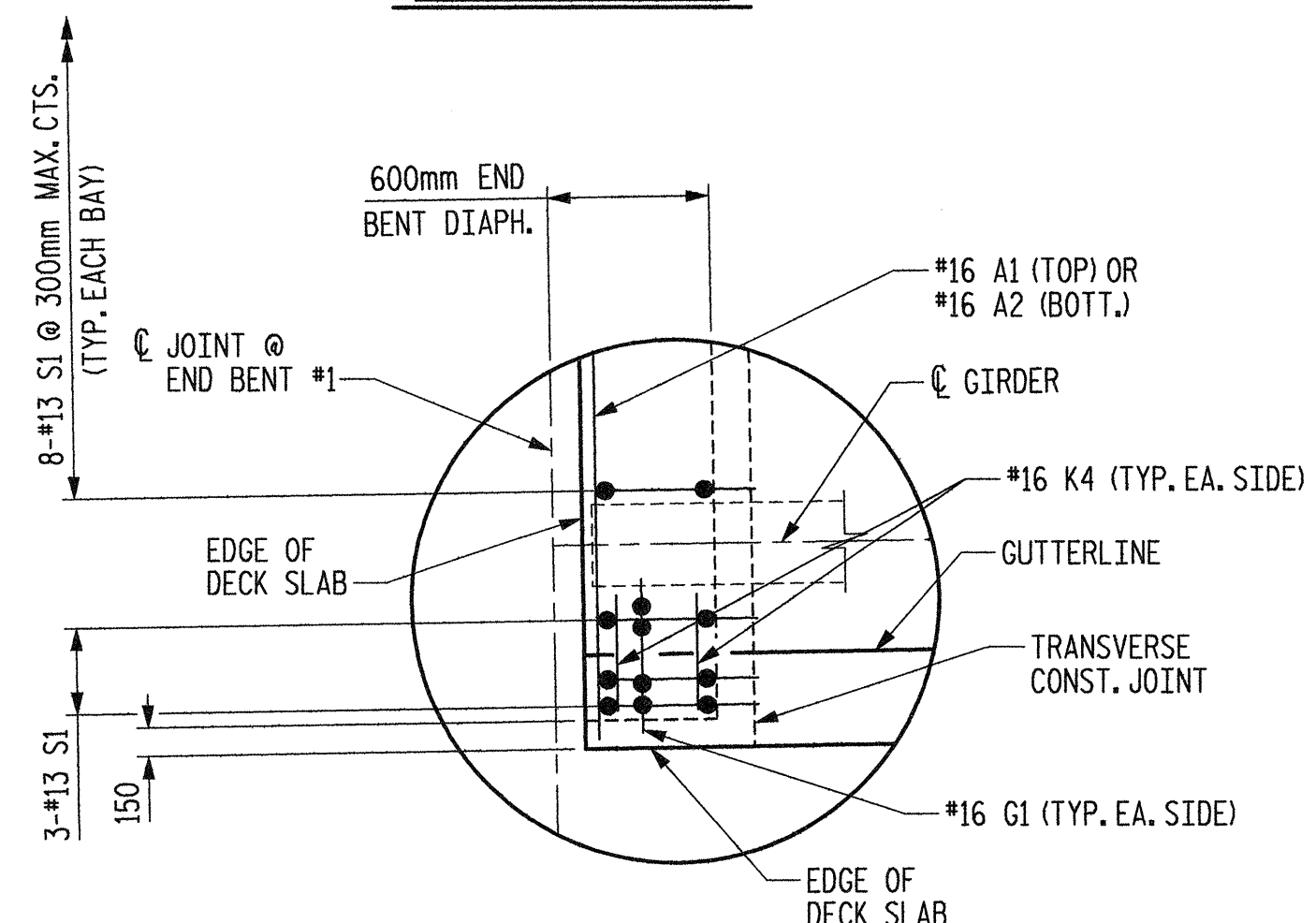
* NORMAL OR RADIAL TO C SURVEY -LPB-
INDICATES POUR NUMBER AND DIRECTION OF POUR

PLAN OF SPAN "A"

▲ ARC LENGTH MEASURED ALONG C SURVEY -LPB-

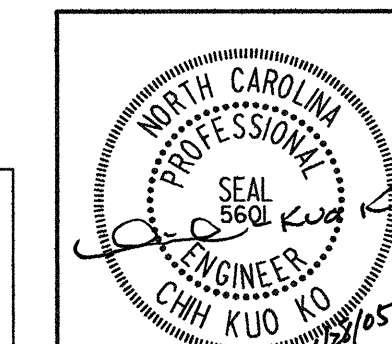
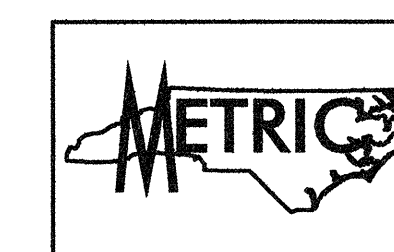


SPAN "A" - LEFT SIDE



DETAIL "B"

Plans prepared by:
KO & ASSOCIATES, P.C.
Consulting Engineers
1011 SCHAUB DR. SUITE #202
RALEIGH, N.C. 27606
For Division of Highways



NOTES

- TRANSVERSE REINFORCING STEEL SHALL BE PLACED NORMAL OR RADIAL TO C SURVEY -LPB-, UNLESS OTHERWISE NOTED.
- FOR REINFORCING STEEL IN BARRIER RAIL NOT SHOWN, SEE "STANDARD CONCRETE BARRIER RAIL" SHEET.
- FOR CONTINUATION OF REINFORCING STEEL, SEE SUPERSTRUCTURE PLAN OF SPAN "B", SUPERSTRUCTURE PLAN OF SPAN "C" AND SUPERSTRUCTURE PLAN OF SPAN "D".
- FOR TRANSVERSE CONSTRUCTION JOINT IN DECK SLAB DETAIL, SEE SUPERSTRUCTURE "TYPICAL SECTION AND DETAILS", SHEET 2 OF 2.
- THE "S" BARS IN THE DECK MAY BE SHIFTED SLIGHTLY TO CLEAR THE MODULAR JOINT SUPPORT BOXES.
- FOR TOP AND BOTTOM "B" BARS NOT SHOWN, SEE SUPERSTRUCTURE "B" BAR LAYOUT SHEET.

PROJECT NO. R-2552AA
WAKE-JOHNSTON COUNTY
STATION: 27+51.601 -I1Y1-

SHEET 1 OF 4

STATE OF NORTH CAROLINA
DEPARTMENT OF TRANSPORTATION
RALEIGH

**SUPERSTRUCTURE
PLAN OF SPAN "A"**

REVISIONS						SHEET NO.
NO.	BY:	DATE:	NO.	BY:	DATE:	TOTAL SHEETS
1			3			5-44
2			4			429

DWG. NO. 8

PLT: 01/20/2005
FILE NAME: r1\2552aa.dwg

DRAWN BY: B.E. LANNING DATE: JAN. 2005
CHECKED BY: J.C. KO / A.K. ORR DATE: JAN. 2005