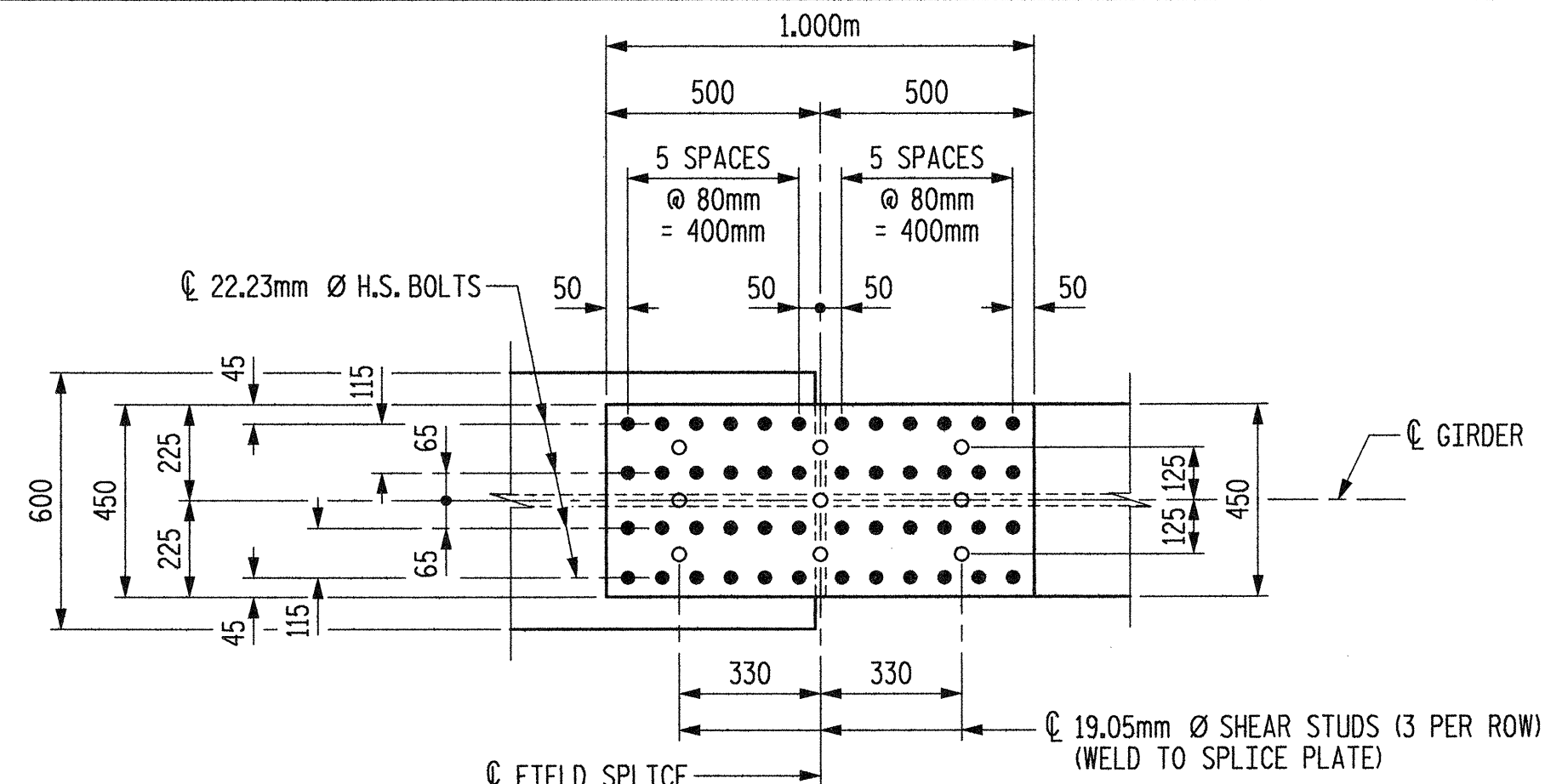
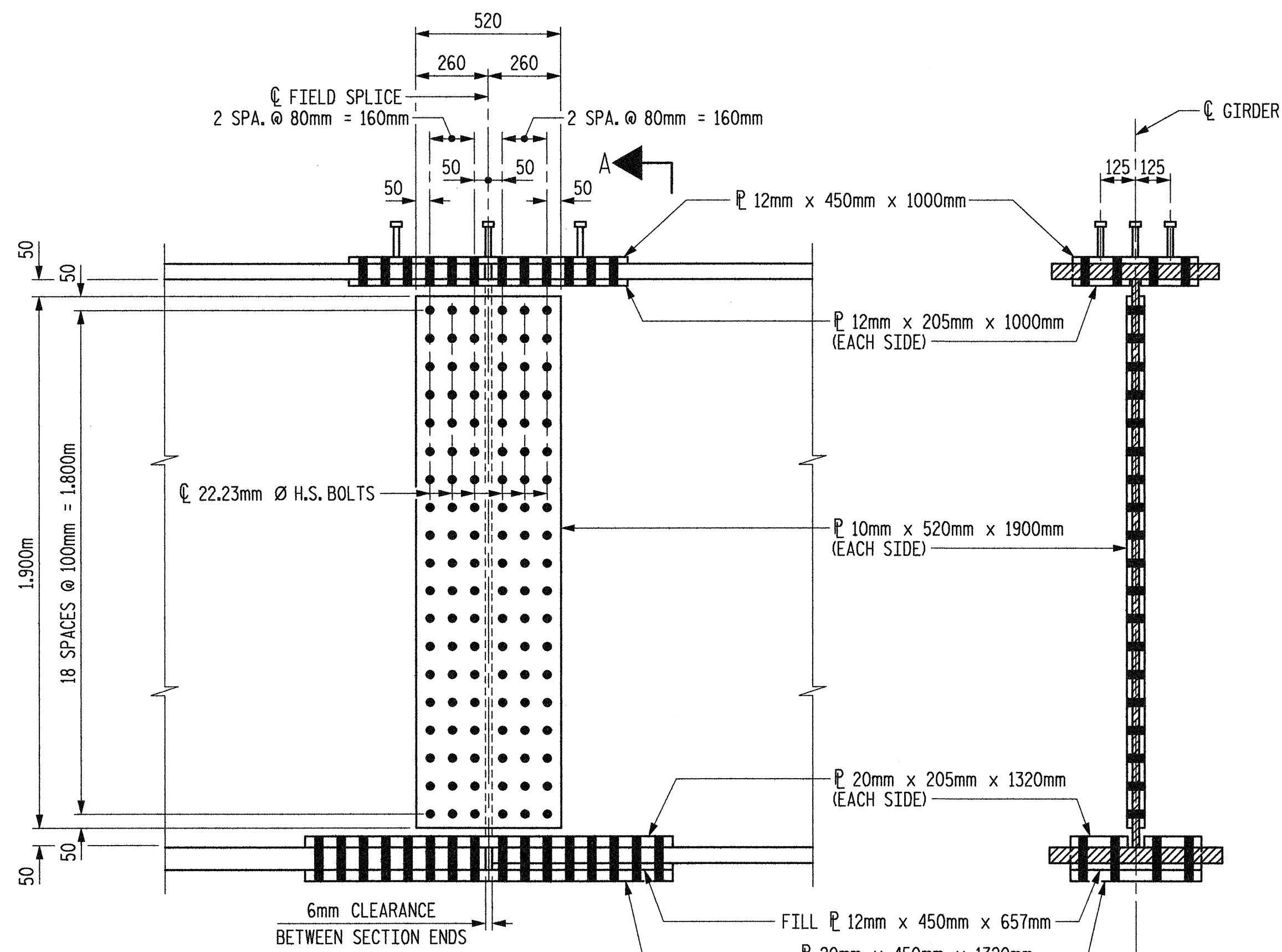


TOP FLANGE PLATE

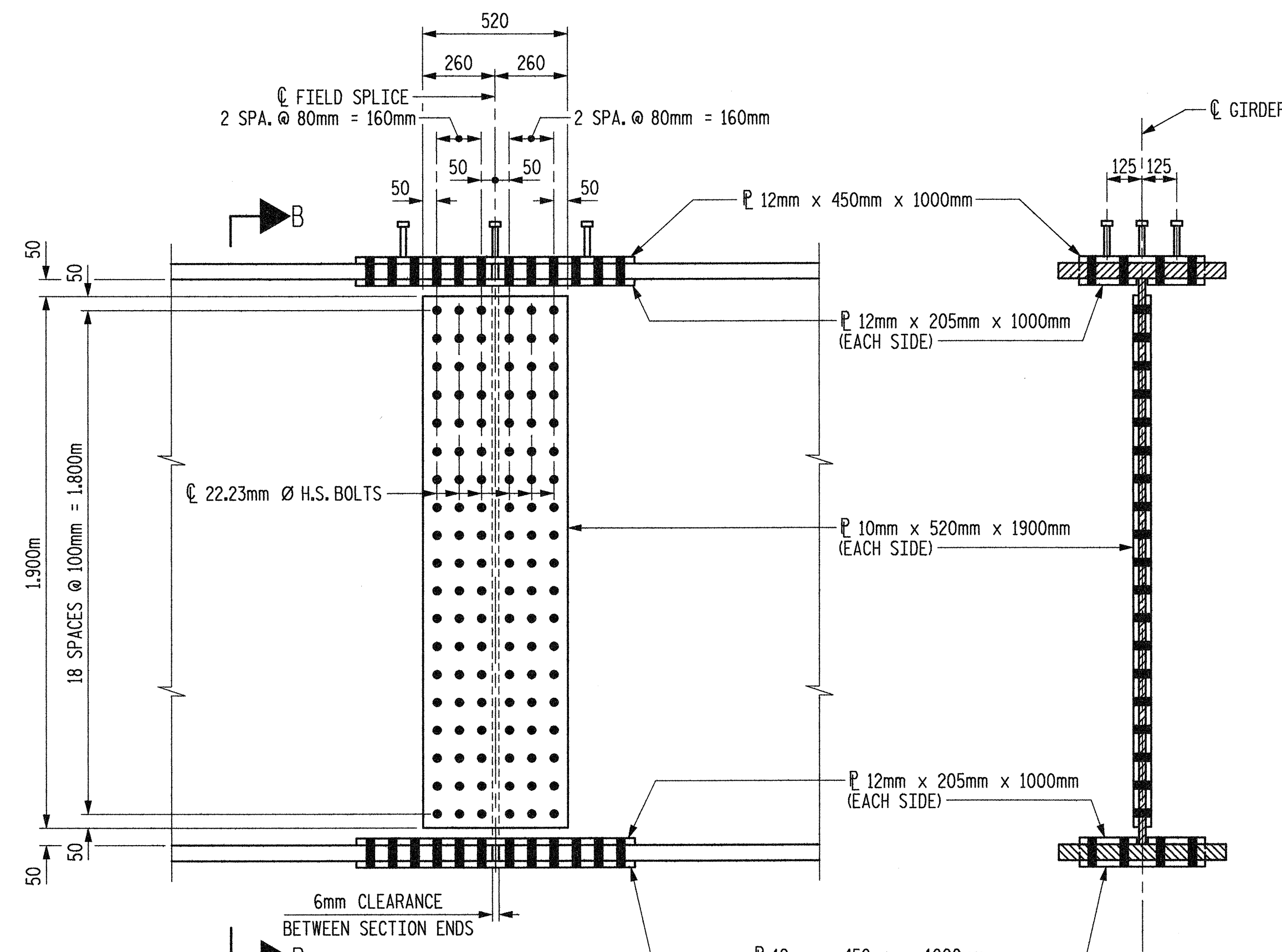


TOP FLANGE PLATE



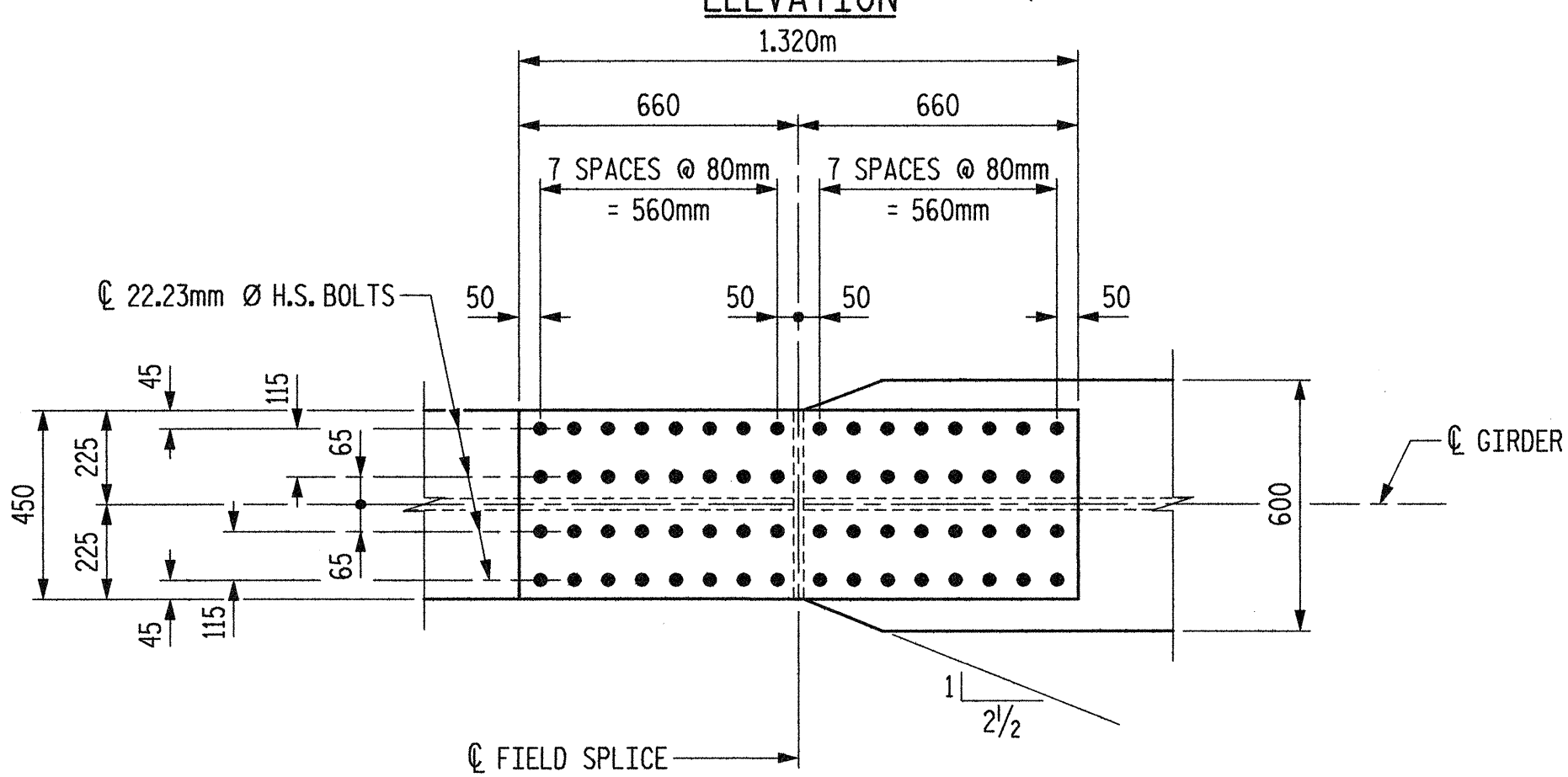
ELEVATION

SECTION A-A

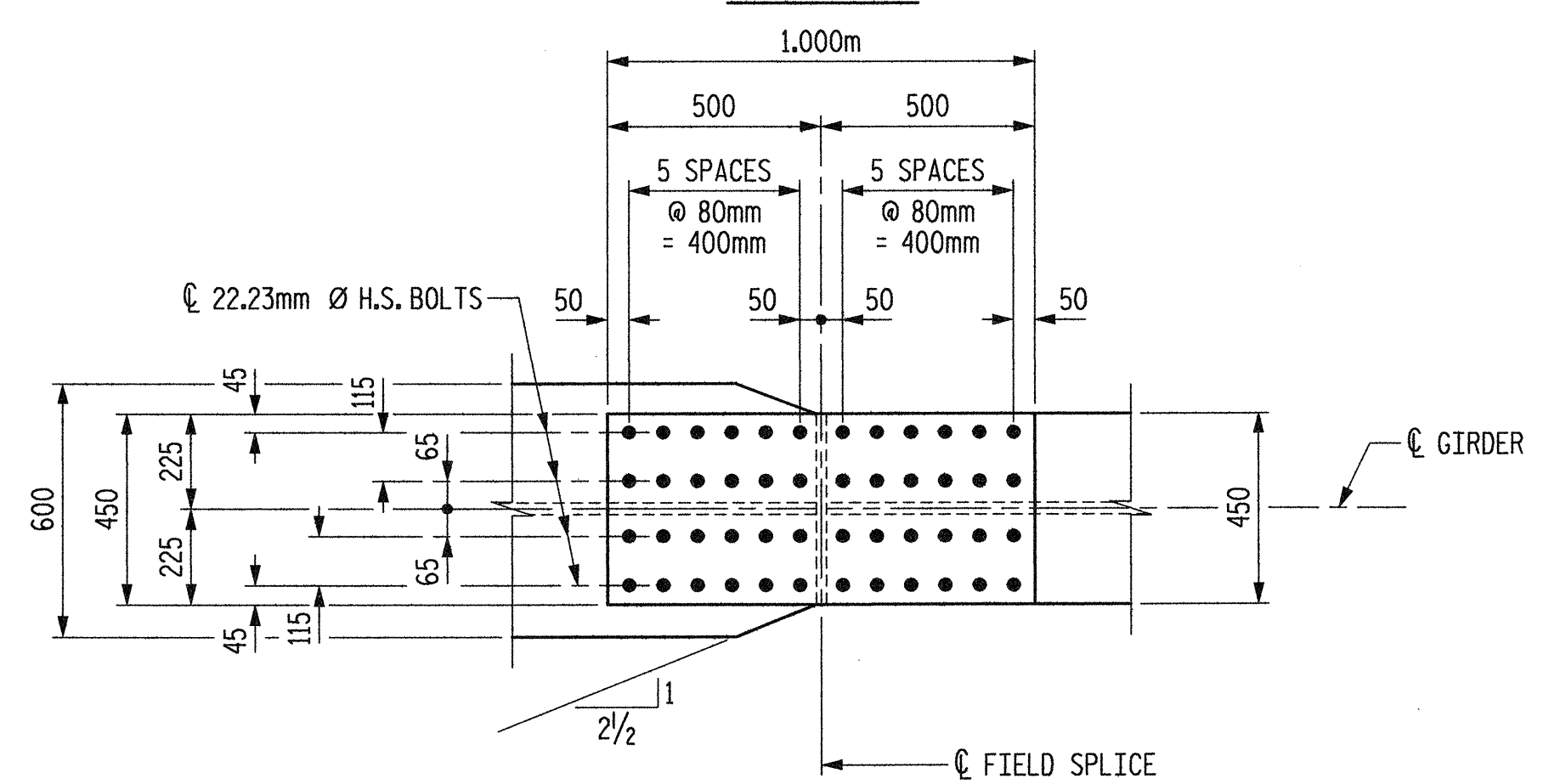


ELEVATION

SECTION B-B



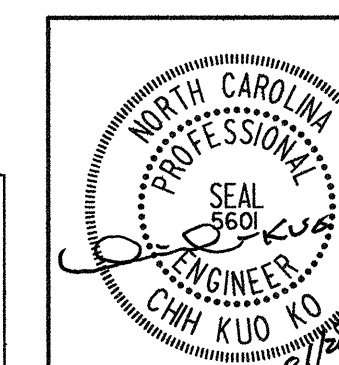
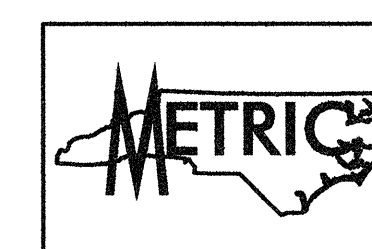
BOTTOM FLANGE PLATE  
FIELD SPLICE DETAILS - FS1



BOTTOM FLANGE PLATE  
FIELD SPLICE DETAILS - FS2

PROJECT NO. R-2552AA  
WAKE-JOHNSTON COUNTY  
STATION: 27+51.601 -I1Y1-

SHEET 3 OF 3



STATE OF NORTH CAROLINA  
DEPARTMENT OF TRANSPORTATION  
RALEIGH

SUPERSTRUCTURE  
STRUCTURAL STEEL DETAILS

Plans prepared by:  
**KO & ASSOCIATES, P.C.**  
Consulting Engineers  
1011 SCHAUH DR., SUITE #202  
RALEIGH, N.C. 27606  
For Division of Highways

REVISIONS						SHEET NO.
NO.	BY:	DATE:	NO.	BY:	DATE:	TOTAL SHEETS
1			3			5-53
2			4			429

DWG. NO. 17

PL01: 01/29/2005 07:16:15 AM Ko & Associates, P.C.  
FILE NAME: r:\v2552aa\_s3.dwg

DRAWN BY: B.E. LANNING DATE: JAN. 2005  
CHECKED BY: J.C. KO / A.K. ORR DATE: JAN. 2005