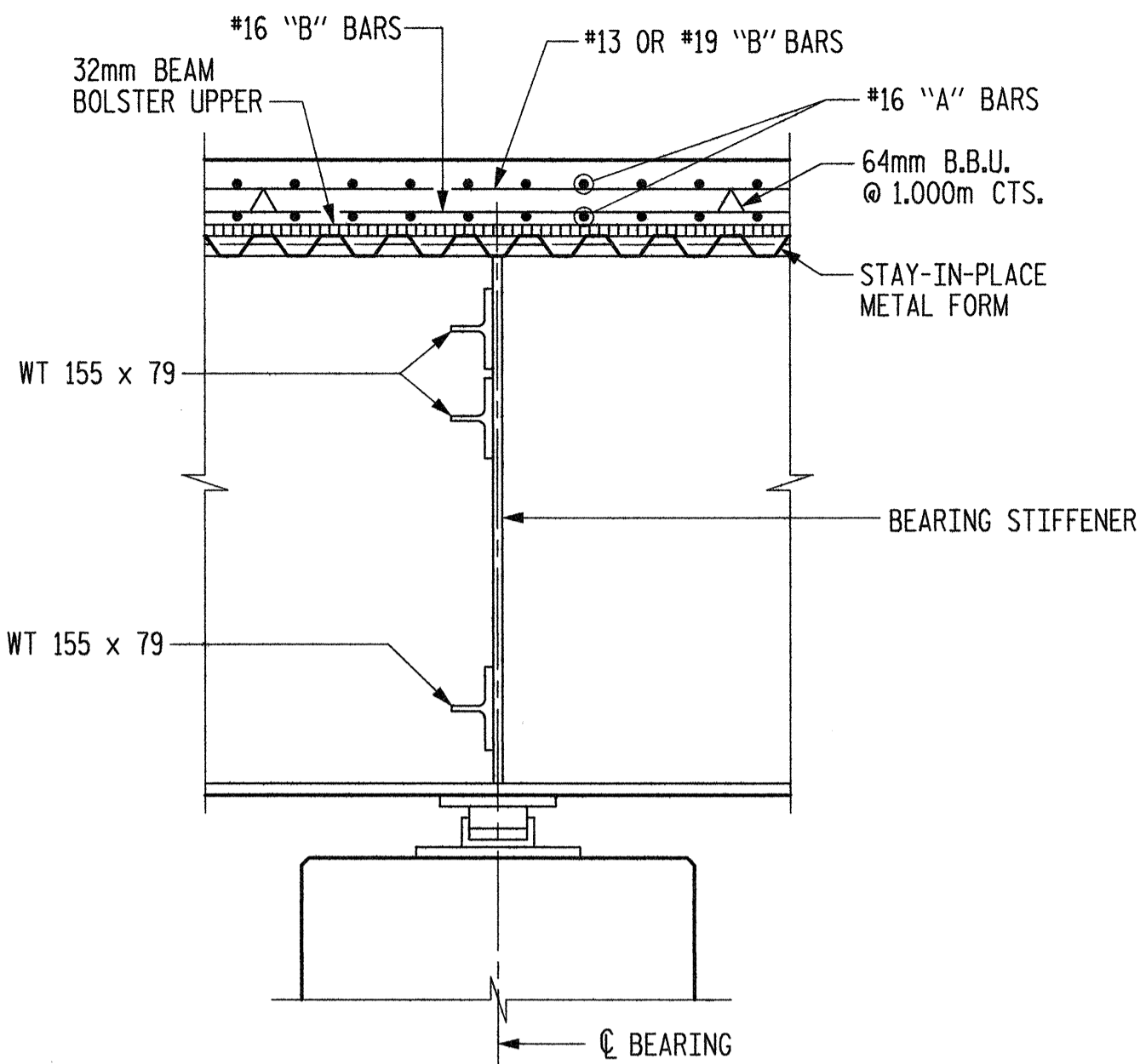
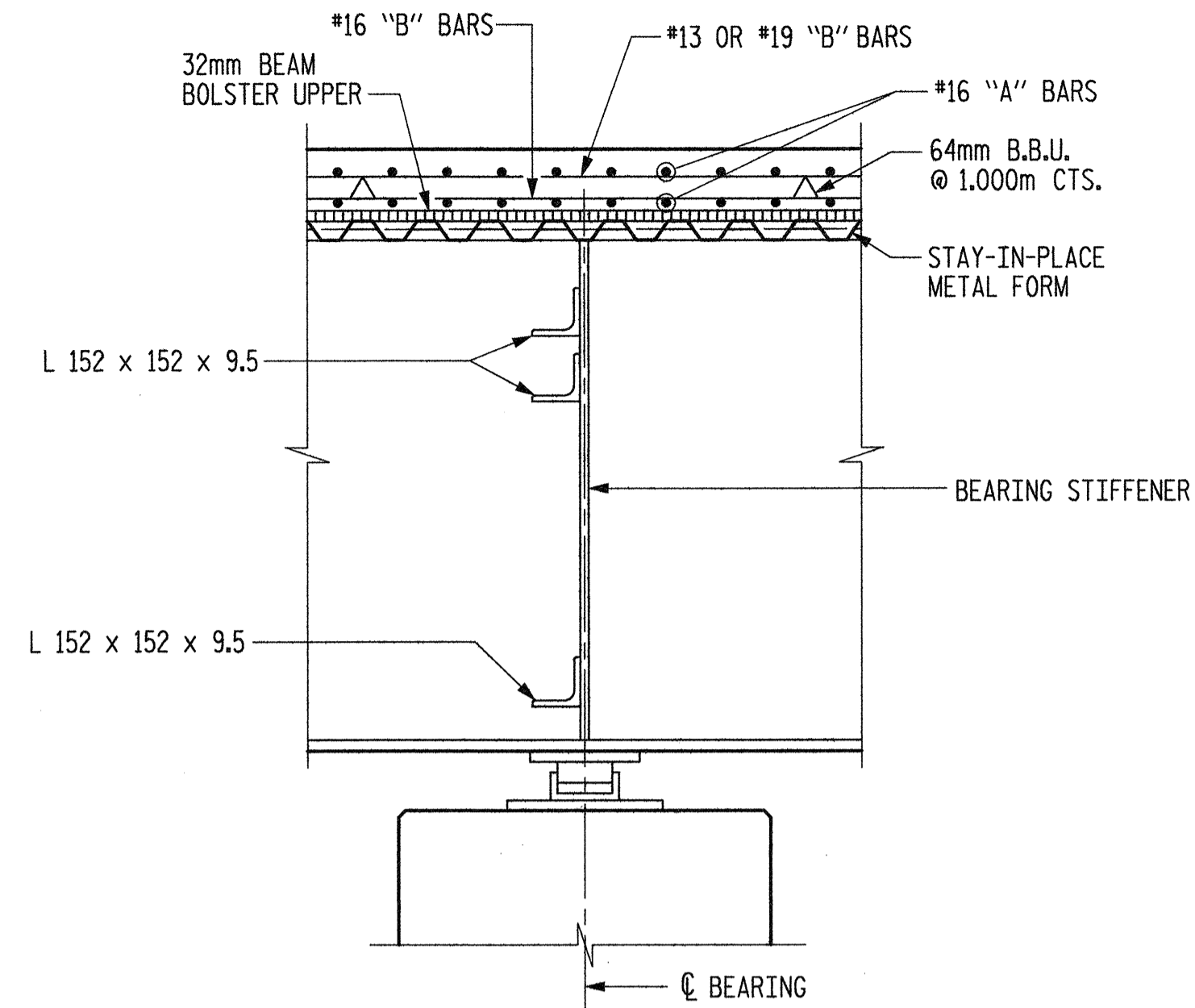


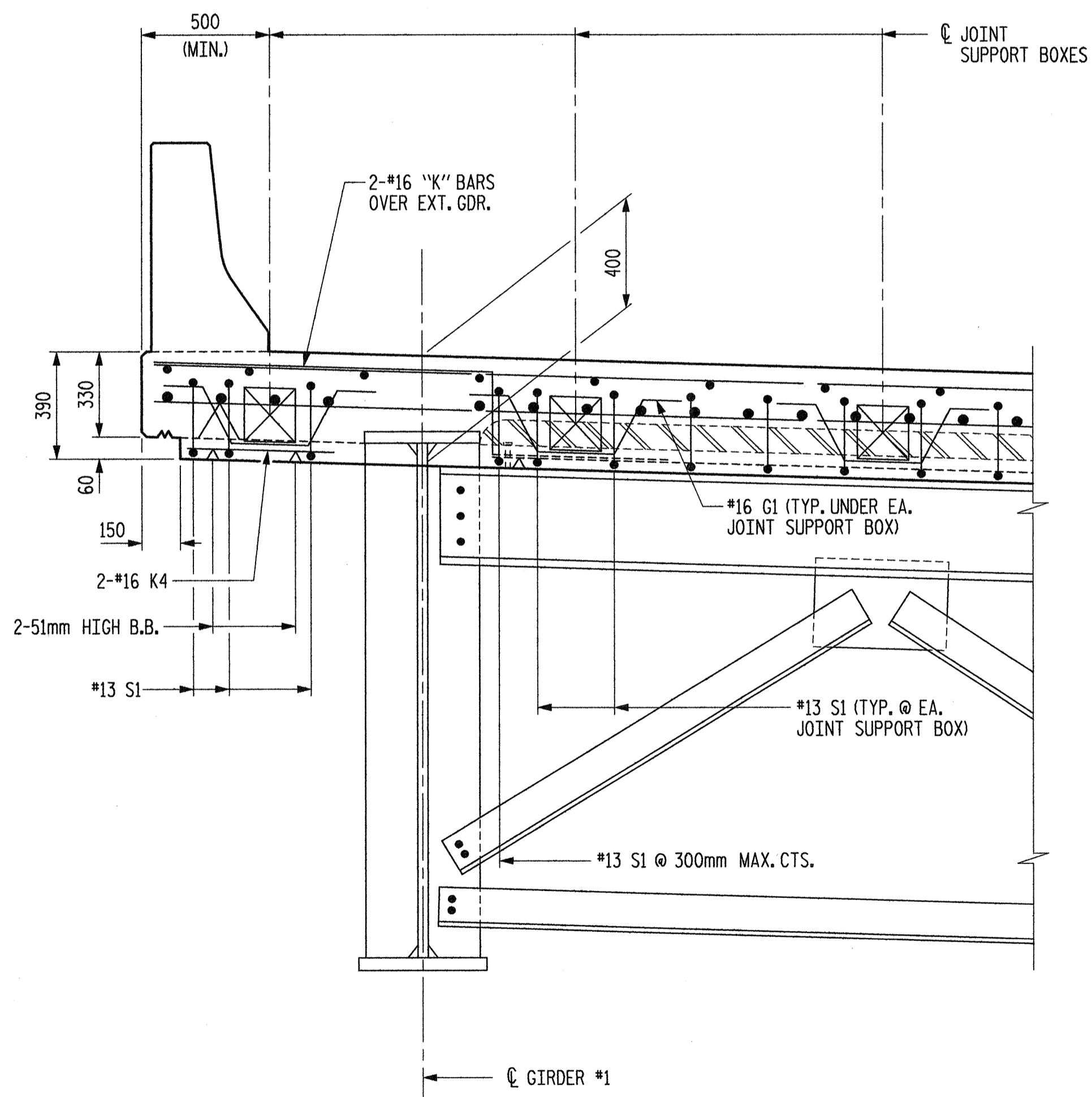
END OF GIRDER DETAIL AT END BENT #1
END BENT #2 SIMILAR BY ROTATION



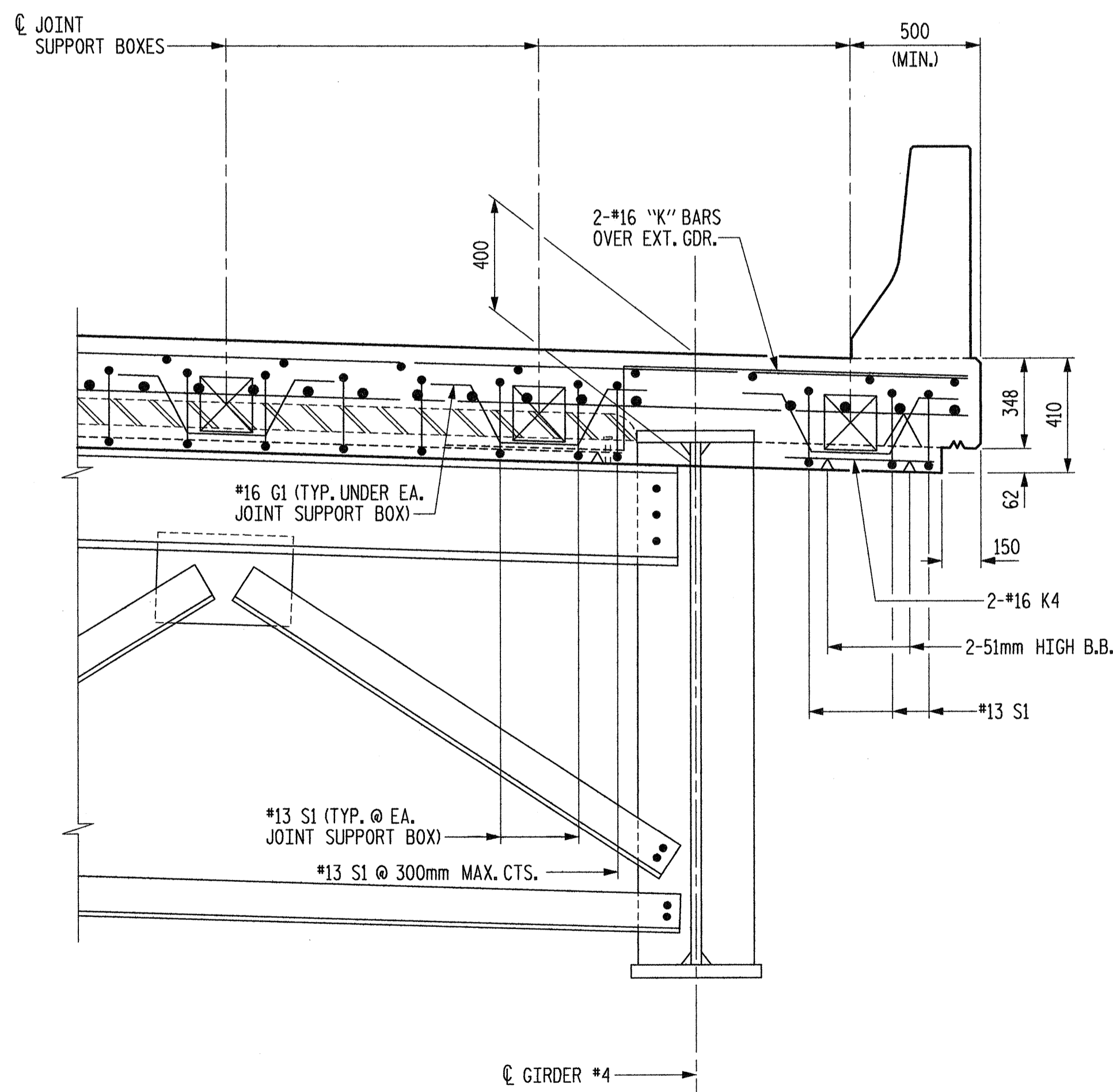
SECTION THRU BENT #1



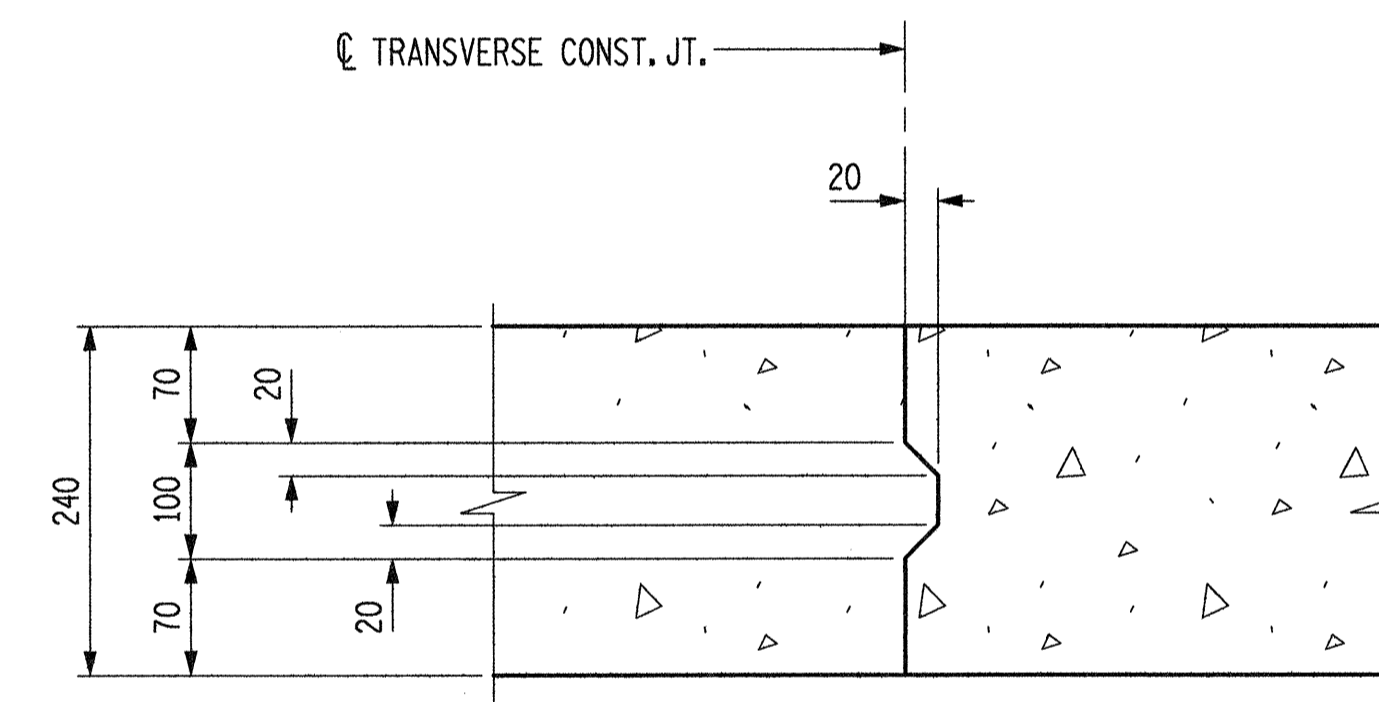
SECTION THRU BENT #2, BENT #3 & BENT #4



HIGH SIDE DROPWALL DETAIL



LOW SIDE DROPWALL DETAIL



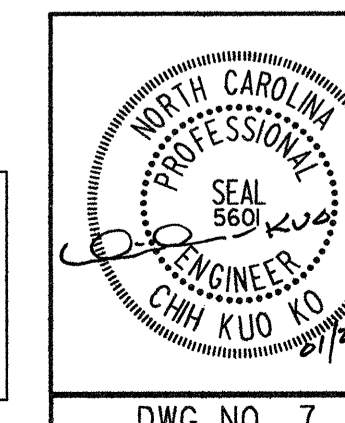
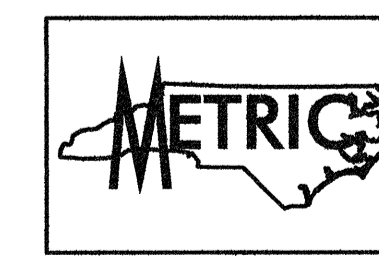
TRANSVERSE CONSTRUCTION JOINT IN DECK SLAB

NOTE:
REINFORCING STEEL IN SLAB NOT SHOWN.
LONGITUDINAL REINFORCING STEEL SHALL BE CONTINUOUS THROUGH JOINT.

DROPWALL DETAILS - END BENT CROSSFRAME
(AT MODULAR EXPANSION JOINT AT END BENTS #1 & #2)

PROJECT NO. R-2552AA
WAKE-JOHNSTON COUNTY
STATION: 28+31.359 -I1Y1-

SHEET 2 OF 2



STATE OF NORTH CAROLINA
DEPARTMENT OF TRANSPORTATION
RALEIGH

**SUPERSTRUCTURE
TYPICAL SECTIONS AND DETAILS**

Plans prepared by:
KO & ASSOCIATES, P.C.
Consulting Engineers
1011 SCHUBB DR. SUITE #202
RALEIGH, N.C. 27606
For Division of Highways

| REVISIONS | | | | | | SHEET NO. |
|-----------|-----|-------|-----|-----|-------|--------------|
| NO. | BY: | DATE: | NO. | BY: | DATE: | TOTAL SHEETS |
| 1 | | | 3 | | | 5-90 |
| 2 | | | 4 | | | 429 |

DWG. NO. 7