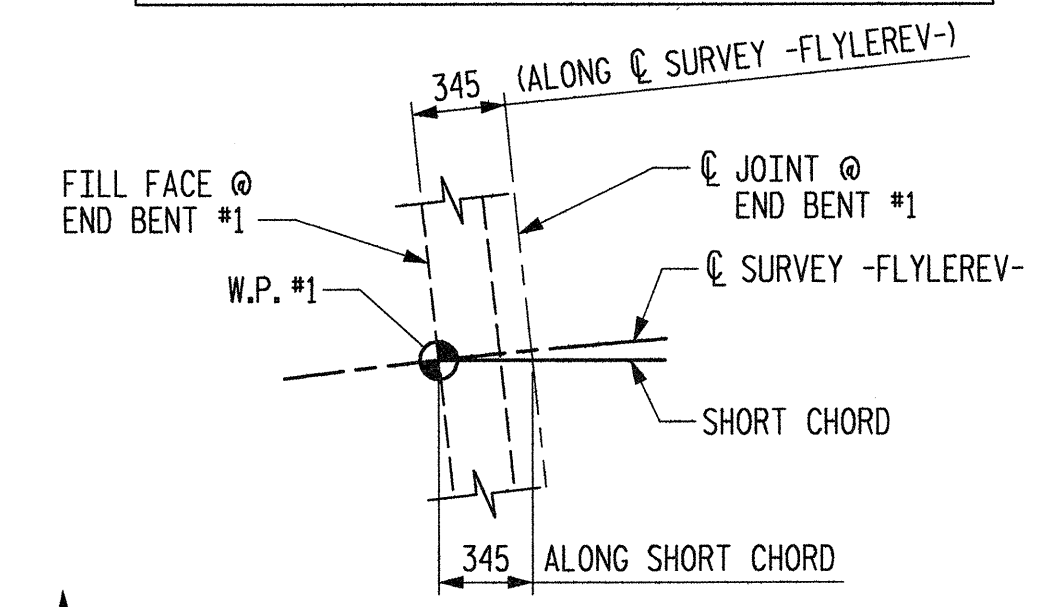


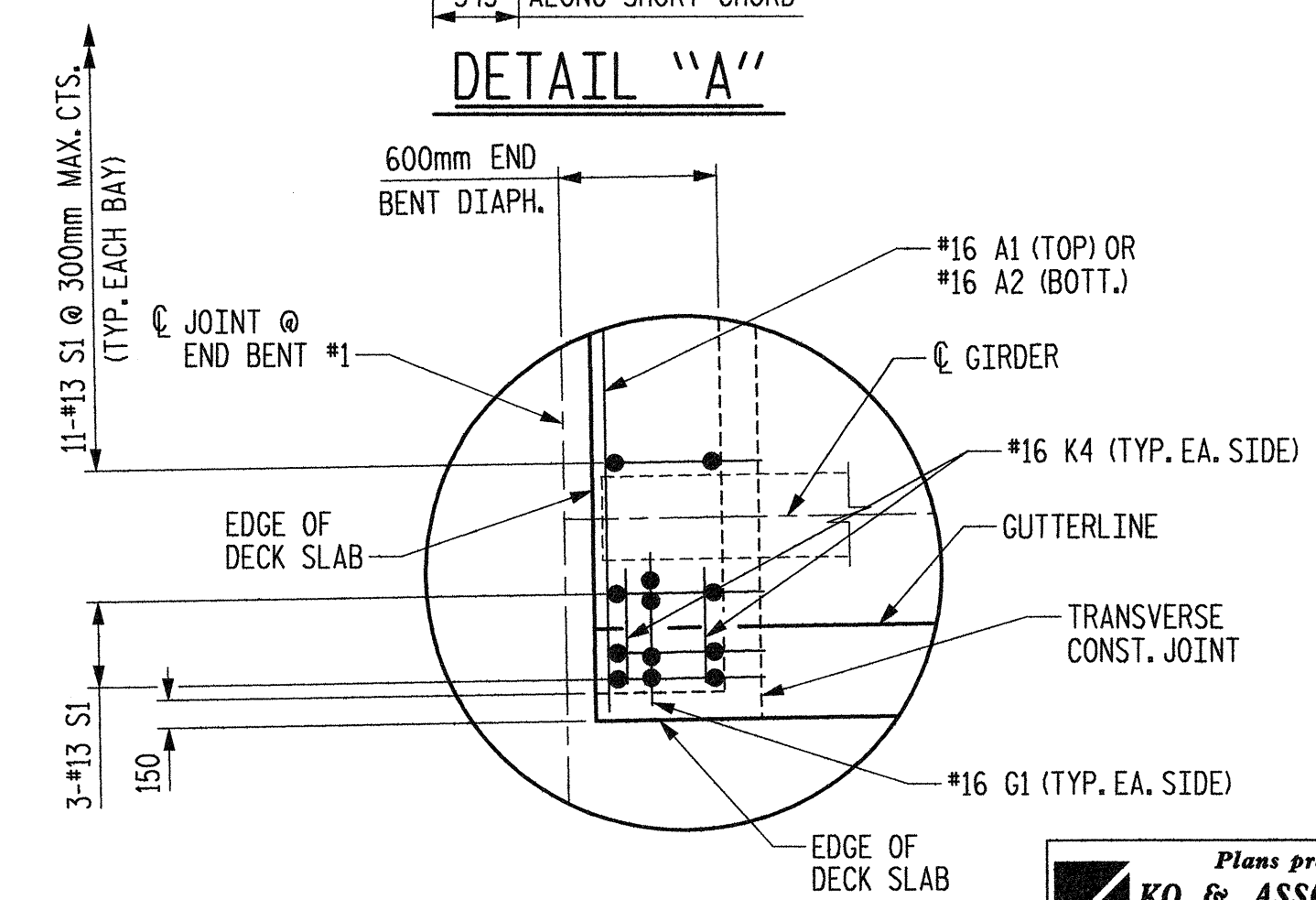
* NORMAL OR RADIAL TO CL SURVEY -FLYLEREV-
 # INDICATES POUR NUMBER AND DIRECTION OF POUR

PLAN OF SPAN "A"

▲ ARC LENGTH MEASURED ALONG CL SURVEY -FLYLEREV-



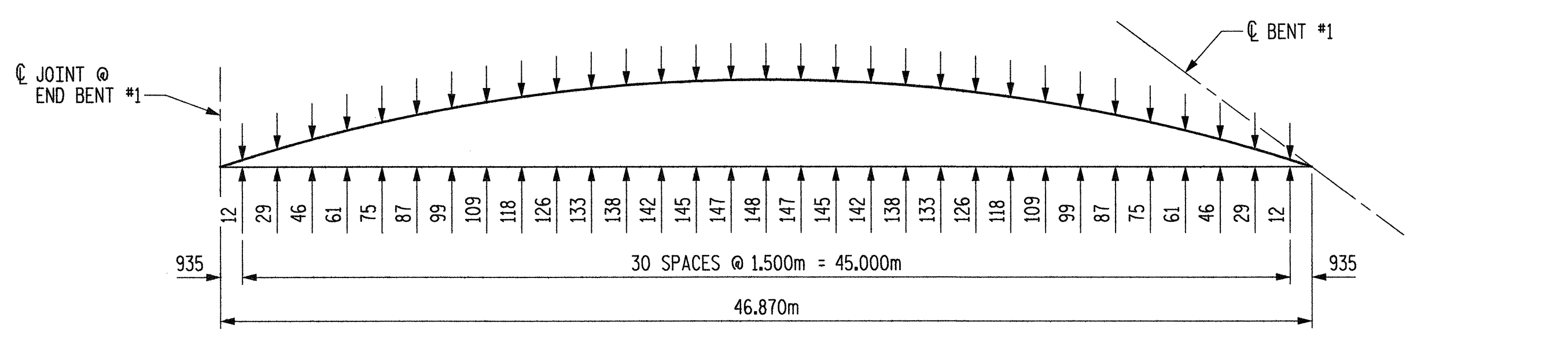
DETAIL "A"



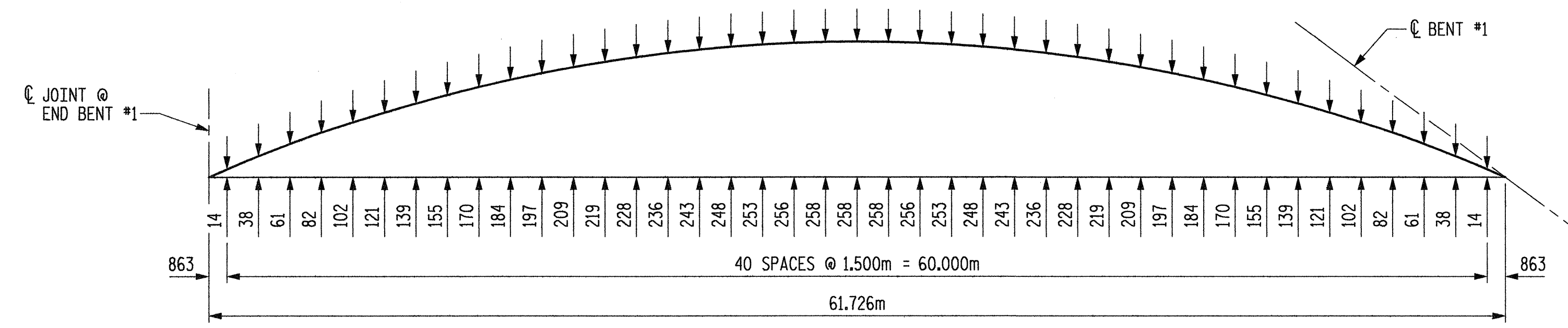
DETAIL "B"

NOTES

- TRANSVERSE REINFORCING STEEL SHALL BE PLACED NORMAL OR RADIAL TO CL SURVEY -FLYLEREV-, UNLESS OTHERWISE NOTED.
- FOR REINFORCING STEEL IN BARRIER RAIL NOT SHOWN, SEE "STANDARD CONCRETE BARRIER RAIL" SHEET.
- FOR CONTINUATION OF REINFORCING STEEL, SEE SUPERSTRUCTURE PLAN OF SPAN "B", SUPERSTRUCTURE PLAN OF SPAN "C", SUPERSTRUCTURE PLAN OF SPAN "D" AND SUPERSTRUCTURE PLAN OF SPAN "E".
- FOR TRANSVERSE CONSTRUCTION JOINT IN DECK SLAB DETAIL, SEE SUPERSTRUCTURE "TYPICAL SECTION AND DETAILS", SHEET 2 OF 2.
- THE "S" BARS IN THE DECK MAY BE SHIFTED SLIGHTLY TO CLEAR THE MODULAR JOINT SUPPORT BOXES.
- FOR TOP AND BOTTOM "B" BARS NOT SHOWN, SEE SUPERSTRUCTURE "B" BAR LAYOUT SHEET.



SPAN "A" - LEFT SIDE

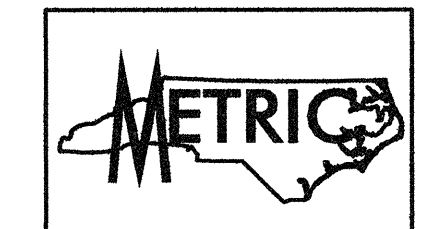


SPAN "A" - RIGHT SIDE

ARC OFFSETS - OUTSIDE EDGE OF DECK

PROJECT NO. R-2552AA
 WAKE-JOHNSTON COUNTY
 STATION: 28+31.359 -11Y1-

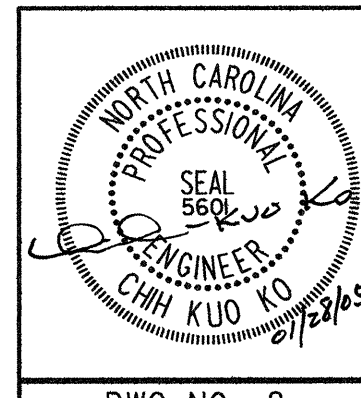
SHEET 1 OF 5



STATE OF NORTH CAROLINA
 DEPARTMENT OF TRANSPORTATION
 RALEIGH

SUPERSTRUCTURE PLAN OF SPAN "A"

REVISIONS						SHEET NO.
NO.	BY:	DATE:	NO.	BY:	DATE:	TOTAL SHEETS
1			3			5-91
2			4			429



Plans prepared by:
KO & ASSOCIATES, P.C.
 Consulting Engineers
 1011 SCHAUW DR., SUITE #202
 RALEIGH, N.C. 27606
 For Division of Highways

PLOT: 01/27/2005 03:16:46 PM Ko & Associates, P.C.
 FILE NAME: r:\2552aa.dwg

DRAWN BY: B.E. LANNING DATE: JAN. 2005
 CHECKED BY: J.C. KO / A.K. ORR DATE: JAN. 2005

DWG. NO. 8