

NOTES

FOR MODULAR EXPANSION JOINT SEALS, SEE SPECIAL PROVISIONS.

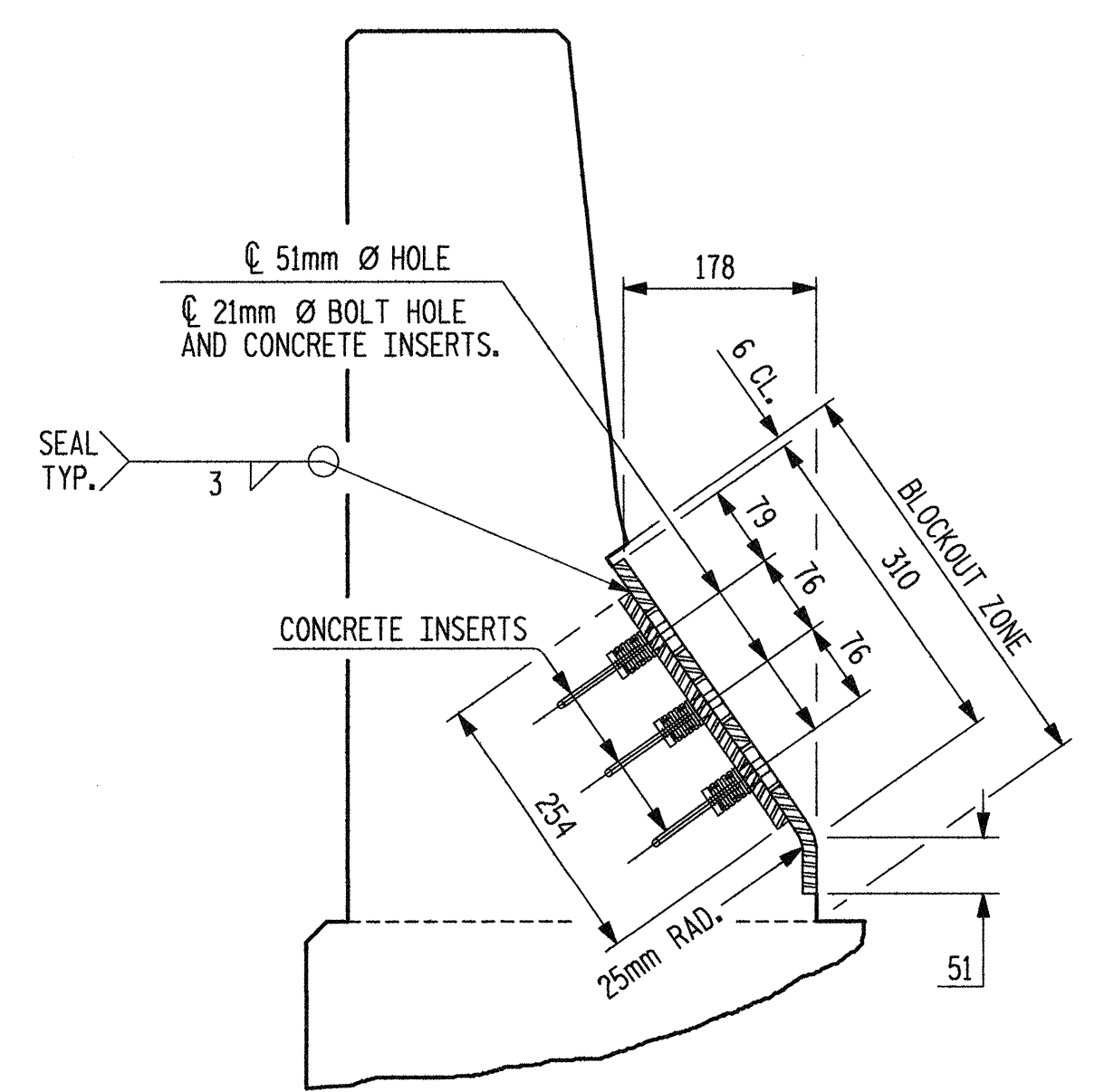
THE STEEL PLATES SHALL CONFORM TO AASHTO M270 GRADE 250 OR APPROVED EQUAL AND BE PAINTED IN ACCORDANCE WITH THE STANDARD SPECIFICATIONS. AT THE CONTRACTOR'S OPTION, THE PLATES MAY BE METALLIZED AFTER FABRICATION TO A MINIMUM THICKNESS OF 0.150mm. SEE SPECIAL PROVISIONS FOR THERMAL SPRAYED COATINGS (METALLIZATION).

THE 19.05mm Ø HEX HEAD BOLTS SHALL CONFORM TO ASTM F593 ALLOY 304 STAINLESS STEEL.

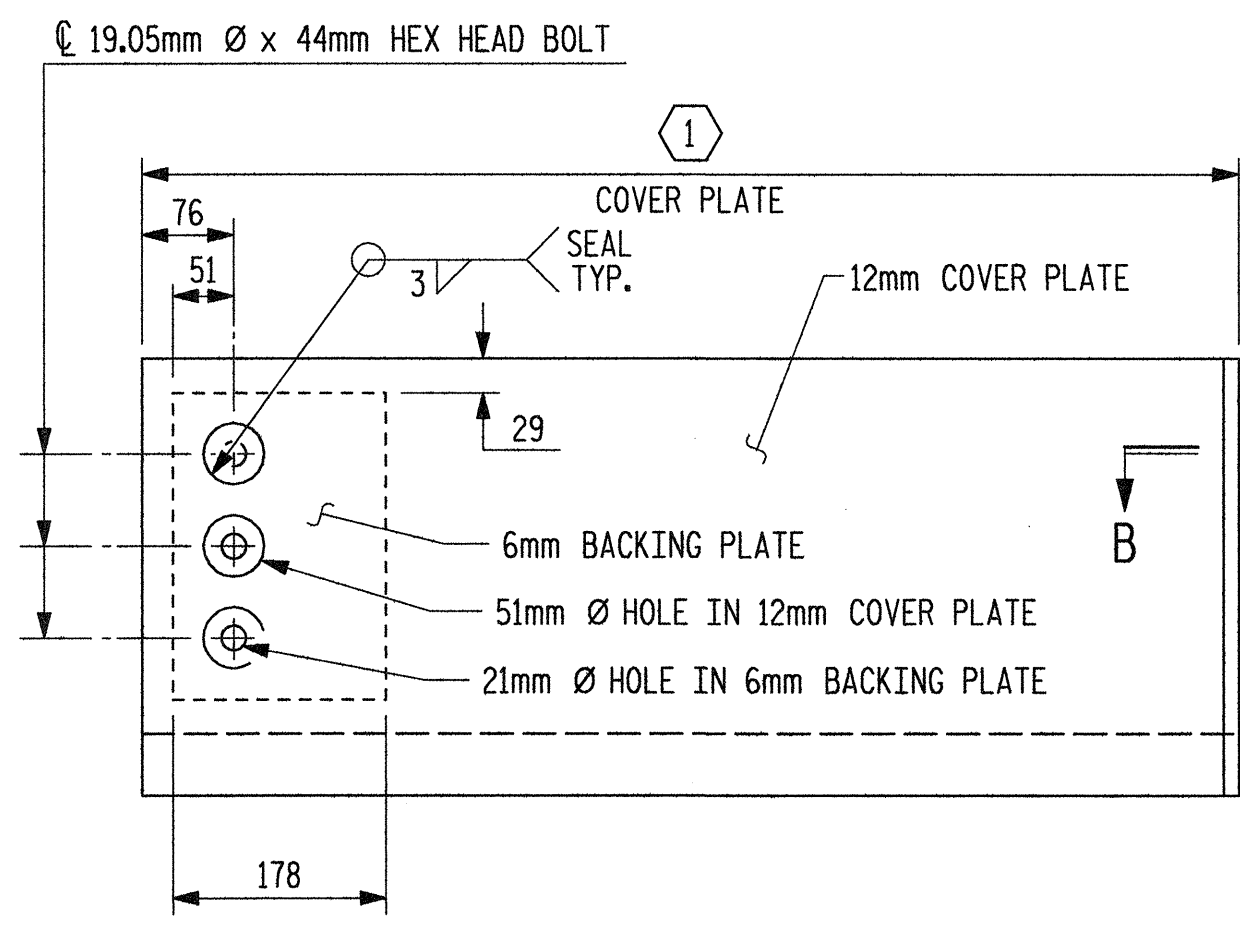
THE 19.05mm CONCRETE INSERTS SHALL BE CLOSED-END FERRULES WITH LOOPED WIRE STRUTS ATTACHED TO THEM. THE INSERTS SHALL CONFORM TO AASHTO M169, GRADE 12L14 AND SHALL HAVE A TENSILE WORKING LOAD CAPACITY OF 13.3 kN.

NO SEPARATE PAYMENT WILL BE MADE FOR FURNISHING AND INSTALLING THE COVER PLATE. THE ENTIRE COST OF THIS WORK SHALL BE INCLUDED IN THE LUMP SUM PRICE FOR "MODULAR EXPANSION JOINT SEALS."

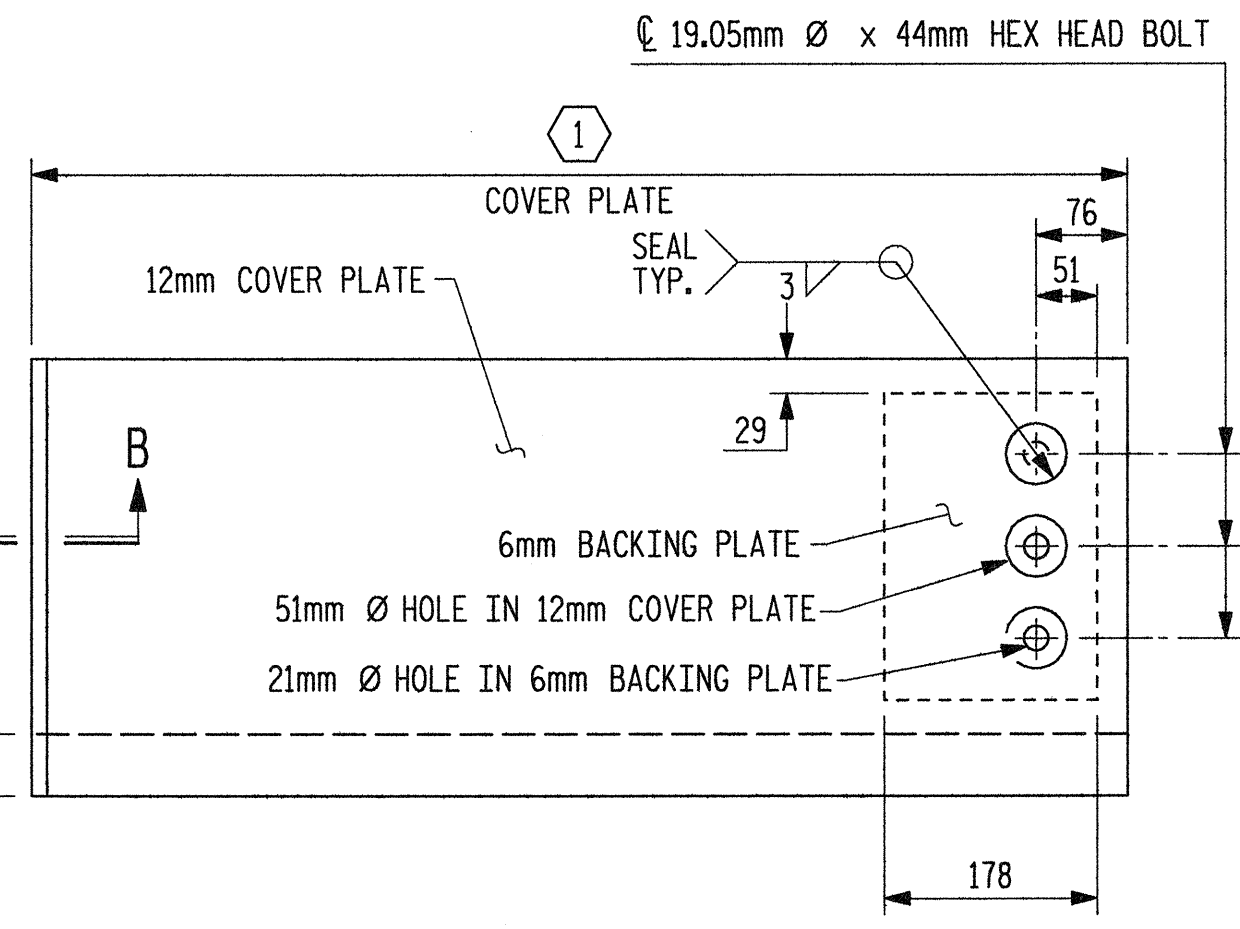
LOCATION	SKEW ANGLE	TOTAL MOVEMENT ALONG C ROADWAY
END BENT #1	90°00'00"	112mm
END BENT #2	90°00'00"	124mm



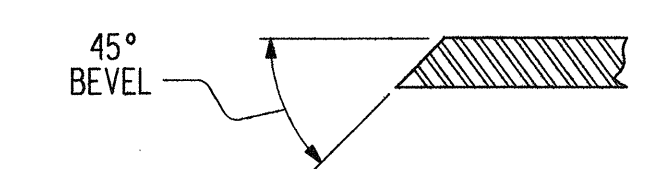
END VIEW



TYPE I - ELEVATION VIEW



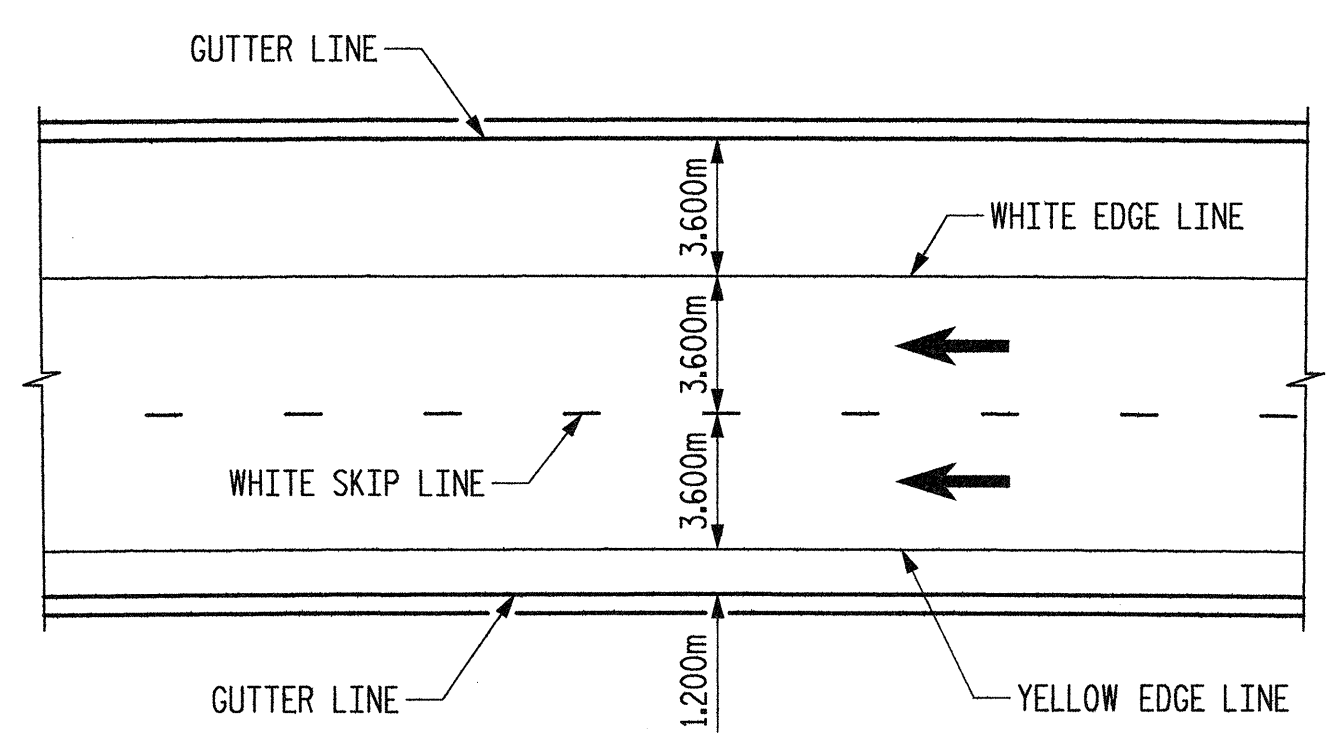
TYPE II - ELEVATION VIEW



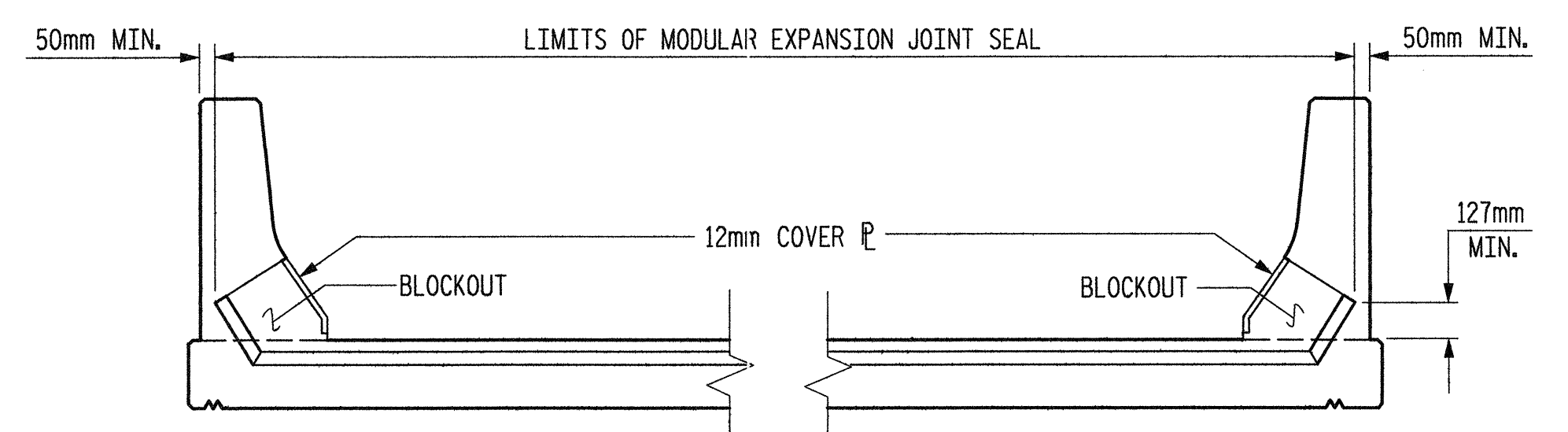
SECTION B-B

COVER PLATE DETAILS

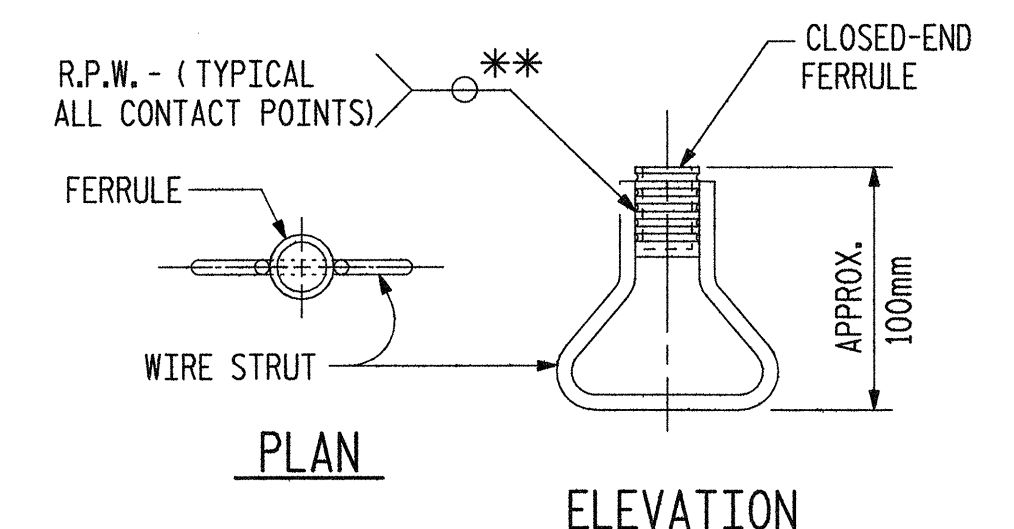
NOTE: DETAILS OF COVER PLATES ARE SUBJECT TO CHANGE DEPENDING ON THE DETAILS OF THE MODULAR EXPANSION JOINT SEALS FURNISHED.



PAVEMENT MARKING ALIGNMENT



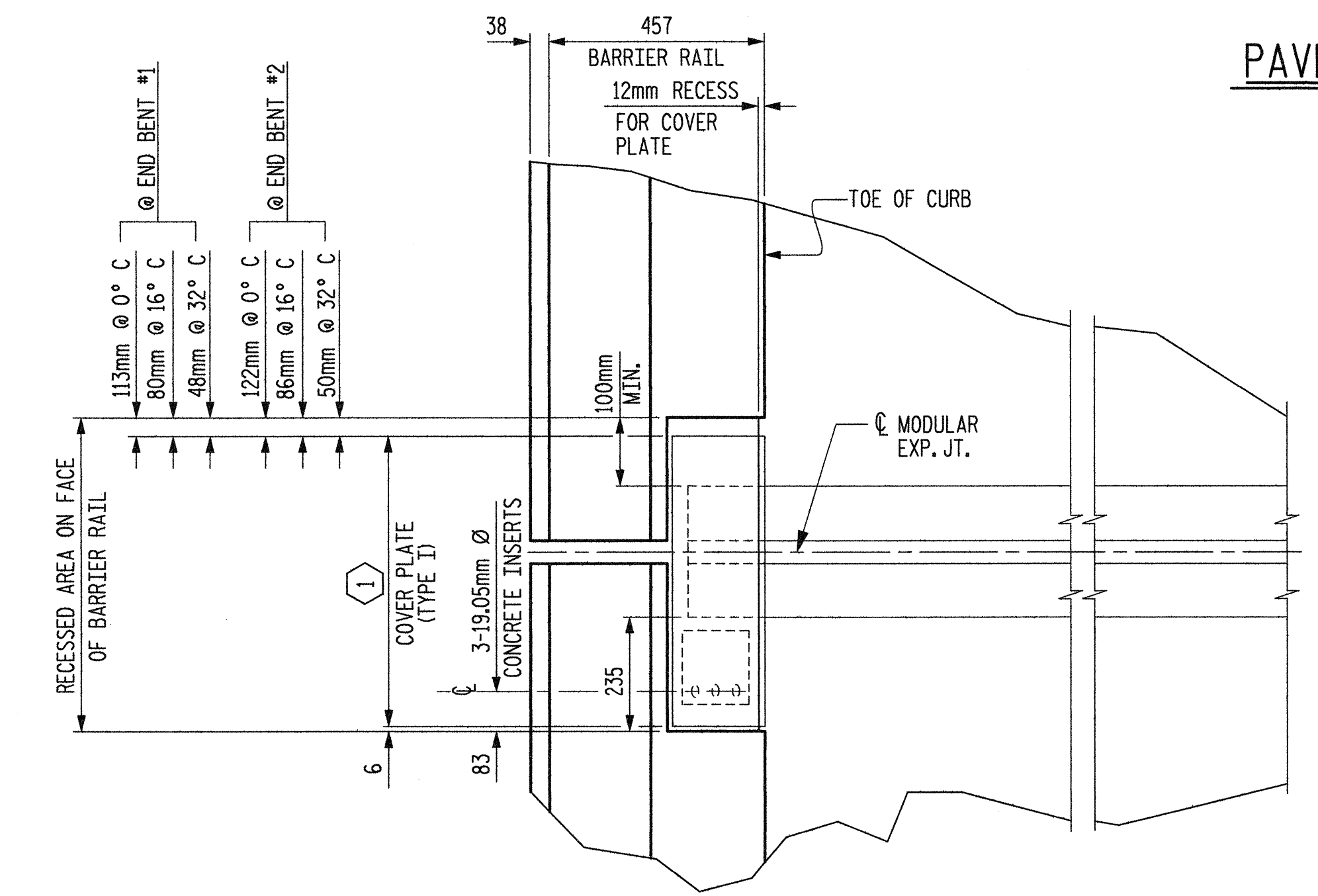
SKETCH SHOWING LIMITS OF MODULAR EXPANSION JOINT SEAL - BARRIER RAIL



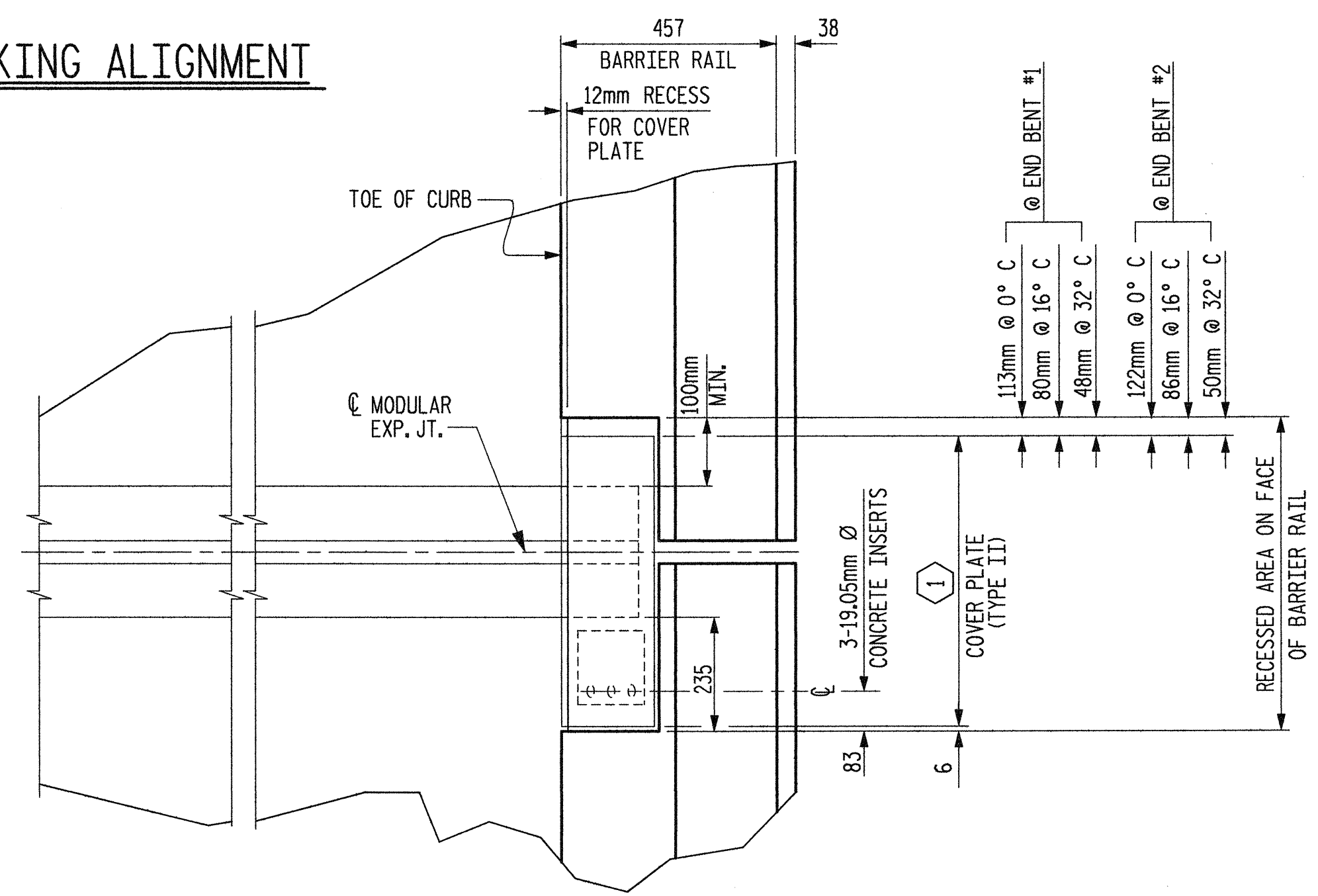
CONCRETE INSERT

** EACH WELDED ATTACHMENT OF WIRE TO FERRULE SHALL DEVELOP THE TENSILE STRENGTH OF THE WIRE.

PROJECT NO. R-2552AA
 WAKE-JOHNSTON COUNTY
 STATION: 28+31.359 -I1Y1-



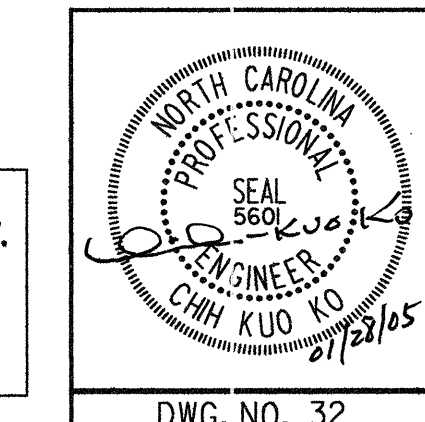
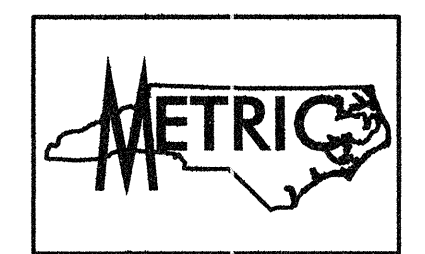
PLAN OF MODULAR EXPANSION JOINT SEAL - LEFT SIDE



PLAN OF MODULAR EXPANSION JOINT SEAL - RIGHT SIDE

ASSEMBLED BY : B.E. LANNING DATE : DEC. 2004
 CHECKED BY : J.C. KO DATE : DEC. 2004
 DRAWN BY : EEM 7/96 REV. 7/17/98 RWW/LES
 CHECKED BY : VAP 7/96 REV. 8/16/99 RAL/LES
 REV. 10/17/00 RWW/LES

Plans prepared by:
KO & ASSOCIATES, P.C.
 Consulting Engineers
 1011 SCHAUH DR., SUITE #202
 RALEIGH, N.C. 27606
 For Division of Highways



STATE OF NORTH CAROLINA
 DEPARTMENT OF TRANSPORTATION
 RALEIGH

STANDARD
MODULAR EXPANSION JOINT SEAL DETAILS FOR BARRIER RAIL

REVISIONS						SHEET NO.
NO.	BY:	DATE:	NO.	BY:	DATE:	
1			3			5-115
2			4			TOTAL SHEETS 429

DWG. NO. 32