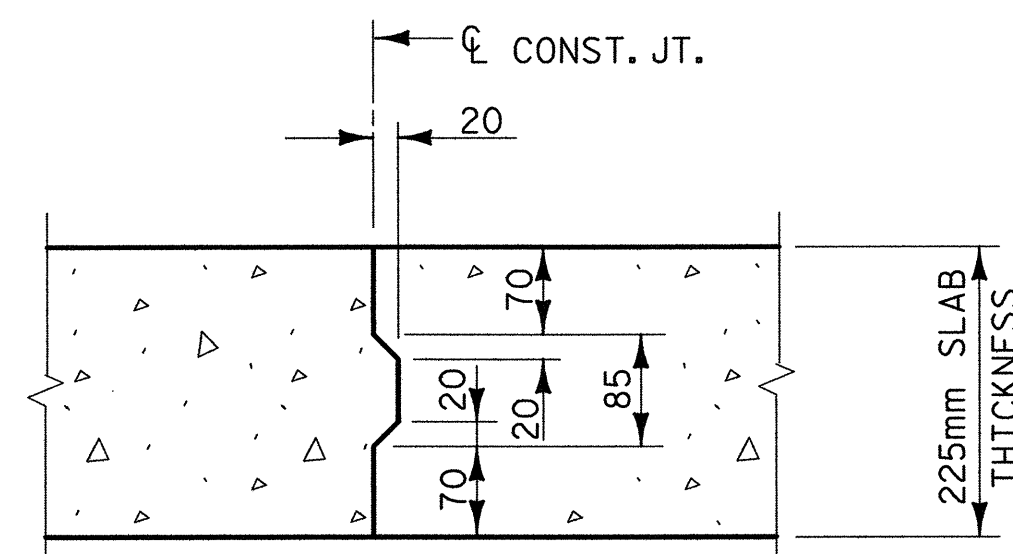
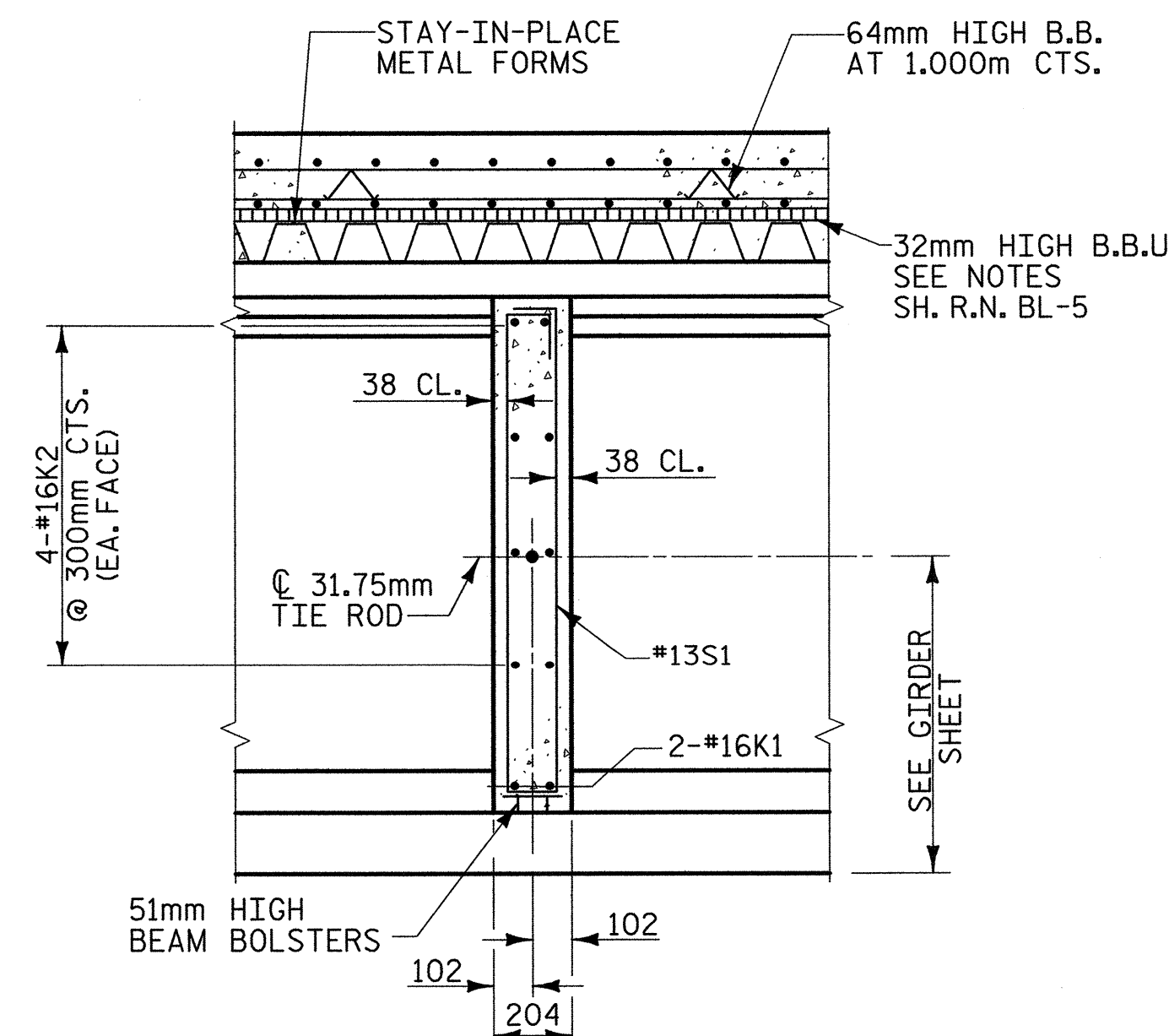


TYPICAL SECTION
(INTERMEDIATE DIAPHRAGMS)



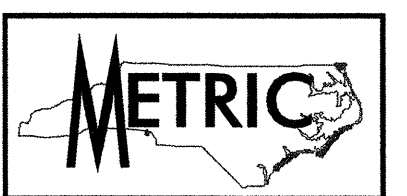
NOTE:
REINFORCING STEEL NOT SHOWN FOR CLARITY.
LONGITUDINAL REINFORCING STEEL SHALL BE
CONTINUOUS THRU JOINT.

TRANSVERSE CONSTRUCTION JOINT IN DECK SLAB



SECTION D-D

* EPOXY COATED
REINFORCING STEEL
+ C.H.C. HEIGHT SHOWN @
CL BEARINGS, VARIES IN
SPAN DUE TO CAMBER

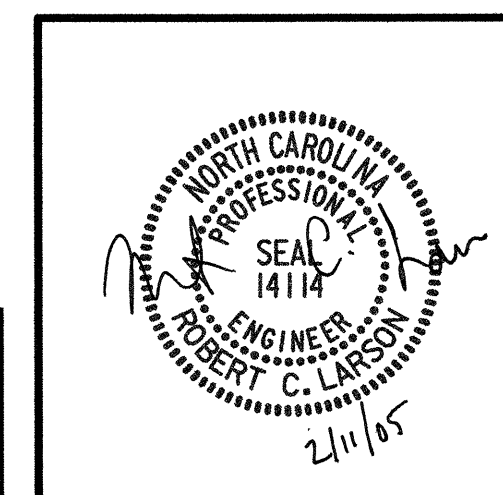


PROJECT NO. R-2552AA
WAKE - JOHNSTON COUNTY
STATION: 14+38.000 -LREV- POT

SHEET 2 OF 2

STATE OF NORTH CAROLINA
DEPARTMENT OF TRANSPORTATION
RALEIGH

**SUPERSTRUCTURE
TYPICAL SECTION
(LEFT LANE)**



REVISIONS						SHEET NO. 5-145 TOTAL SHEETS 429
NO.	BY:	DATE:	NO.	BY:	DATE:	
1			3			REFERENCE NO. BL-6
2			4			

02/04/2005 02:46:29 PM G:\p\c\l\2004\23\01r-2552\Structures\Site 4\Left_Lane\R2552AA_SD.TS_02.dgn

DRAWN BY: J. P. SHERMAN DATE: 6/04
CHECKED BY: R. C. LARSON DATE: 7/04