

- DEBONDING LEGEND
- FULLY BONDED STRANDS
  - STRANDS DEBONDED FOR 0.610m FROM END OF GIRDER
  - STRANDS DEBONDED FOR 1.220m FROM END OF GIRDER
  - ◇ STRANDS DEBONDED FOR 3.050m FROM END OF GIRDER
  - ⊙ STRANDS DEBONDED FOR 9.150m FROM END OF GIRDER

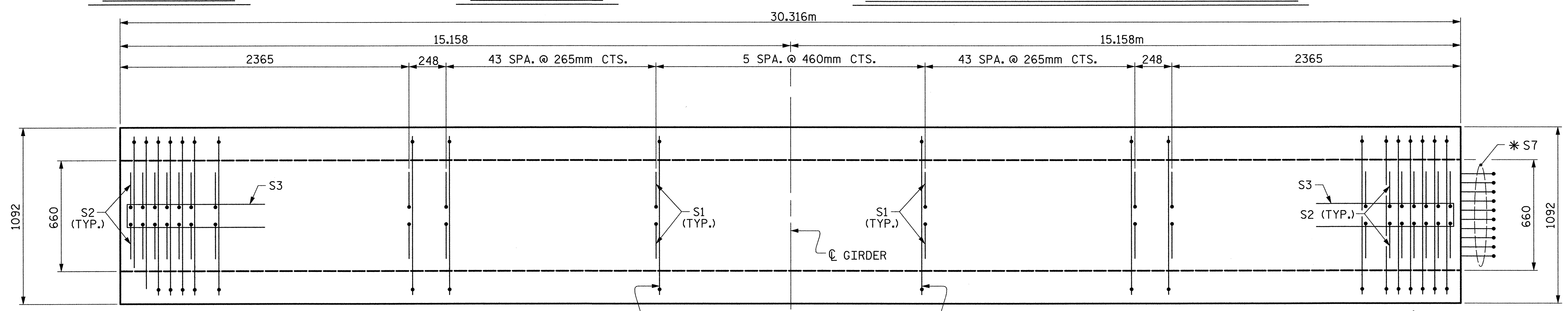
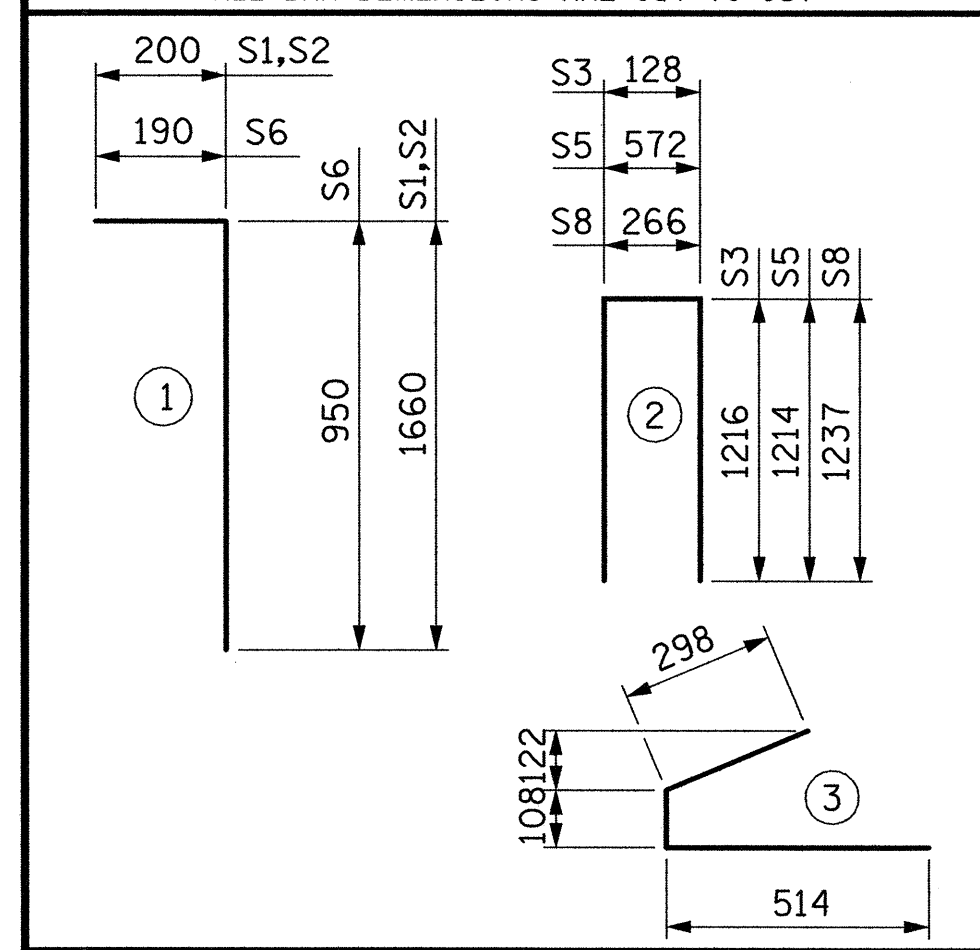
\* FOR S7 BARS, SEE DETAIL "C" OF PRESTRESSED CONCRETE GIRDER CONTINUOUS FOR LIVE LOAD DETAILS SHEET

12.70mm Ø L. R. GRADE 270 STRANDS		
AREA (mm <sup>2</sup> )	ULTIMATE STRENGTH (KN PER STRAND)	APPLIED PRESTRESS (KN PER STRAND)
98.71	183.7	137.8

REINFORCING STEEL FOR ONE GIRDER					
BAR	NUMBER	SIZE	TYPE	LENGTH	WEIGHT
S1	232	#13	1	1860	429
S2	24	#16	1	1860	69
S3	12	#13	2	2560	31
S4	72	#13	3	920	66
S5	1	#16	2	3000	5
S6	256	#16	1	1140	453
*S7	10	#16	STR	1120	17
S8	2	#16	2	2740	9
S9	1	#10	STR	560	1

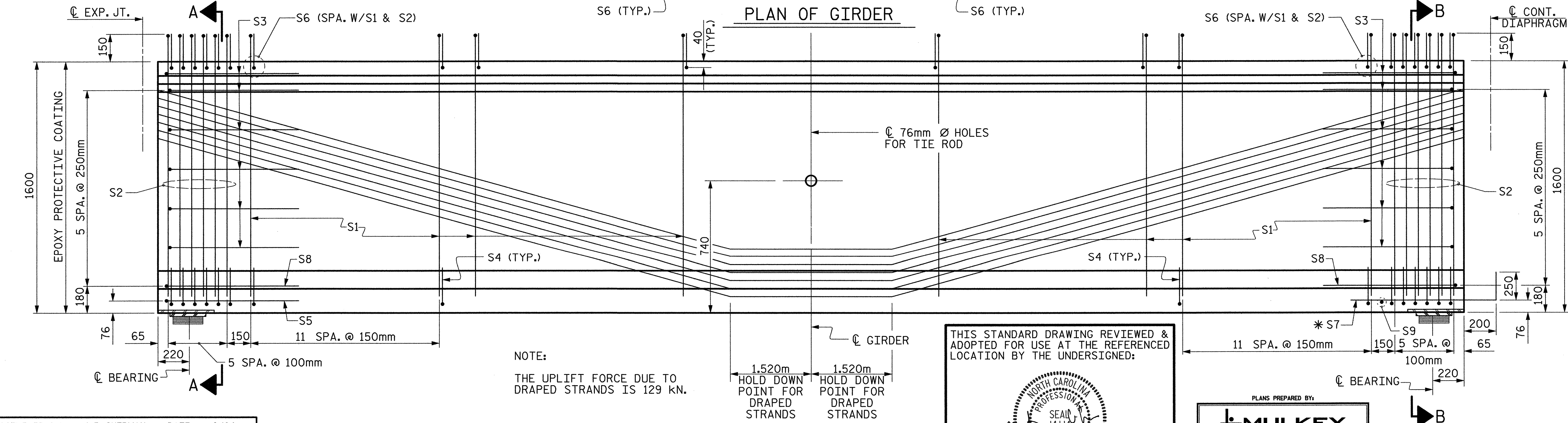
\* NOTE: S7 BARS SHALL BE BENT BEFORE SHIPMENT. HEAT BENDING SHALL NOT BE ALLOWED.

BAR TYPES



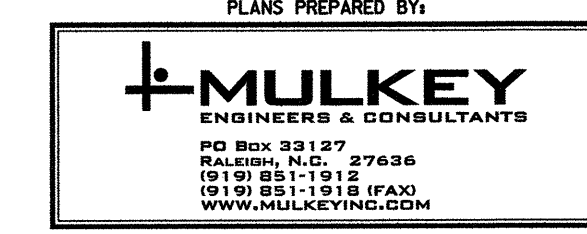
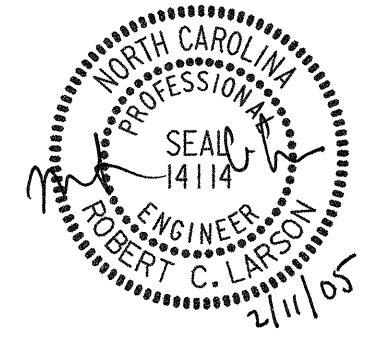
QUANTITIES FOR ONE GIRDER			
SPAN	REINFORCING STEEL	50.0 MPa CONCRETE	12.70mm Ø L.R. STRANDS
	kg	m <sup>3</sup>	No.
A,C,D&F	1080	15.1	50

GIRDERS REQUIRED			
SPAN	NUMBER	LENGTH	TOTAL LENGTH
A,C,D&F	16	30.316m	485.056m



NOTE: THE UPLIFT FORCE DUE TO DRAPED STRANDS IS 129 kN.

THIS STANDARD DRAWING REVIEWED & ADOPTED FOR USE AT THE REFERENCED LOCATION BY THE UNDERSIGNED:



ASSEMBLED BY : J. P. SHERMAN	DATE : 6/04
CHECKED BY : R. C. LARSON	DATE : 8/04
DRAWN BY : EEM 2/6/97	REV. 7/17/98 RWW/LES
CHECKED BY : VAP 2/6/97	REV. 8/16/99 RWW/LES
	REV. 10/17/00 RWW/LES

PROJECT NO. R-2552AA  
 WAKE - JOHNSTON COUNTY  
 STATION: 14+38.000 -LREV- POT  
 SHEET 1 OF 5

STATE OF NORTH CAROLINA  
 DEPARTMENT OF TRANSPORTATION  
 RALEIGH  
 STANDARD  
 1600mm PRESTRESSED CONCRETE  
 MODIFIED BULB TEE  
 CONTINUOUS FOR LIVE LOAD  
 SPANS A,C,D&F (LEFT LANE)  
 STD. NO. PCG9SM

REVISIONS				SHEET NO.	
NO.	BY:	DATE:	NO.	BY:	DATE:
1			3		
2			4		

REFERENCE NO. BL-13