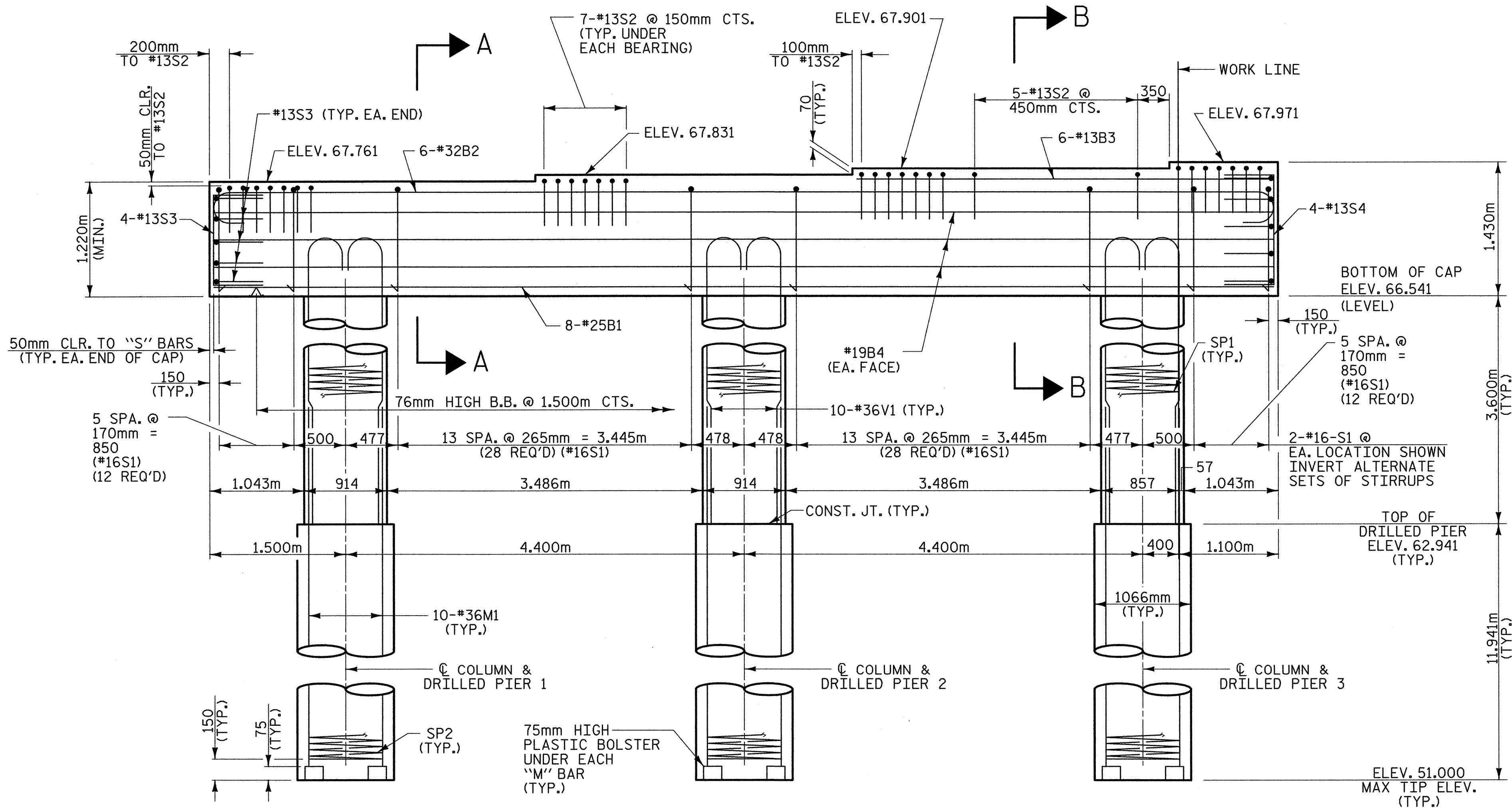
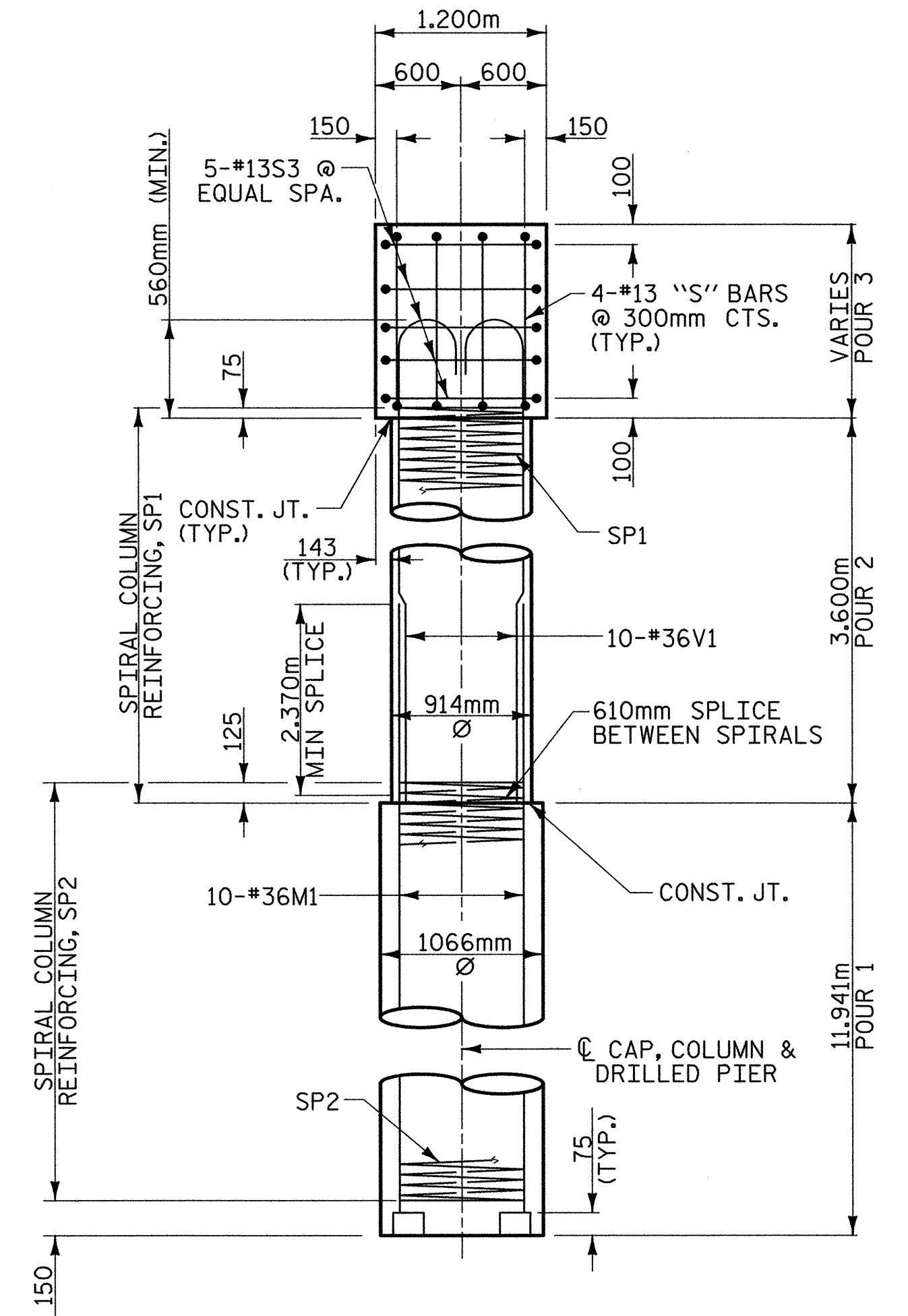


PLAN OF CAP



ELEVATION



END ELEVATION

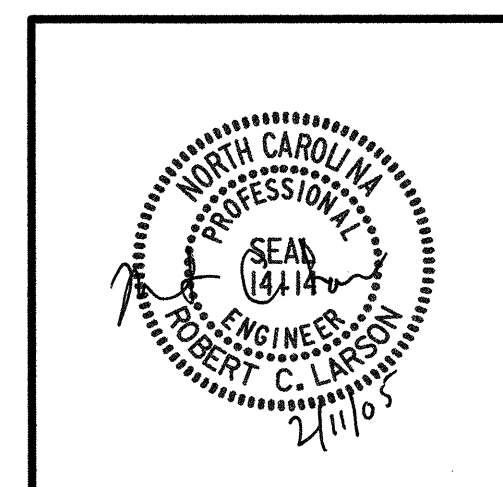


PROJECT NO. R-252AA  
WAKE - JOHNSTON COUNTY  
 STATION: 14+38.000 -LREV- POT

SHEET 1 OF 2

STATE OF NORTH CAROLINA  
 DEPARTMENT OF TRANSPORTATION  
 RALEIGH

SUBSTRUCTURE  
 BENT 1  
 (LEFT LANE)



REVISIONS						SHEET NO. 5-165
NO.	BY:	DATE:	NO.	BY:	DATE:	
1			3			TOTAL SHEETS 429
2			4			

REFERENCE NO. BL-26

02/04/2005 08:52:27 AM G:\p\c\lect\2004\2320\IR-252A\Structures\Site 4\Left Lane\R252AA.SD.B10.dgn

DRAWN BY: J. P. SHERMAN DATE: 10/04  
 CHECKED BY: R. C. LARSON DATE: 12/04