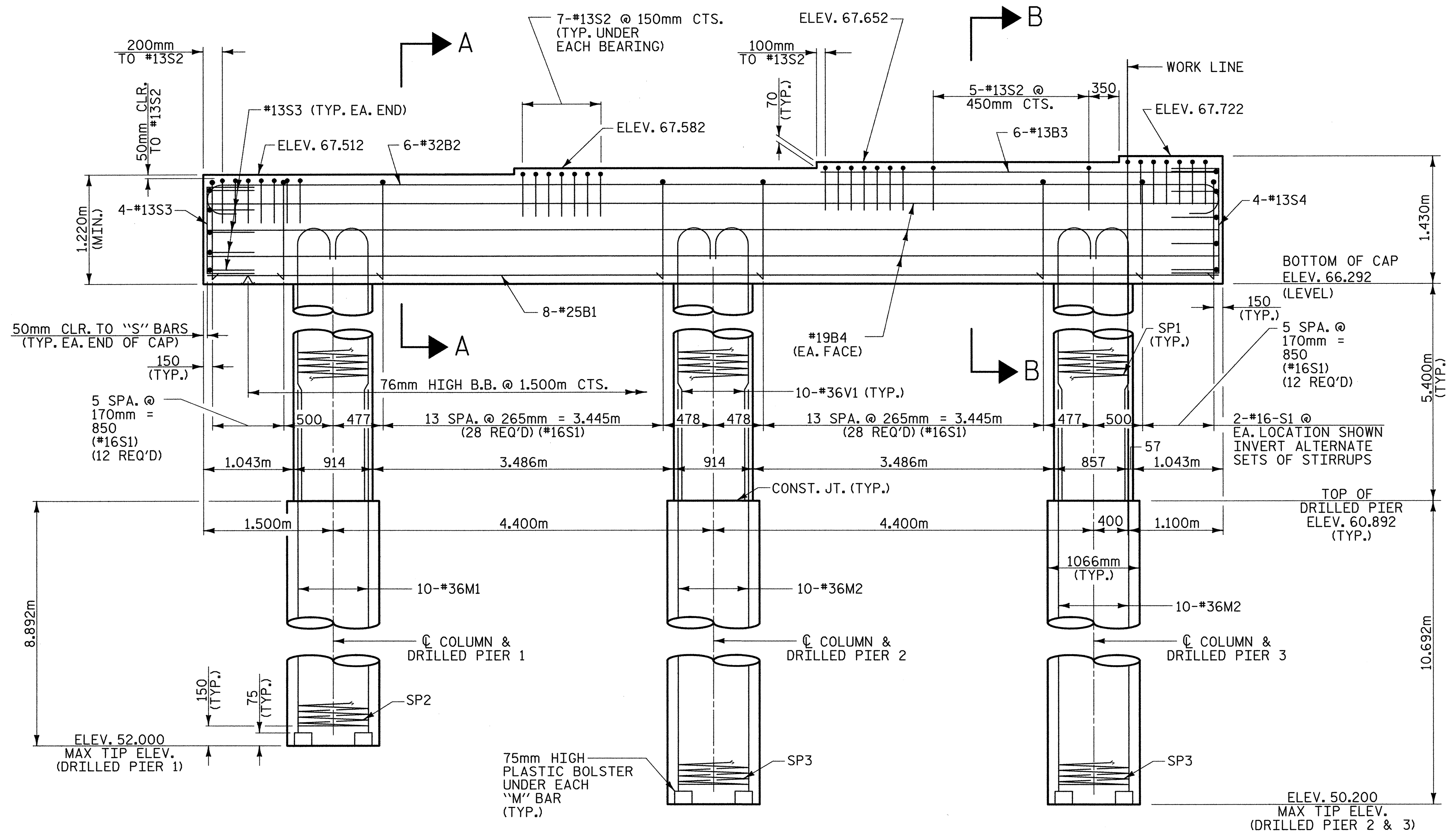
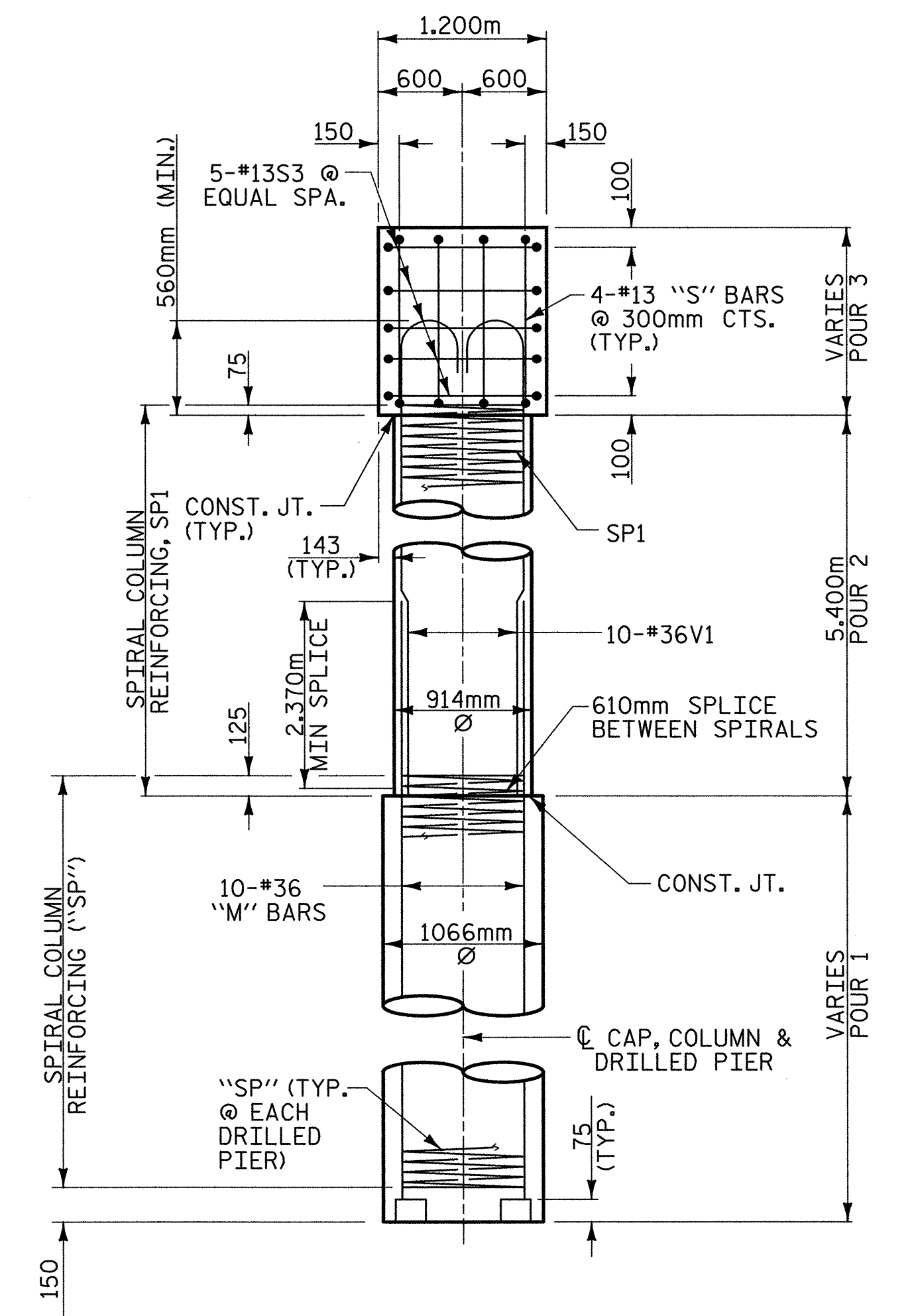


PLAN OF CAP



ELEVATION



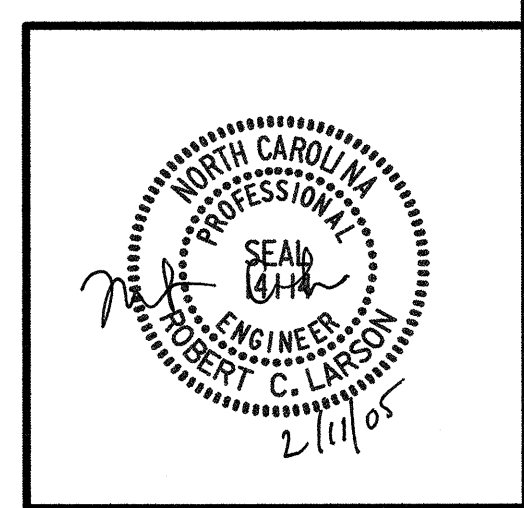
END ELEVATION



PROJECT NO. R-252AA
WAKE - JOHNSTON COUNTY
 STATION: 14+38.000 -LREV- POT

SHEET 1 OF 2

STATE OF NORTH CAROLINA
 DEPARTMENT OF TRANSPORTATION
 RALEIGH
SUBSTRUCTURE BENT 3 (LEFT LANE)



REVISIONS						SHEET NO.	
NO.	BY:	DATE:	NO.	BY:	DATE:	TOTAL SHEETS	
1			3			5-169	
2			4			429	

REFERENCE NO. BL-30

02/04/2005 06:55:21 AM G:\p\elect\2004\231-01R-252AA\Structures\Site 4\Left Lane\R252AA_SD.B31.dgn

DRAWN BY: J. P. SHERMAN DATE: 10/04
 CHECKED BY: R. C. LARSON DATE: 12/04