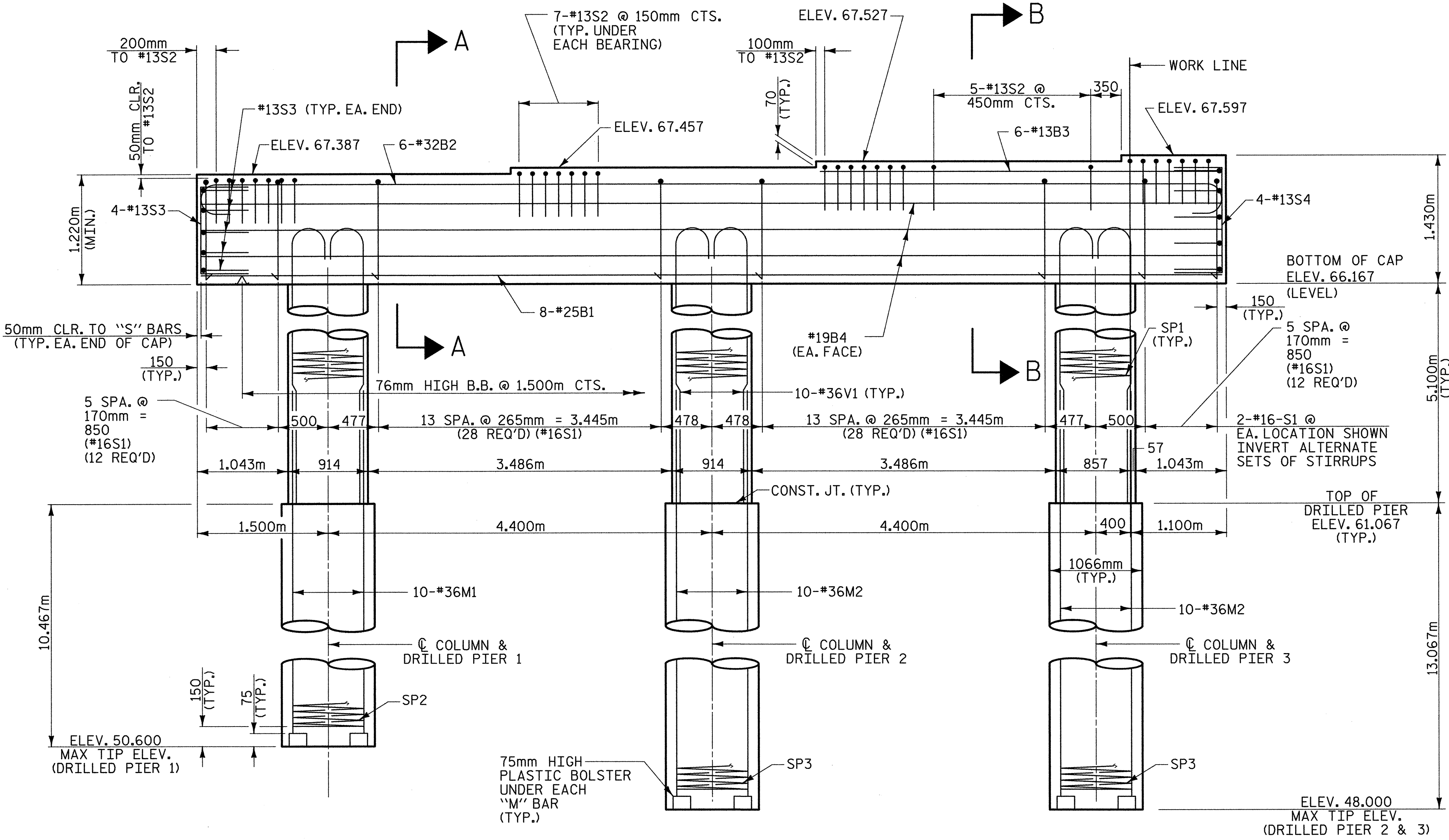
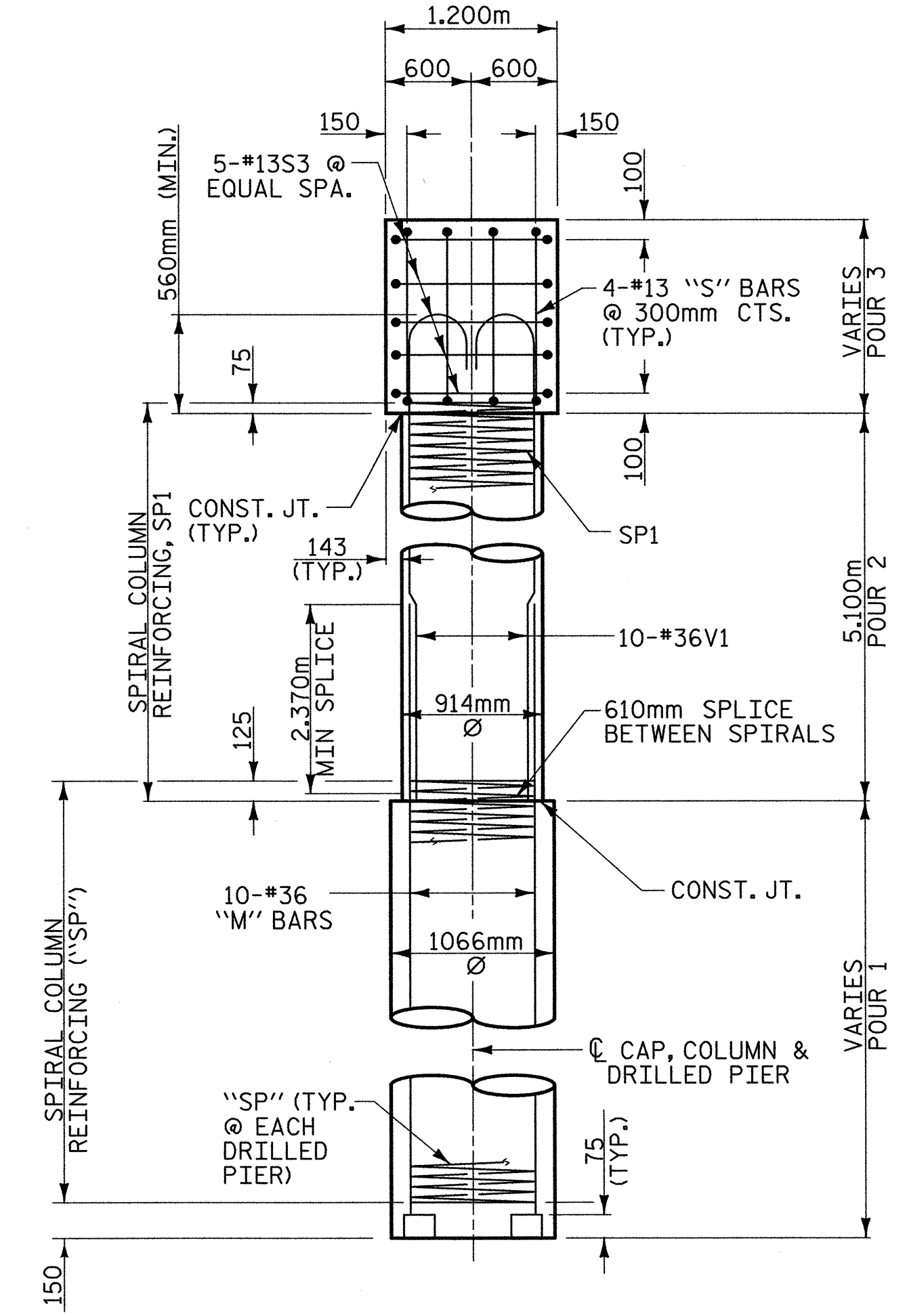


PLAN OF CAP



ELEVATION



END ELEVATION

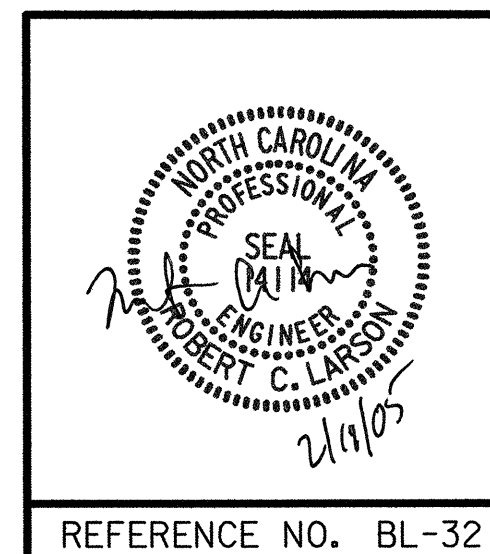


PROJECT NO. R-252AA  
WAKE - JOHNSTON COUNTY  
 STATION: 14+38.000 -LREV- POT

SHEET 1 OF 2

STATE OF NORTH CAROLINA  
 DEPARTMENT OF TRANSPORTATION  
 RALEIGH

SUBSTRUCTURE  
 BENT 4  
 (LEFT LANE)



REVISIONS						SHEET NO.
NO.	BY:	DATE:	NO.	BY:	DATE:	TOTAL SHEETS
1			3			5-171
2			4			429

REFERENCE NO. BL-32

02/04/2005 06:56:19 AM G:\Project1\2004\23-01R-252AA\Structures\She 4\LefL Lona\252AA-SD-B4-D.dgn

DRAWN BY: J. P. SHERMAN DATE: 10/04  
 CHECKED BY: R. C. LARSON DATE: 12/04