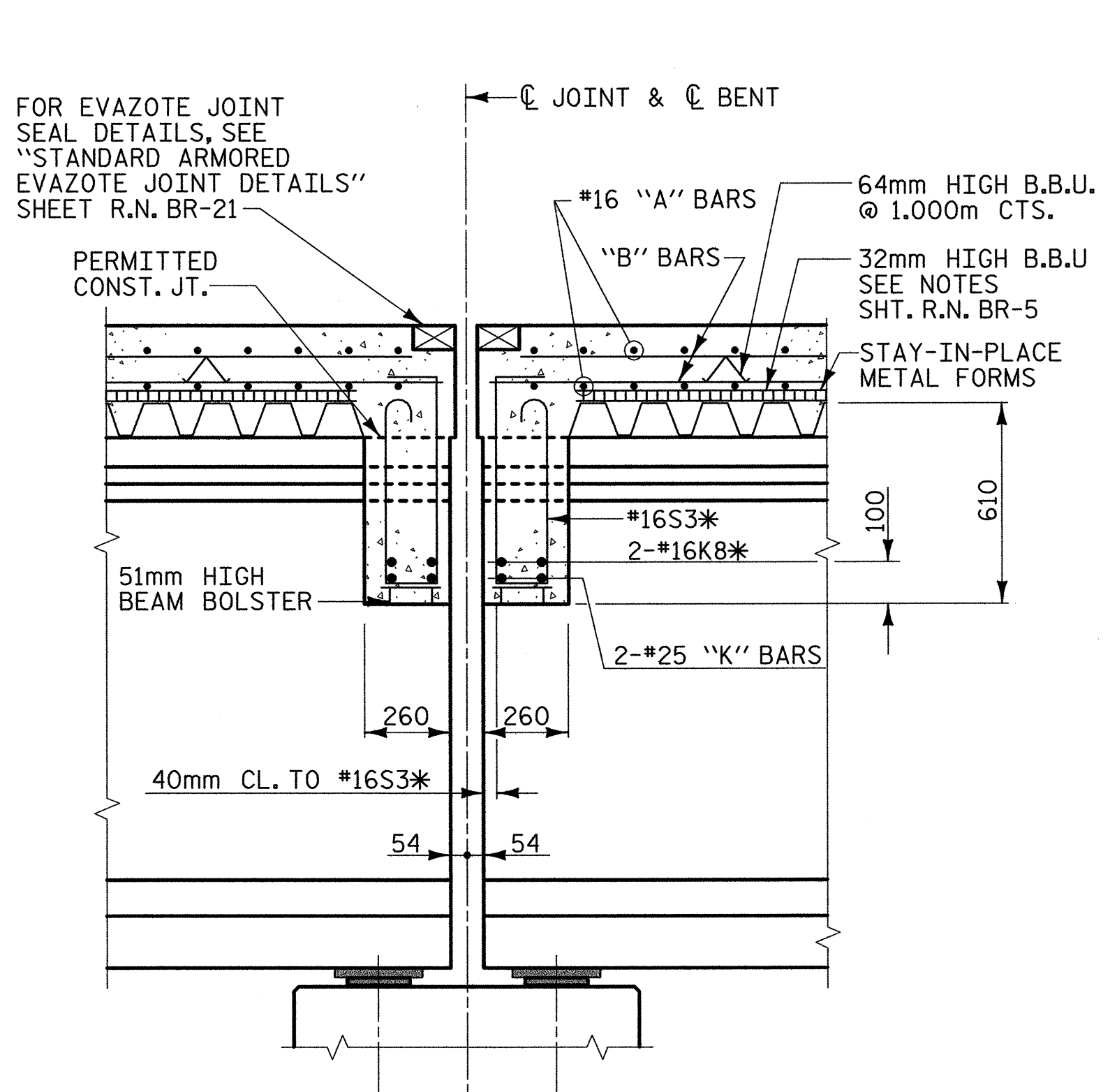
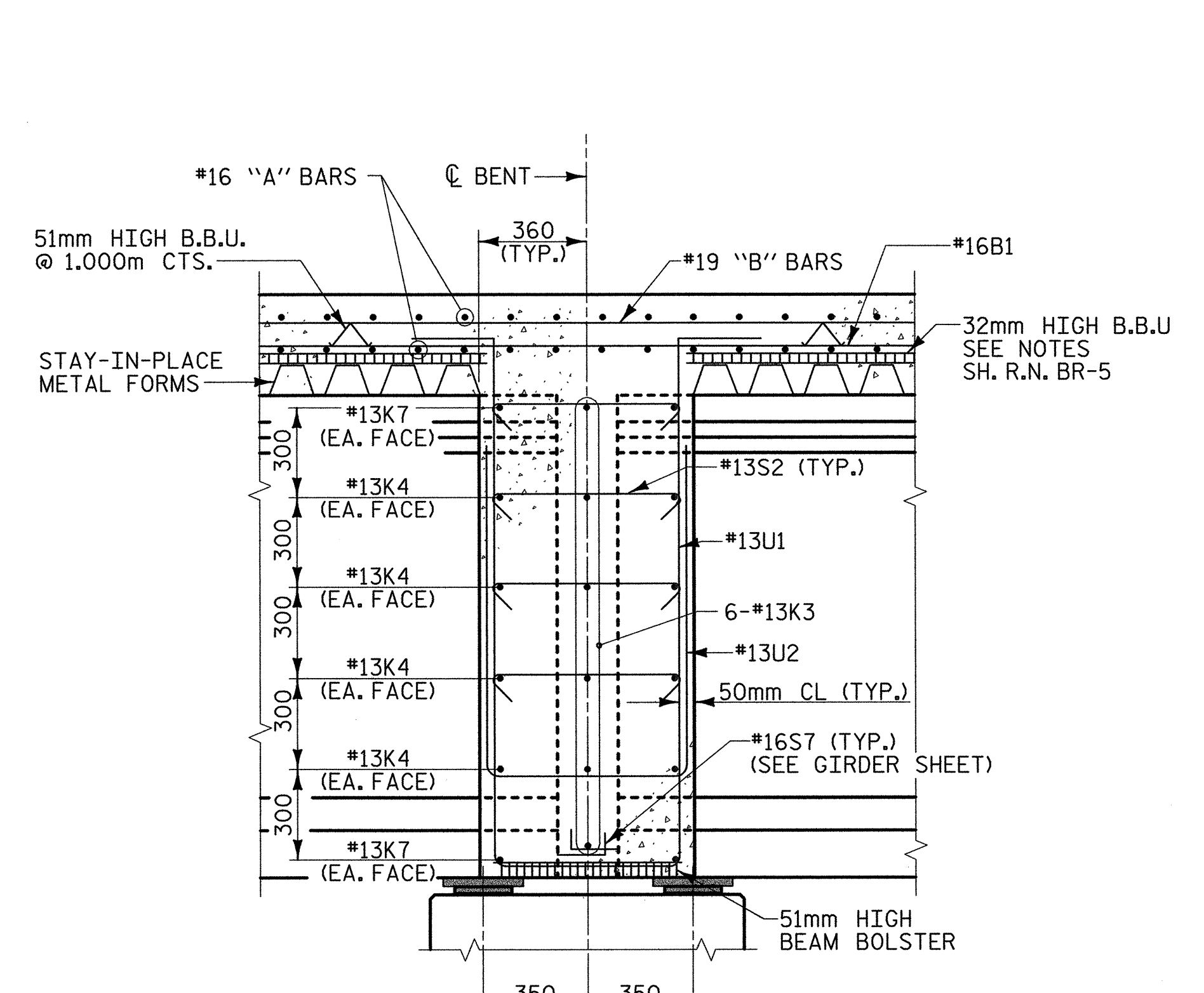


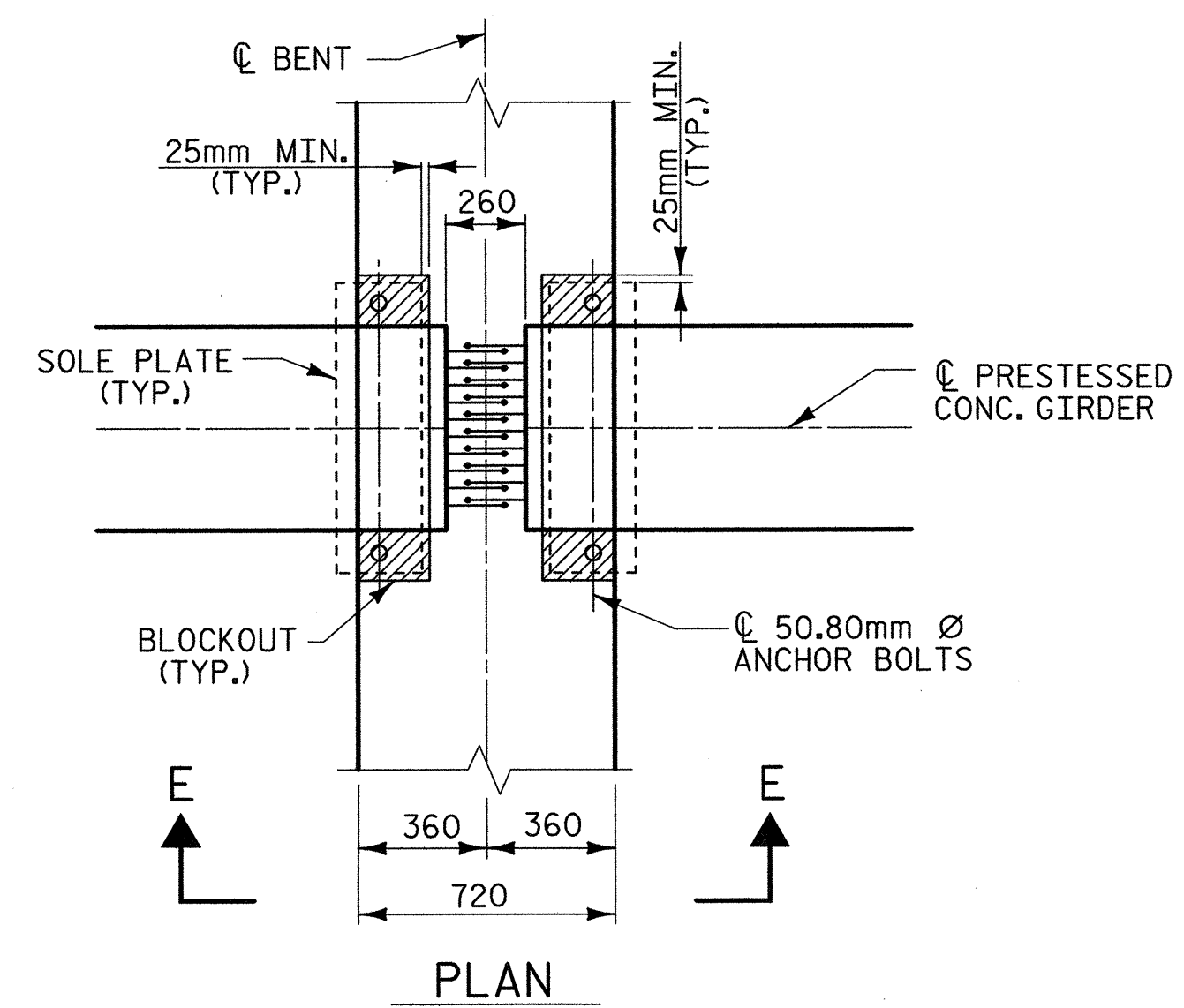
SECTION A-A



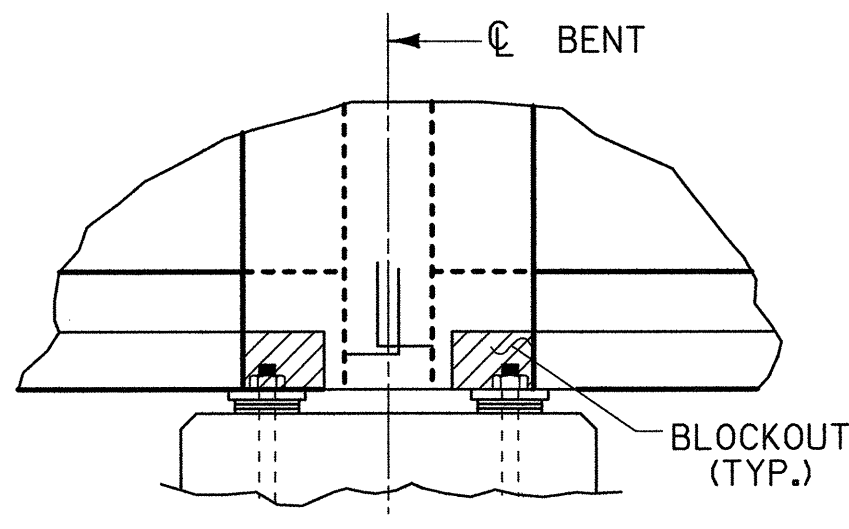
SECTION B-B



SECTION C-C

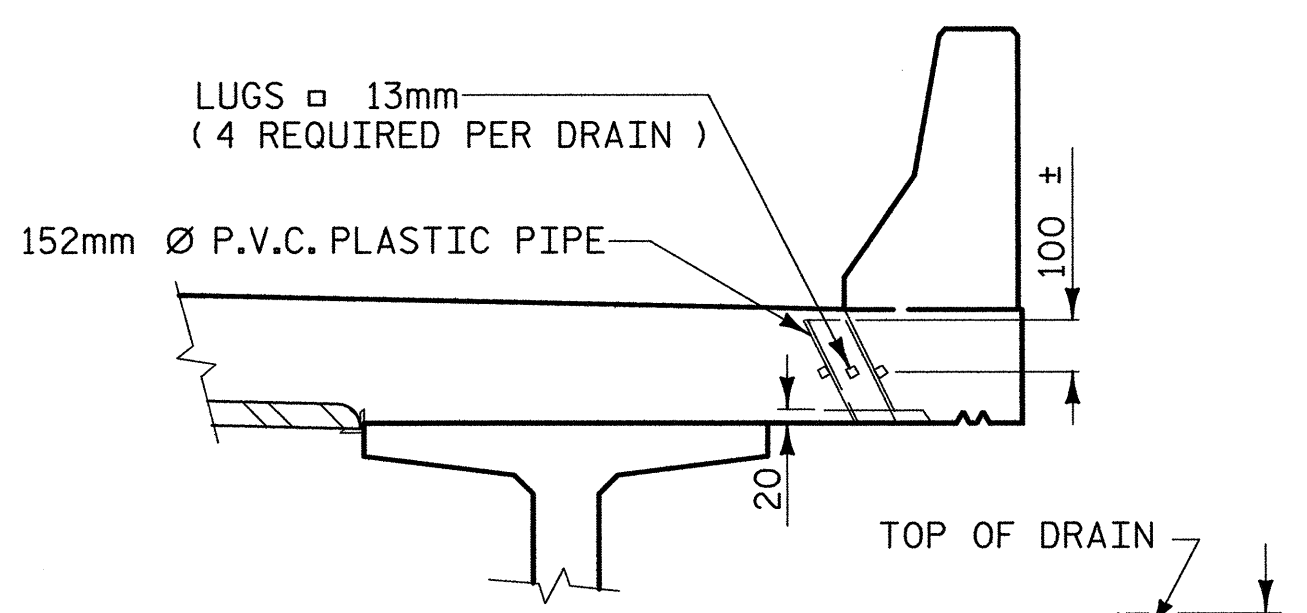


PLAN

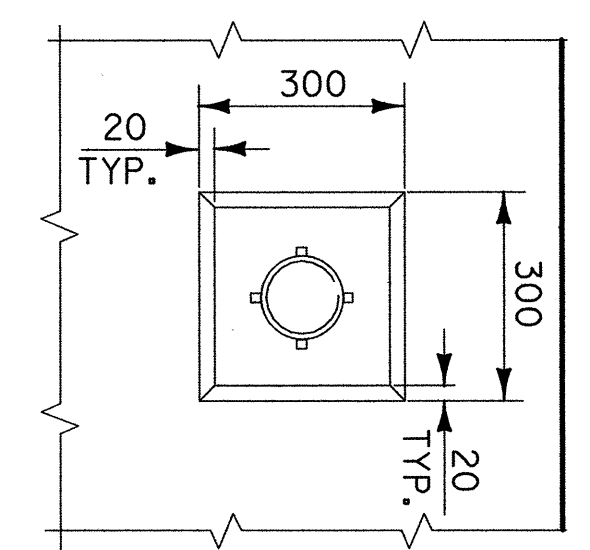


VIEW E-E

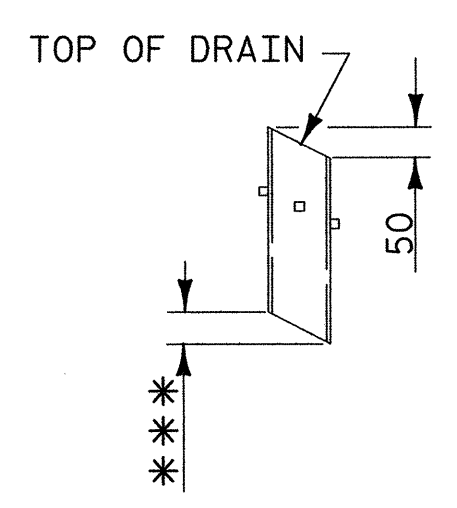
BENT DIAPHRAGM BLOCKOUT DETAIL



ELEVATION



PLAN OF RECESS



PIPE DETAIL

DRAIN DETAILS

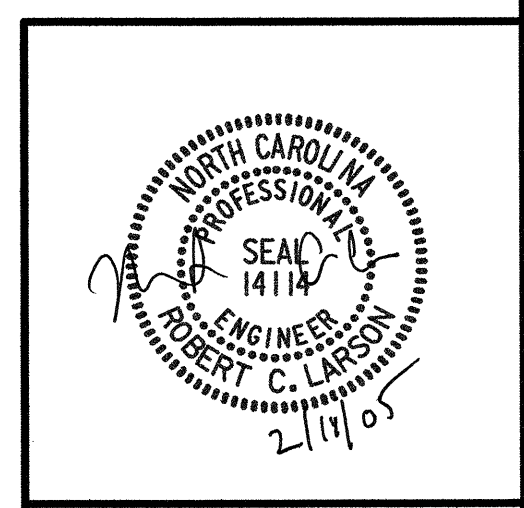
TOP OF FLOOR DRAINS TO BE SET 10mm BELOW SURFACE OF SLAB.
 4 - 13mm \square LUGS TO BE GLUED TO THE P.V.C. PLASTIC PIPE AT EQUAL SPACES AROUND THE PIPE DRAIN.
 THE 152mm \varnothing PVC PIPE SHALL BE SCHEDULE 40 AND CONFORM TO ASTM D1785.

* EPOXY COATED REINFORCING STEEL



PROJECT NO. R-252AA
 WAKE - JOHNSTON COUNTY
 STATION: 14+38.000 -LREV- POT

STATE OF NORTH CAROLINA
 DEPARTMENT OF TRANSPORTATION
 RALEIGH
**SUPERSTRUCTURE
 TYPICAL SECTION
 DETAILS
 (RIGHT LANE)**



REVISIONS						SHEET NO.
NO.	BY:	DATE:	NO.	BY:	DATE:	TOTAL SHEETS
1			3			429
2			4			429

REFERENCE NO. BR-7

02/04/2005 07:28:50 AM G:\p\p\p\2004\23-01R-252A\Structures\Site 4\Right Lane\252AA-S0-TS-03.dgn

DRAWN BY: J. P. SHERMAN DATE: 6/04
 CHECKED BY: R. C. LARSON DATE: 7/04