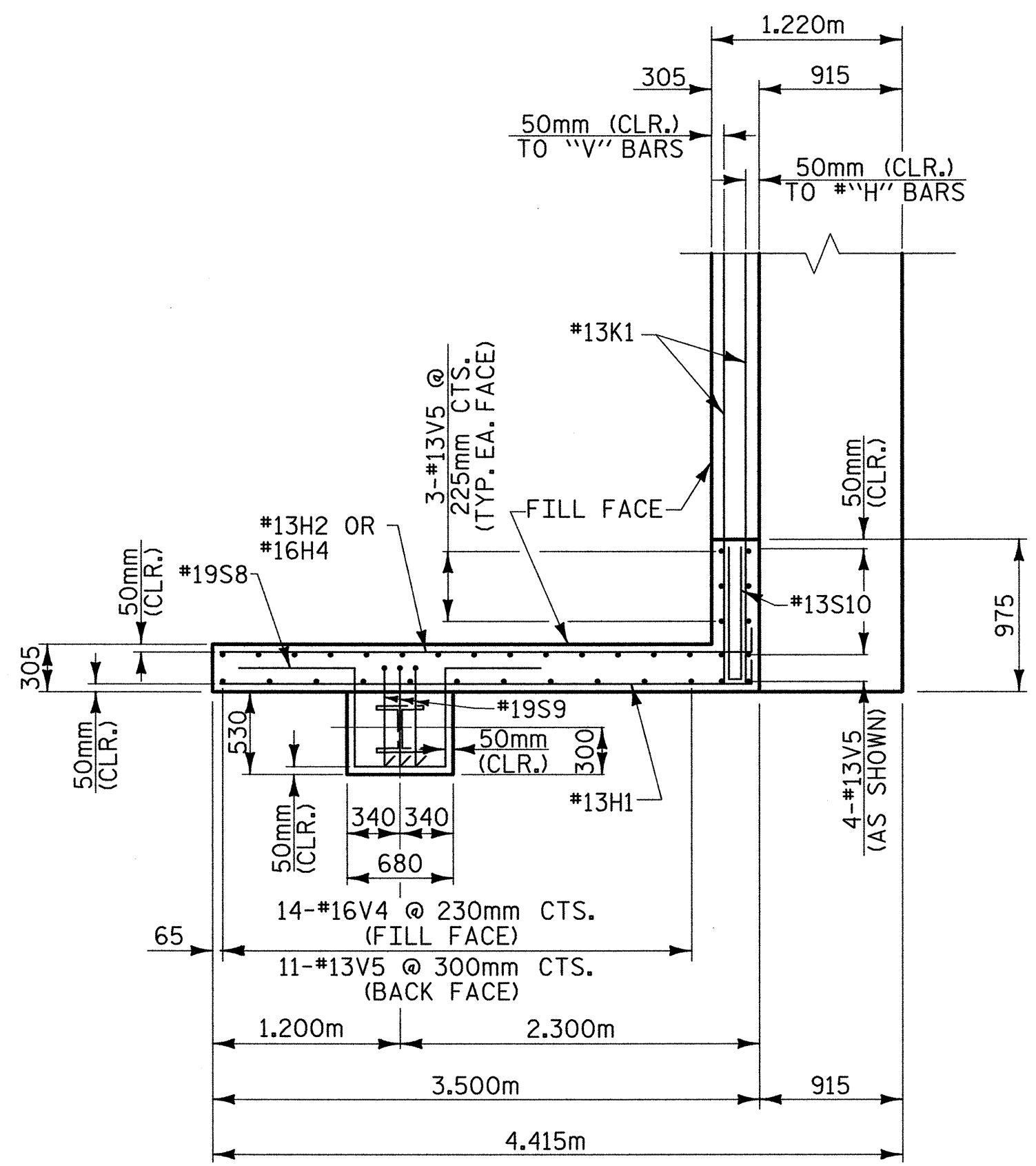
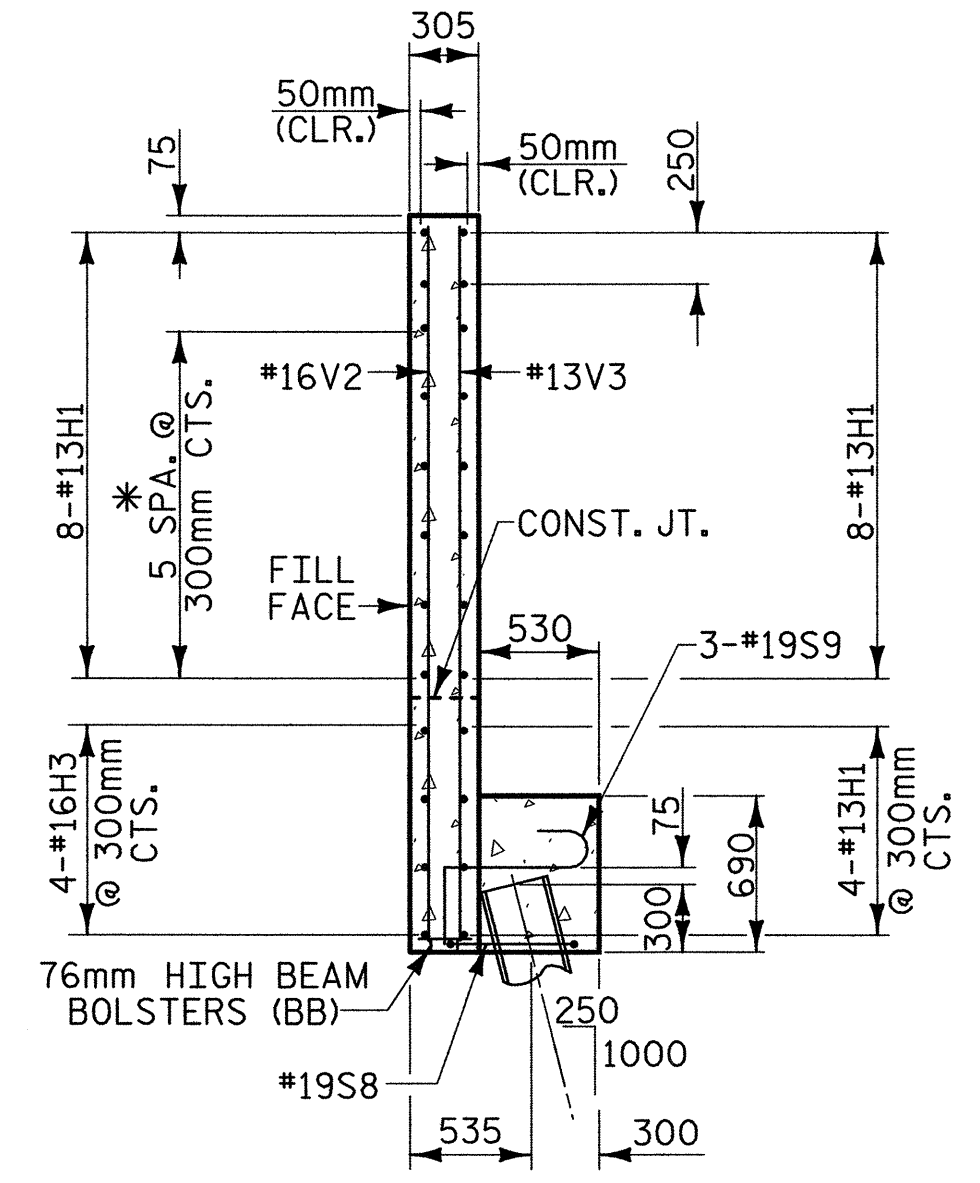


W1 PLAN OF LEFT WING

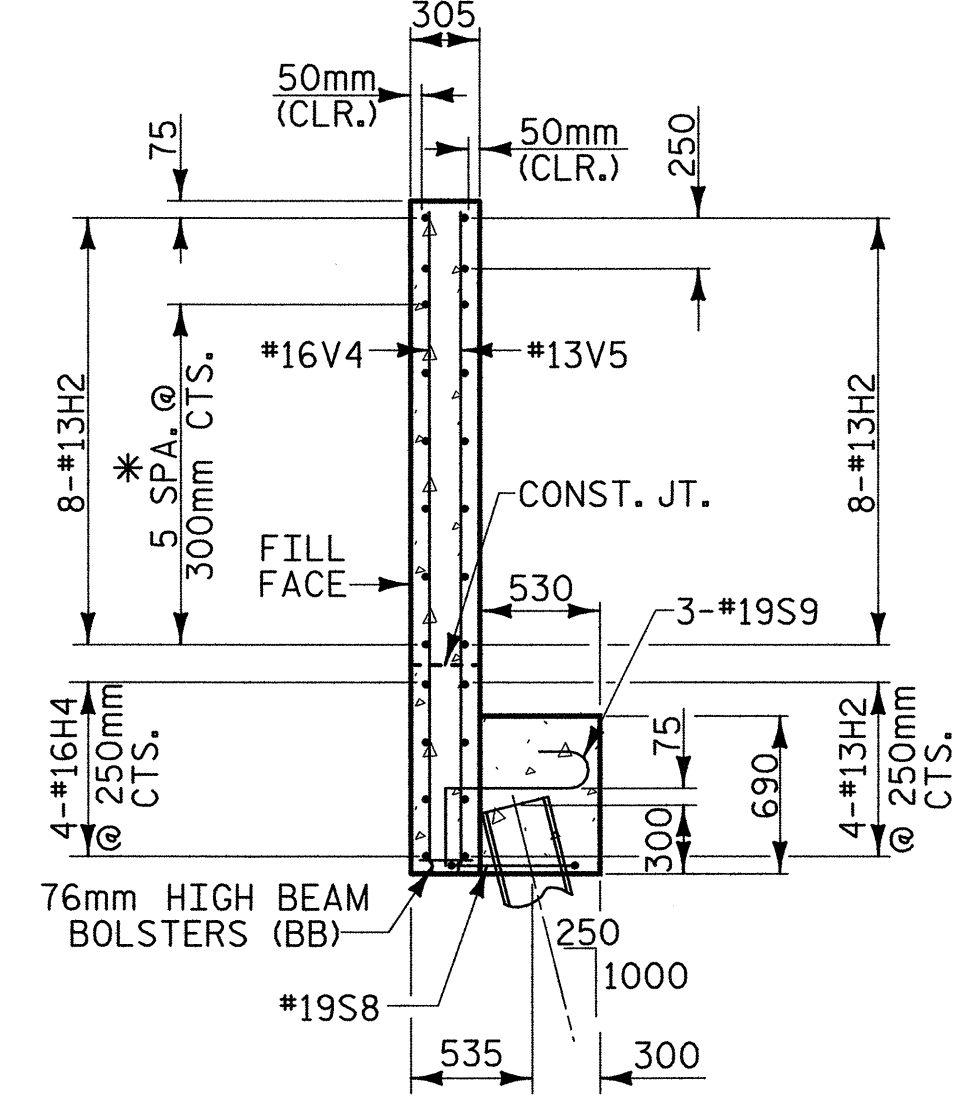


W2 PLAN OF RIGHT WING

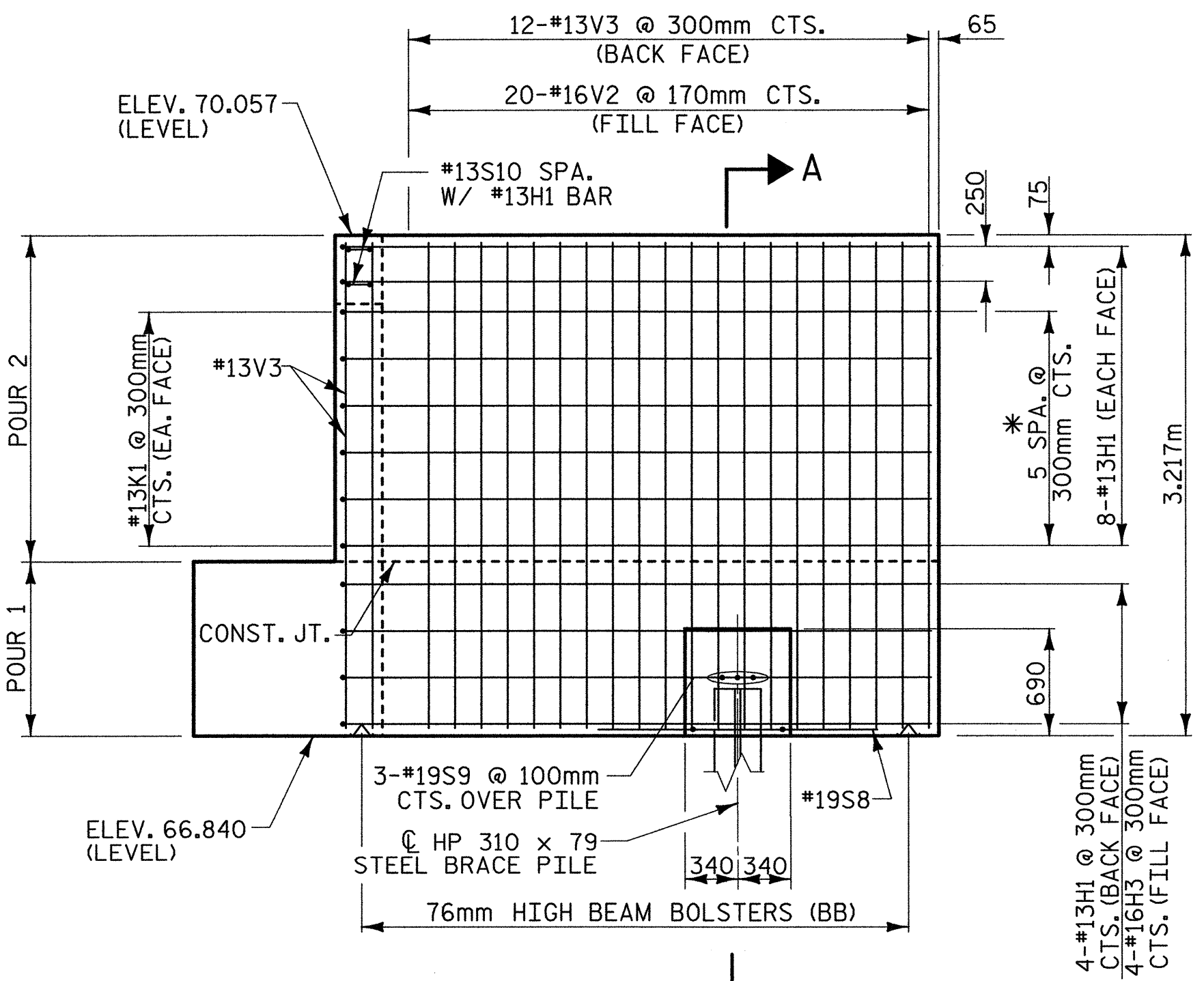
\* MATCH "H" BARS TO "K" BARS IN BACKWALL AS SHOWN



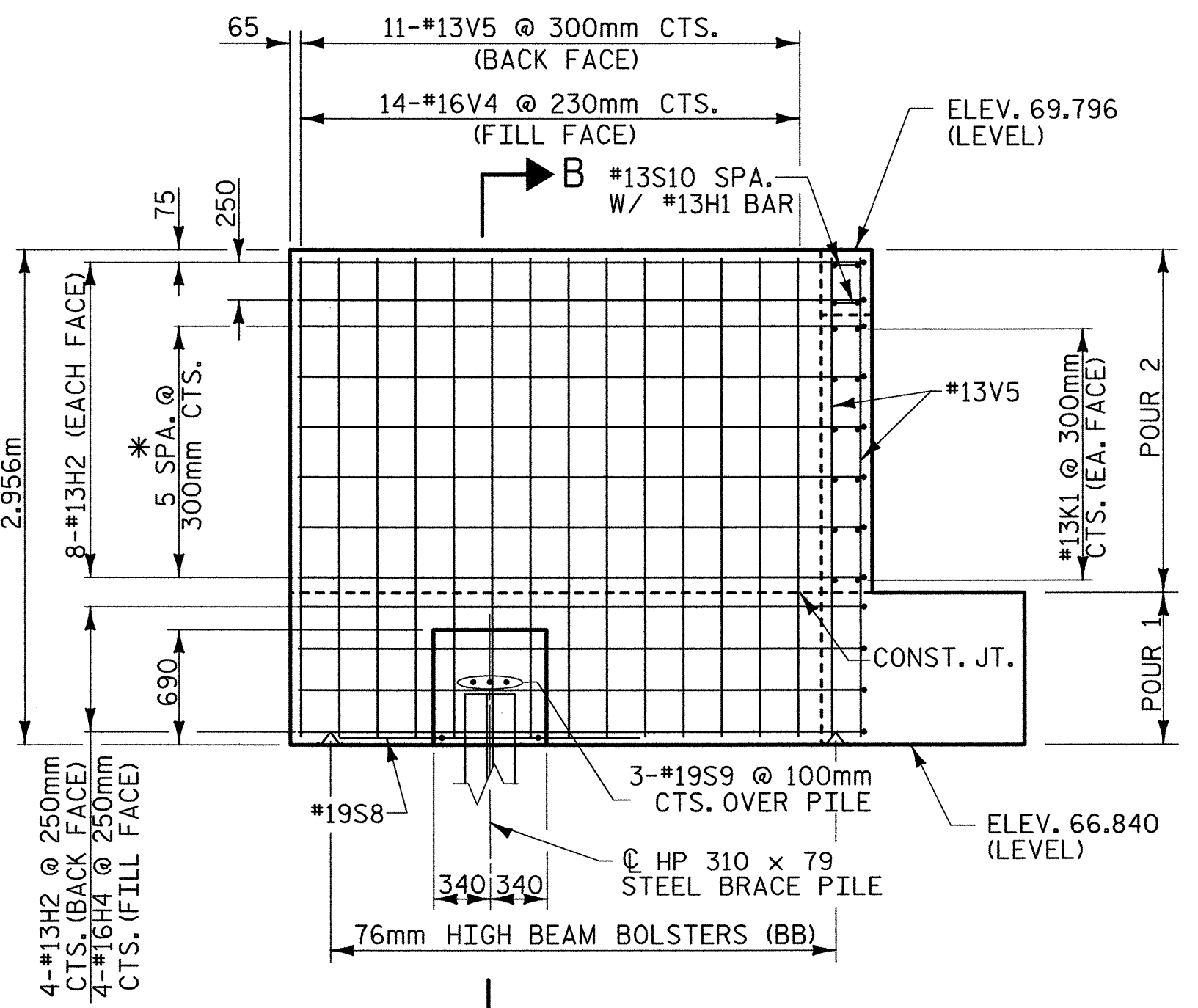
SECTION A-A



SECTION B-B



W1 ELEVATION OF LEFT WING



W2 ELEVATION OF RIGHT WING

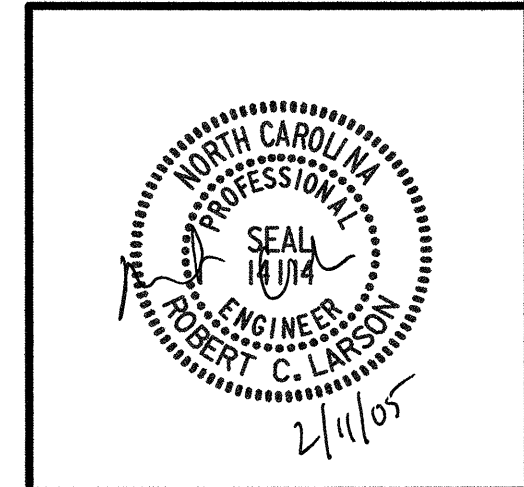


PROJECT NO. R-252AA  
 WAKE - JOHNSTON COUNTY  
 STATION: 14+38.000 -LREV- POT

SHEET 2 OF 3

STATE OF NORTH CAROLINA  
 DEPARTMENT OF TRANSPORTATION  
 RALEIGH

SUBSTRUCTURE  
 END BENT 1  
 (RIGHT LANE)



REVISIONS		SHEET NO.	
NO.	BY:	DATE:	NO.
1			3
2			4

REFERENCE NO. BR-24

02/04/2005 07:45:13 AM C:\p\project\2004\213\01R-252AA\Structures\Site\Right Lane\R252AA.LD.L02.dgn

DRAWN BY: J. P. SHERMAN DATE: 12/04  
 CHECKED BY: R. C. LARSON DATE: 12/04