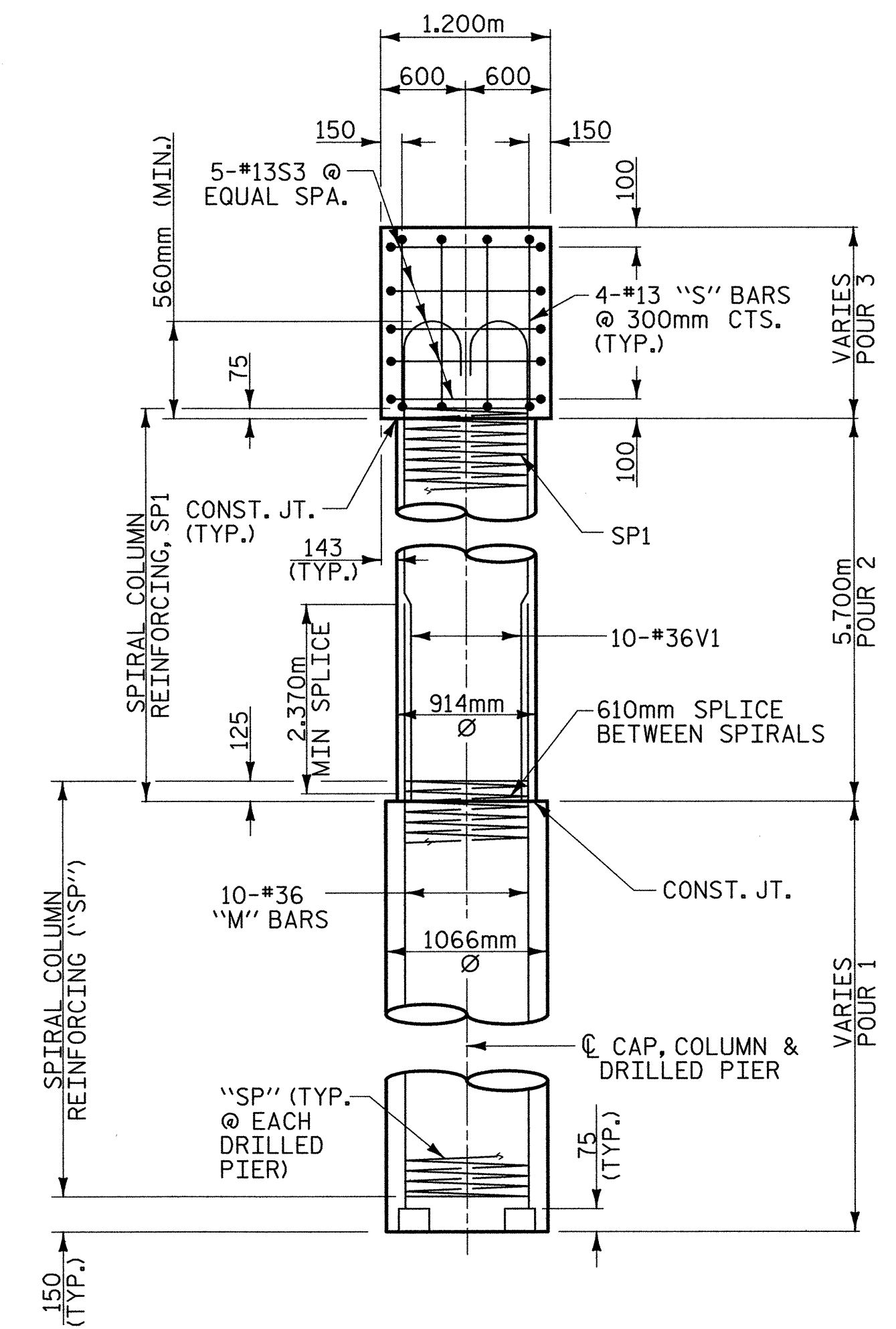
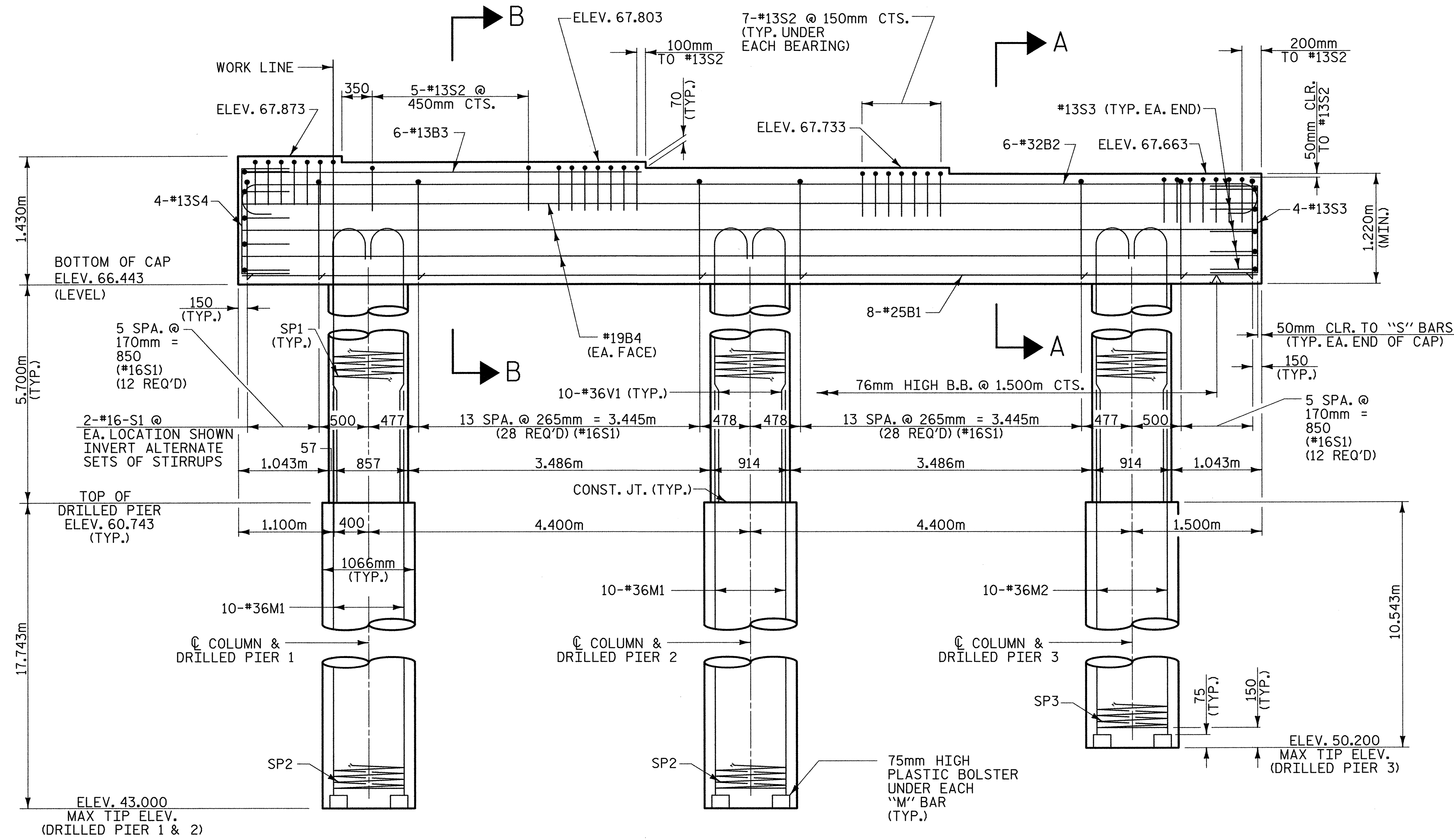


PLAN OF CAP



END ELEVATION



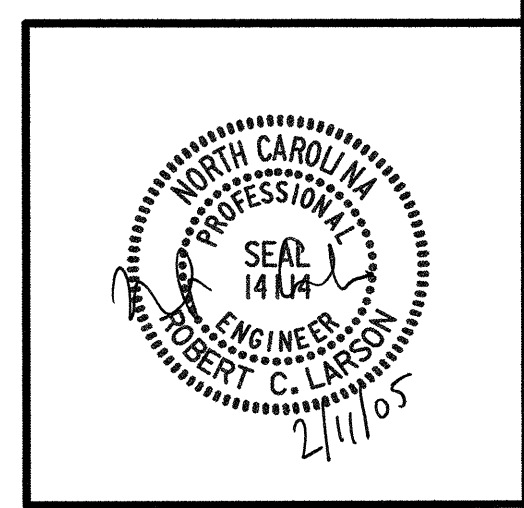
ELEVATION



PROJECT NO. R-252AA  
 WAKE - JOHNSTON COUNTY  
 STATION: 14+38.000 -LREV- POT

SHEET 1 OF 2

STATE OF NORTH CAROLINA  
 DEPARTMENT OF TRANSPORTATION  
 RALEIGH  
 SUBSTRUCTURE  
 BENT 1  
 (RIGHT LANE)



REVISIONS						SHEET NO.	
NO.	BY:	DATE:	NO.	BY:	DATE:	TOTAL SHEETS	
1			3			5-209	
2			4			429	

REFERENCE NO. BR-26

02/04/2005 07:46:25 AM G:\p\p\lect\2004\23101r-2520\Structures\Site 4\Right Lane\R252AA.LS01.dgn

DRAWN BY : J. P. SHERMAN DATE : 10/04  
 CHECKED BY : R. C. LARSON DATE : 12/04