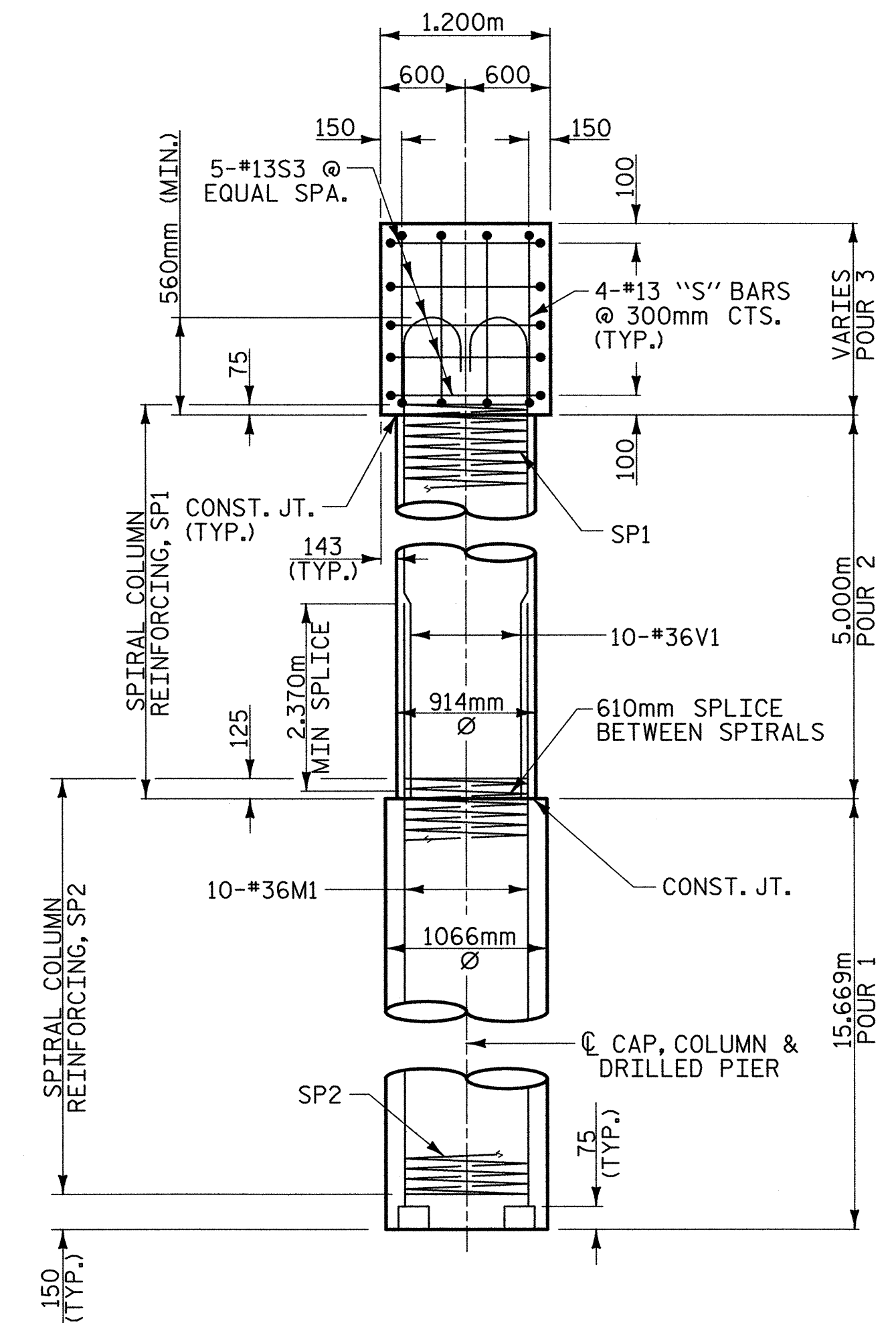
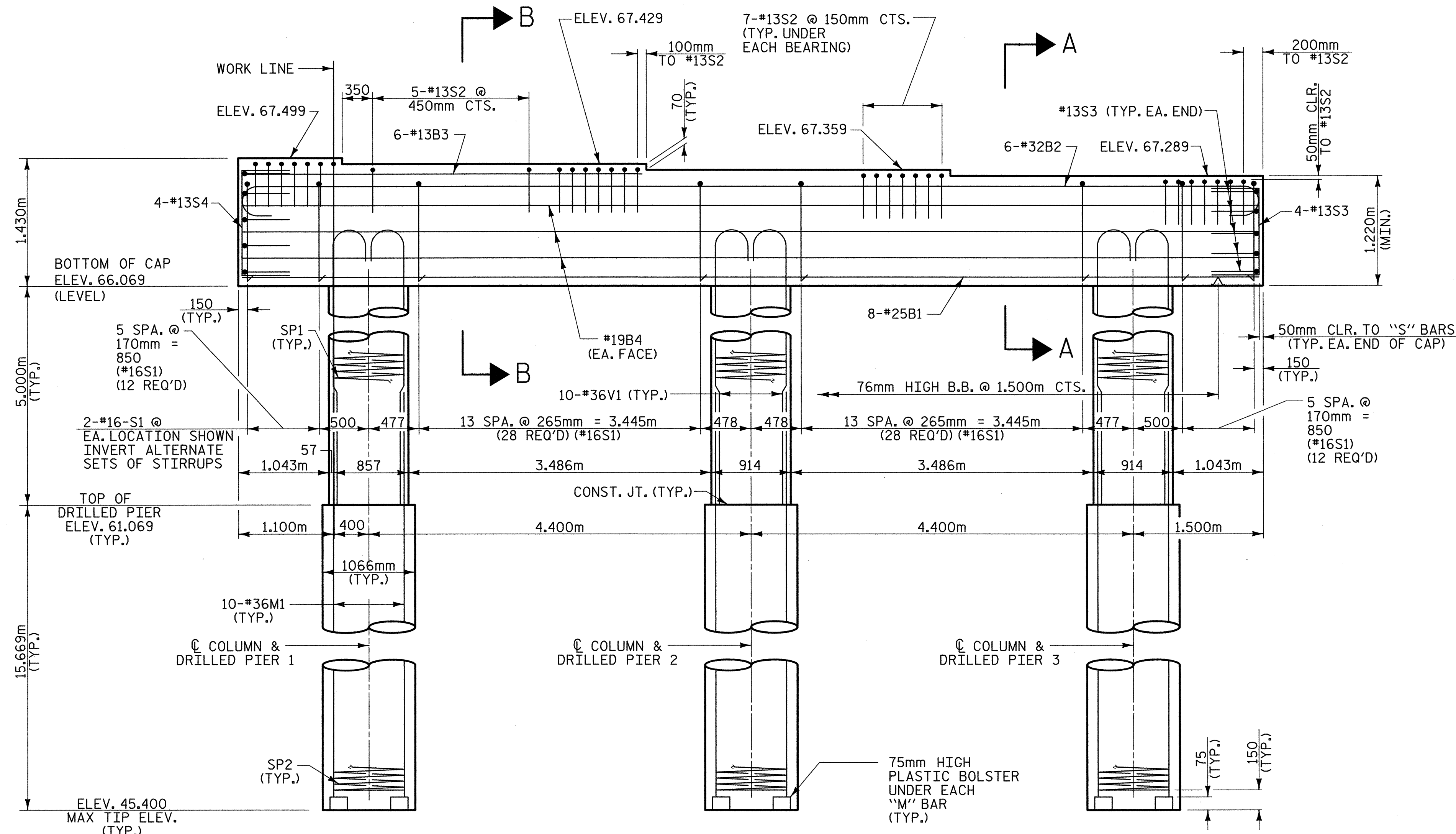


PLAN OF CAP



END ELEVATION



ELEVATION

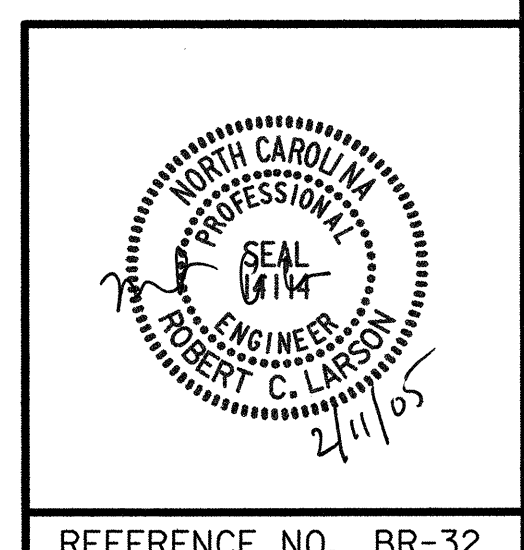


PROJECT NO. R-252AA
WAKE - JOHNSTON COUNTY
 STATION: 14+38.000 -LREV- POT

SHEET 1 OF 2

STATE OF NORTH CAROLINA
 DEPARTMENT OF TRANSPORTATION
 RALEIGH

SUBSTRUCTURE
 BENT 4
 (RIGHT LANE)



PLANS PREPARED BY:
MULKEY
 ENGINEERS & CONSULTANTS
 P.O. Box 33187
 RALEIGH, N.C. 27636
 (919) 881-1111
 (919) 881-1018 (FAX)
 WWW.MULKEYINC.COM

REVISIONS						SHEET NO. 3-215 TOTAL SHEETS 429
NO.	BY:	DATE:	NO.	BY:	DATE:	
1			3			REFERENCE NO. BR-32
2			4			

02/04/2005 07:49:27 AM G:\p\c\lect\2004\2004-2004\2004-252AA\Structures\Site 4\Right Lane\R252AA.LD.B4.01.dgn

DRAWN BY: J. P. SHERMAN DATE: 10/04
 CHECKED BY: R. C. LARSON DATE: 12/04