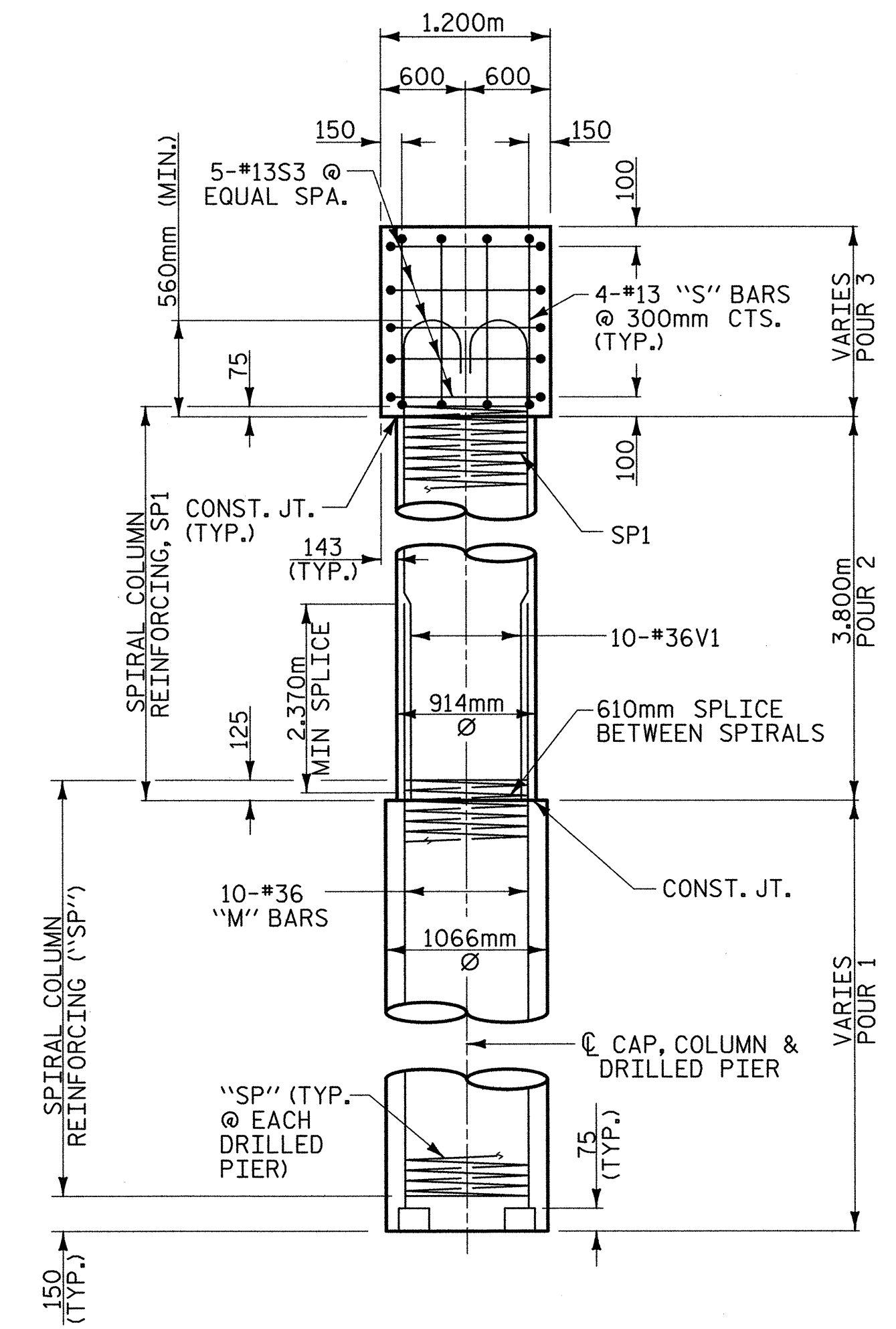
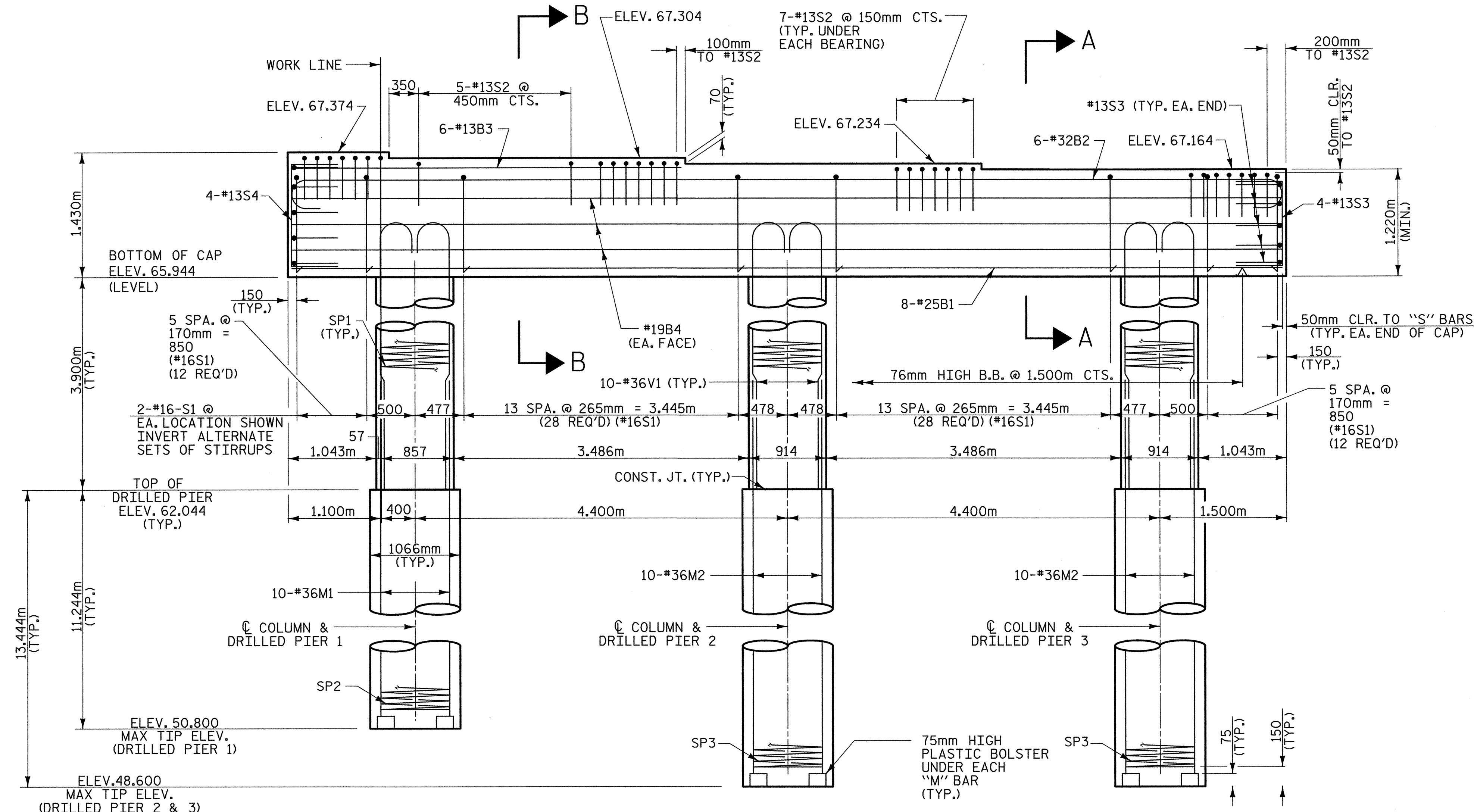


PLAN OF CAP



END ELEVATION



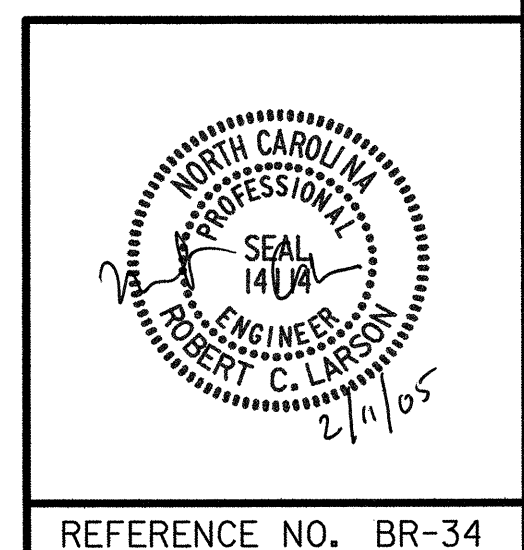
ELEVATION



PROJECT NO. R-2552AA
 WAKE - JOHNSTON COUNTY
 STATION: 14+38.000 -LREV- POT

SHEET 1 OF 2

STATE OF NORTH CAROLINA
 DEPARTMENT OF TRANSPORTATION
 RALEIGH
 SUBSTRUCTURE
 BENT 5
 (RIGHT LANE)



PLANS PREPARED BY:
MULKEY
 ENGINEERS & CONSULTANTS
 P.O. BOX 99197
 RALEIGH, N.C. 27696
 (919) 851-1812
 (919) 851-1818 (FAX)
 WWW.MULKEYINC.COM

REVISIONS						SHEET NO. S-217
NO.	BY:	DATE:	NO.	BY:	DATE:	
1			3			TOTAL SHEETS 429
2			4			

REFERENCE NO. BR-34

02/04/2005 07:50:07 AM G:\p\0\lect\2004\2310\2552\Structures\Site 4\Right Lane\R2552AA_SD_B5.dwg

DRAWN BY: J. P. SHERMAN DATE: 10/04
 CHECKED BY: R. C. LARSON DATE: 12/04