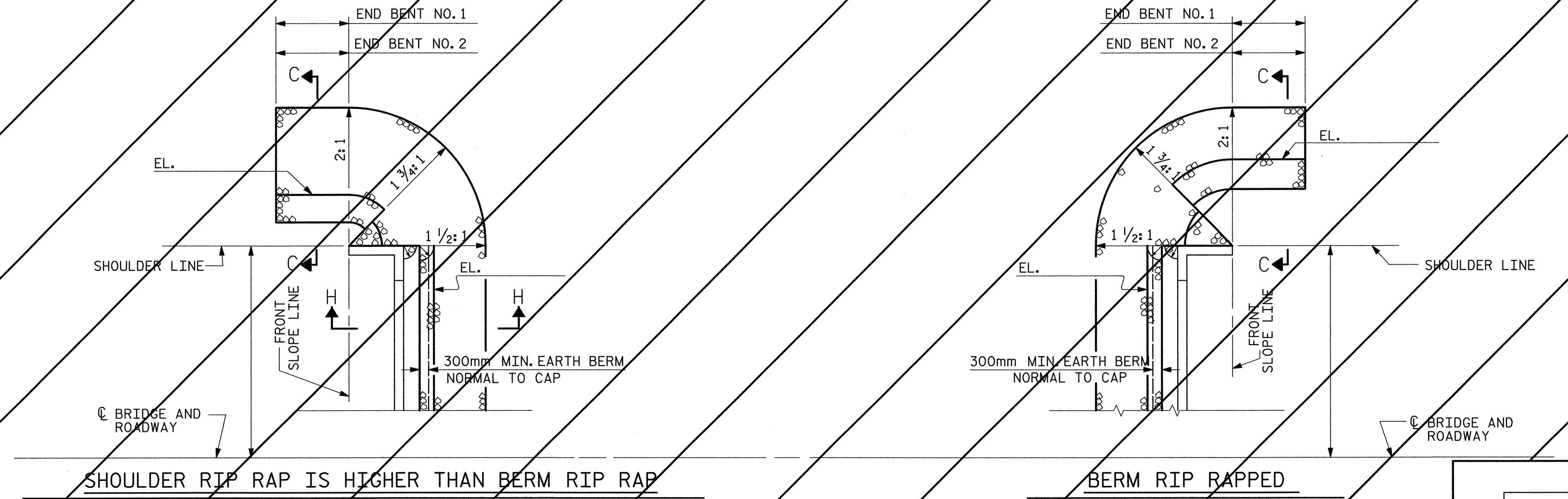
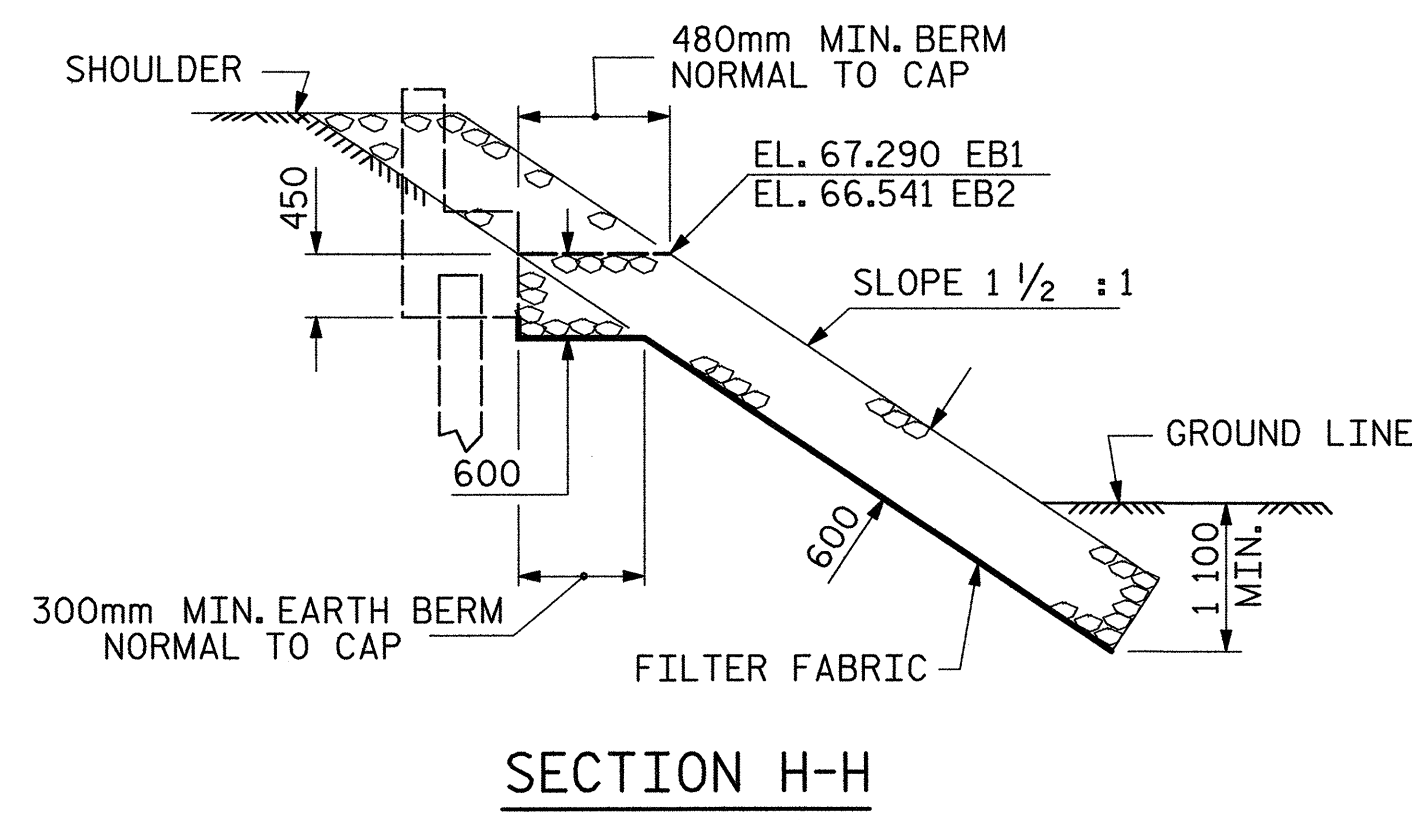


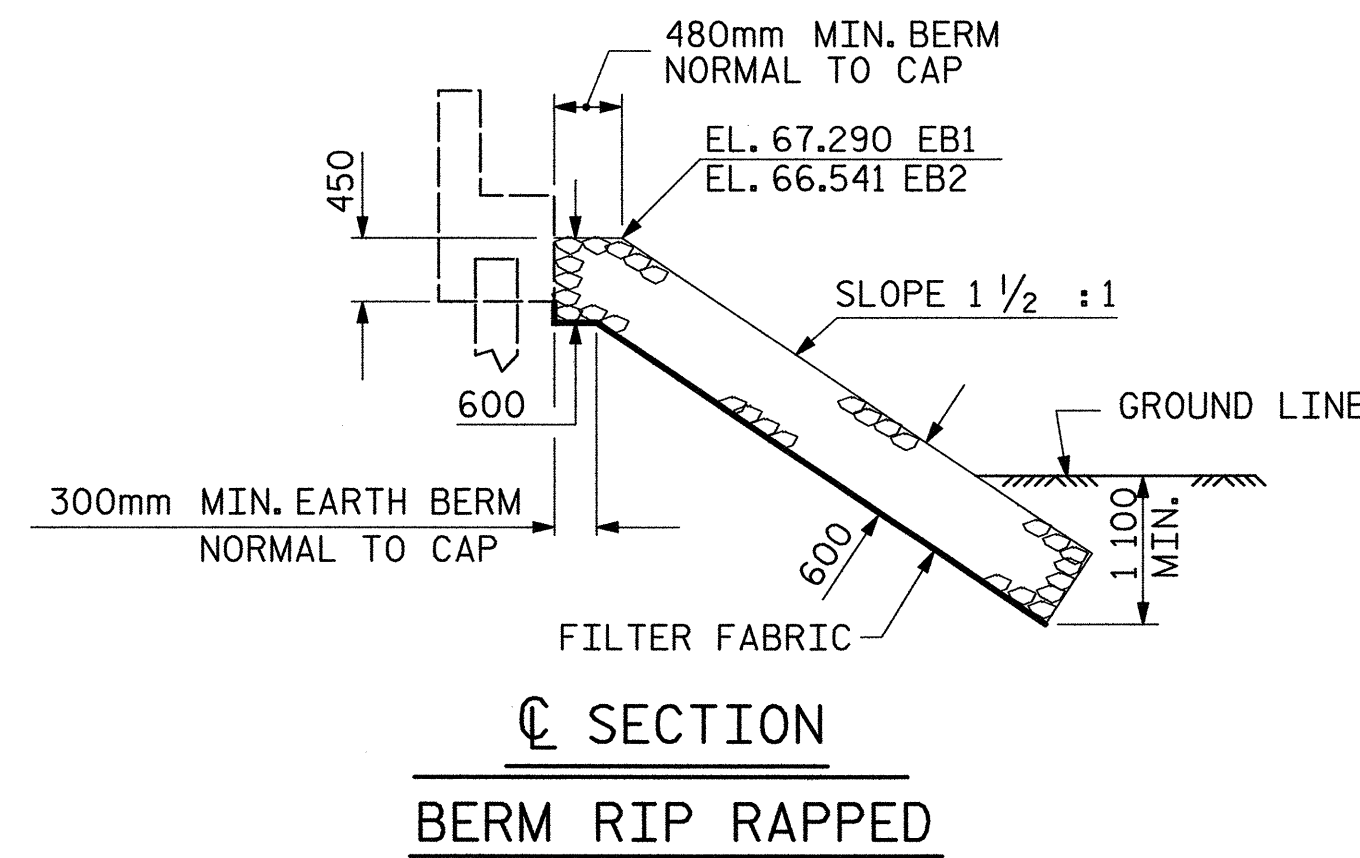
NOTES :
FOR BERM WIDTH DIMENSIONS, SEE GENERAL DRAWING.



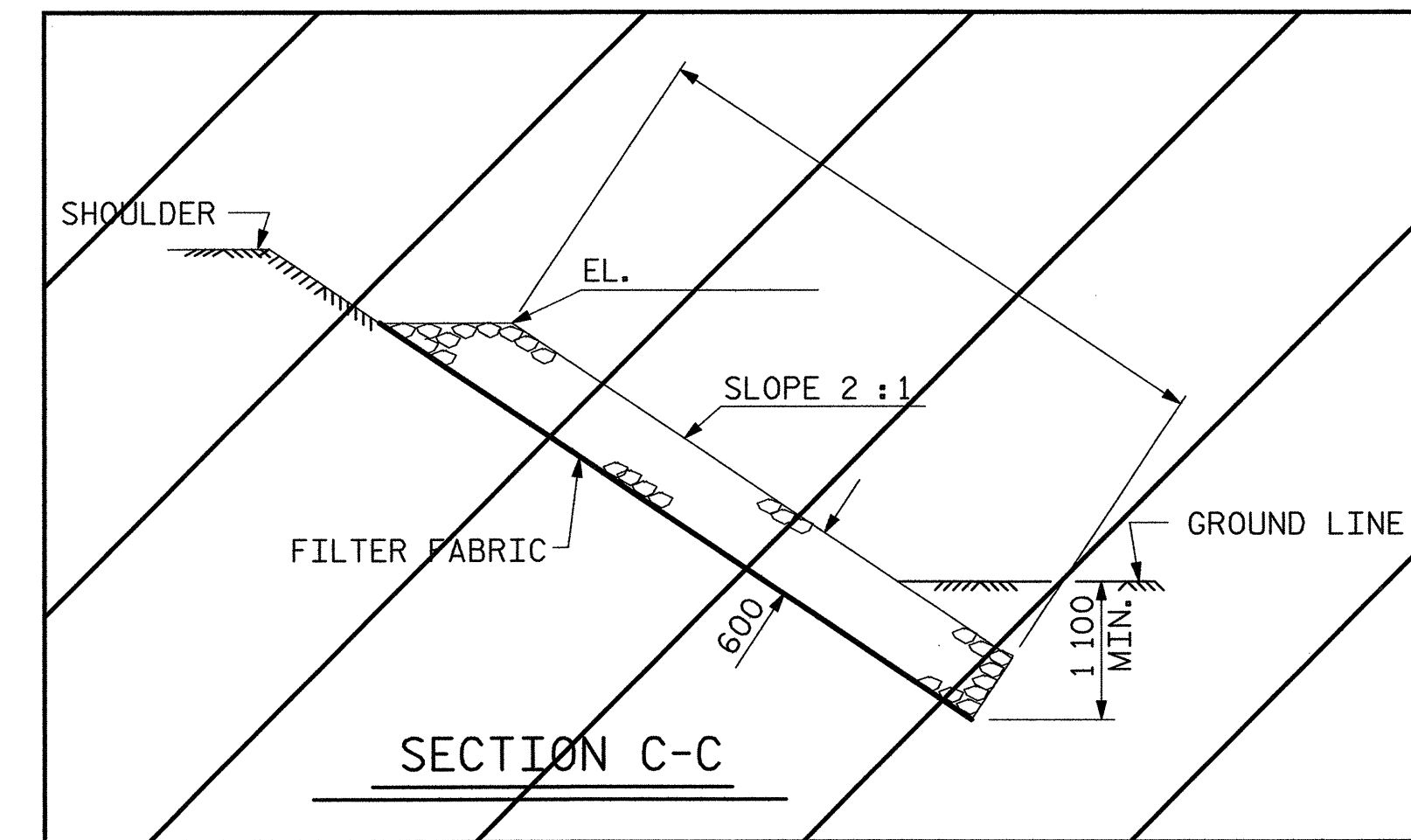
ESTIMATED QUANTITIES		
BRIDGE @ STA. 14+38.000 -LREV- (RIGHT LANE)	PLAIN RIP RAP CLASS I	FILTER FABRIC FOR DRAINAGE
	METRIC TON	SQUARE METERS
END BENT 1	360	365
END BENT 2	205	210



SECTION H-H



SECTION C-C
BERM RIP RAPPED



SECTION C-C

PROJECT NO. R-2552AA
WAKE - JOHNSTON COUNTY
STATION: 14+38.000 -LREV- POT

SHEET 2 OF 2

STATE OF NORTH CAROLINA
DEPARTMENT OF TRANSPORTATION
RALEIGH

STANDARD
RIP RAP DETAILS
(RIGHT LANE)

STD. NO. RR2SM

REVISIONS						SHEET NO.
NO.	BY:	DATE:	NO.	BY:	DATE:	TOTAL SHEETS
1			3			5-223
2			4			429

THIS STANDARD DRAWING REVIEWED & ADOPTED FOR USE AT THE REFERENCED LOCATION BY THE UNDERSIGNED:



REFERENCE NO. BR-40

02/11/2005 09:25:48 AM G:\p\01\ect\2004\21301R-2552A\Structures\Site A\Right Lane\RR2SM.dgn

ASSEMBLED BY : W. B. ALLEN DATE : 12/04
CHECKED BY : R. C. LARSON DATE : 12/04
DRAWN BY : FCJ 2/88 REV. 7/17/98 REK/RWW
CHECKED BY : ARB 8/88 REV. 8/16/99 RWW/LES
REV. 10/17/00 RWW/LES