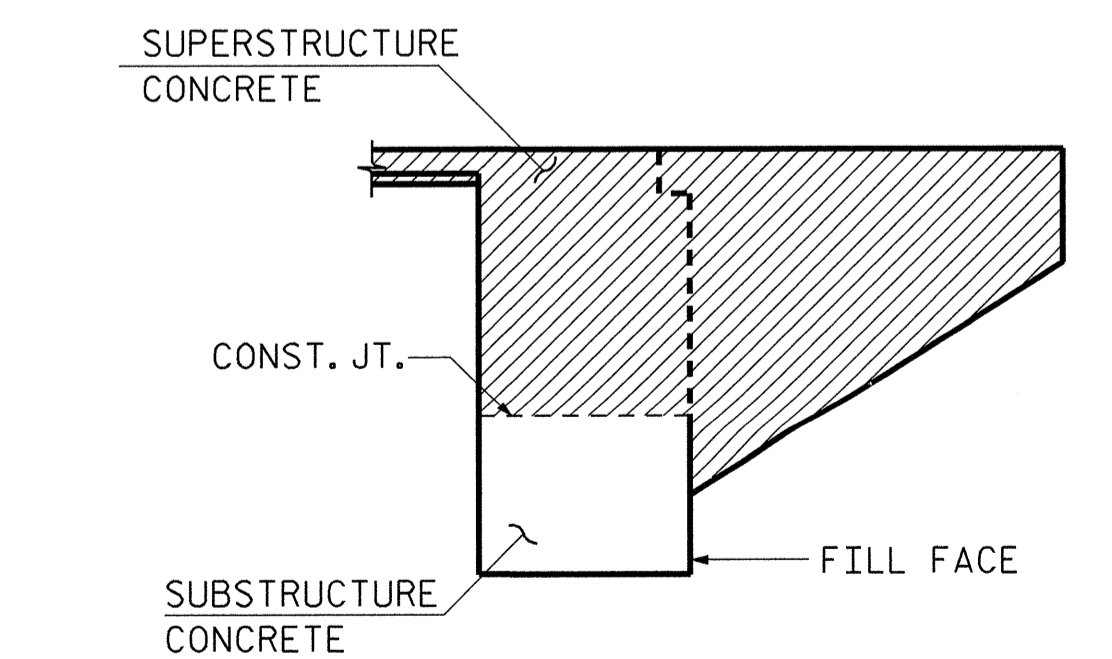
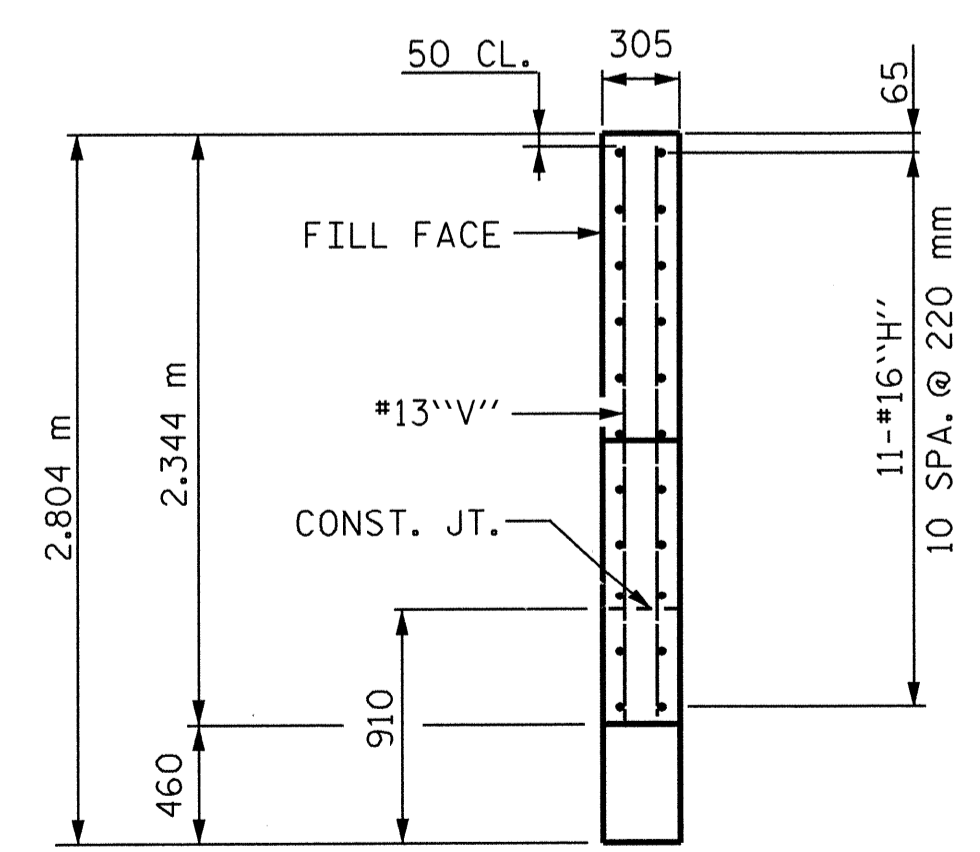
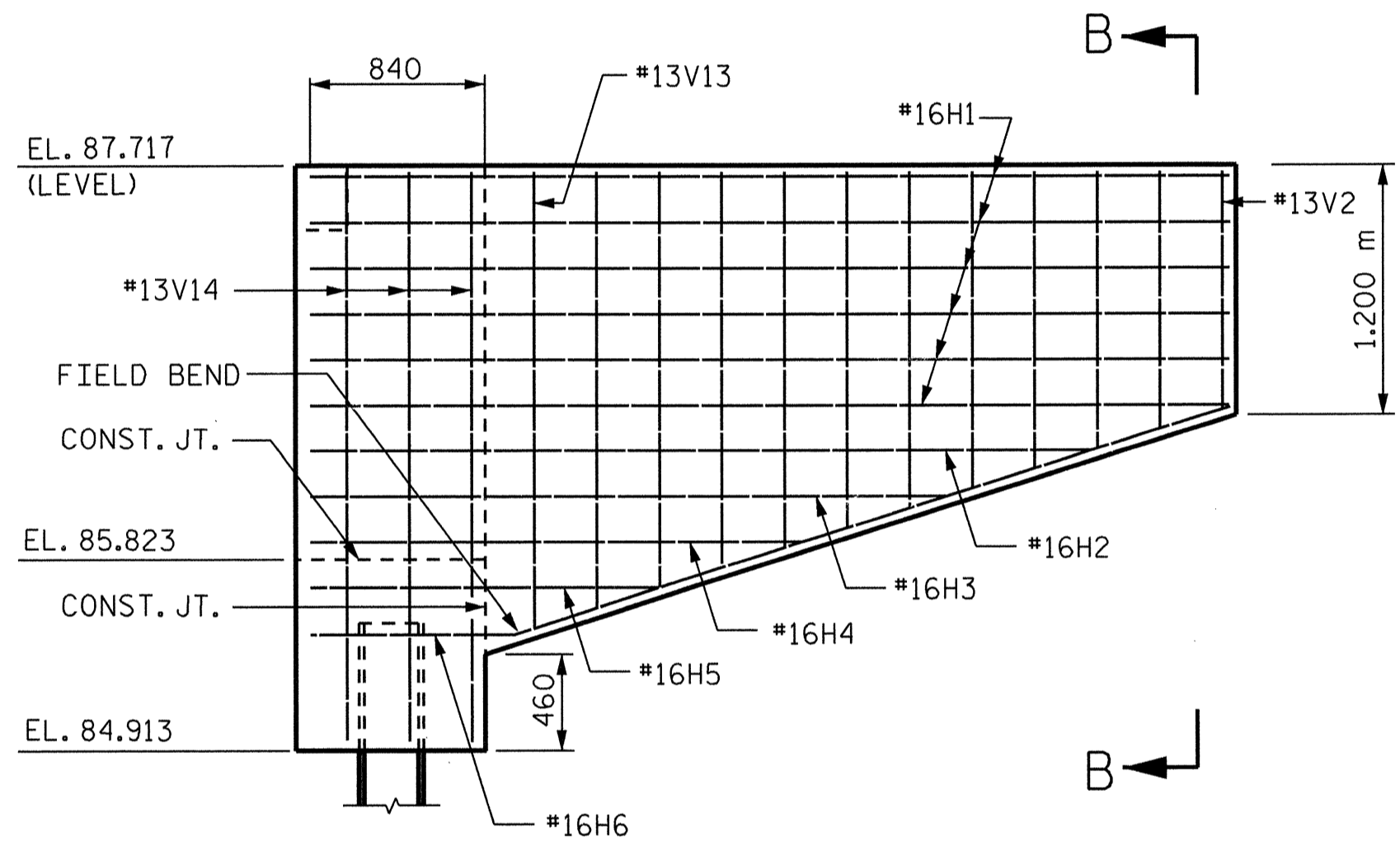
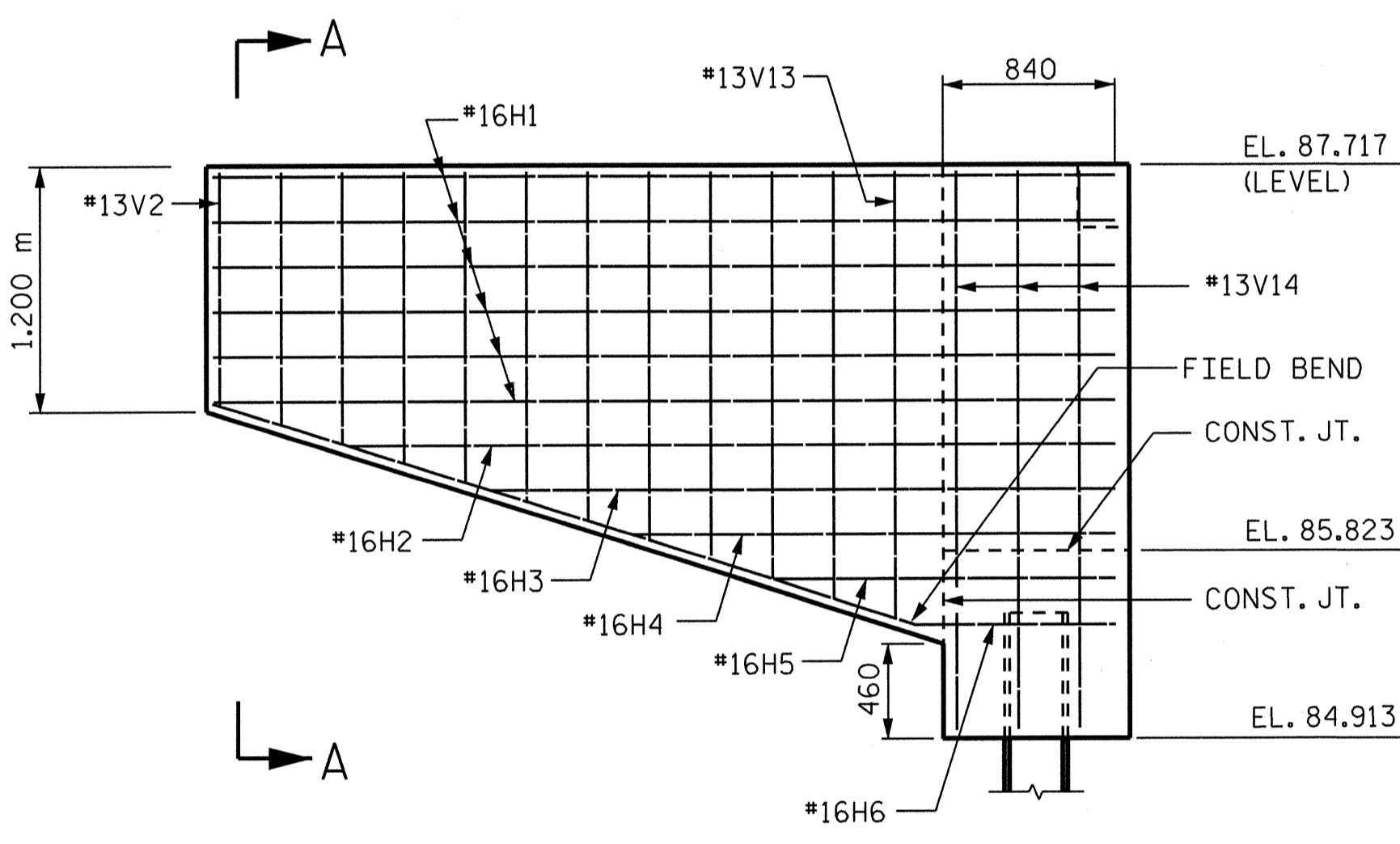
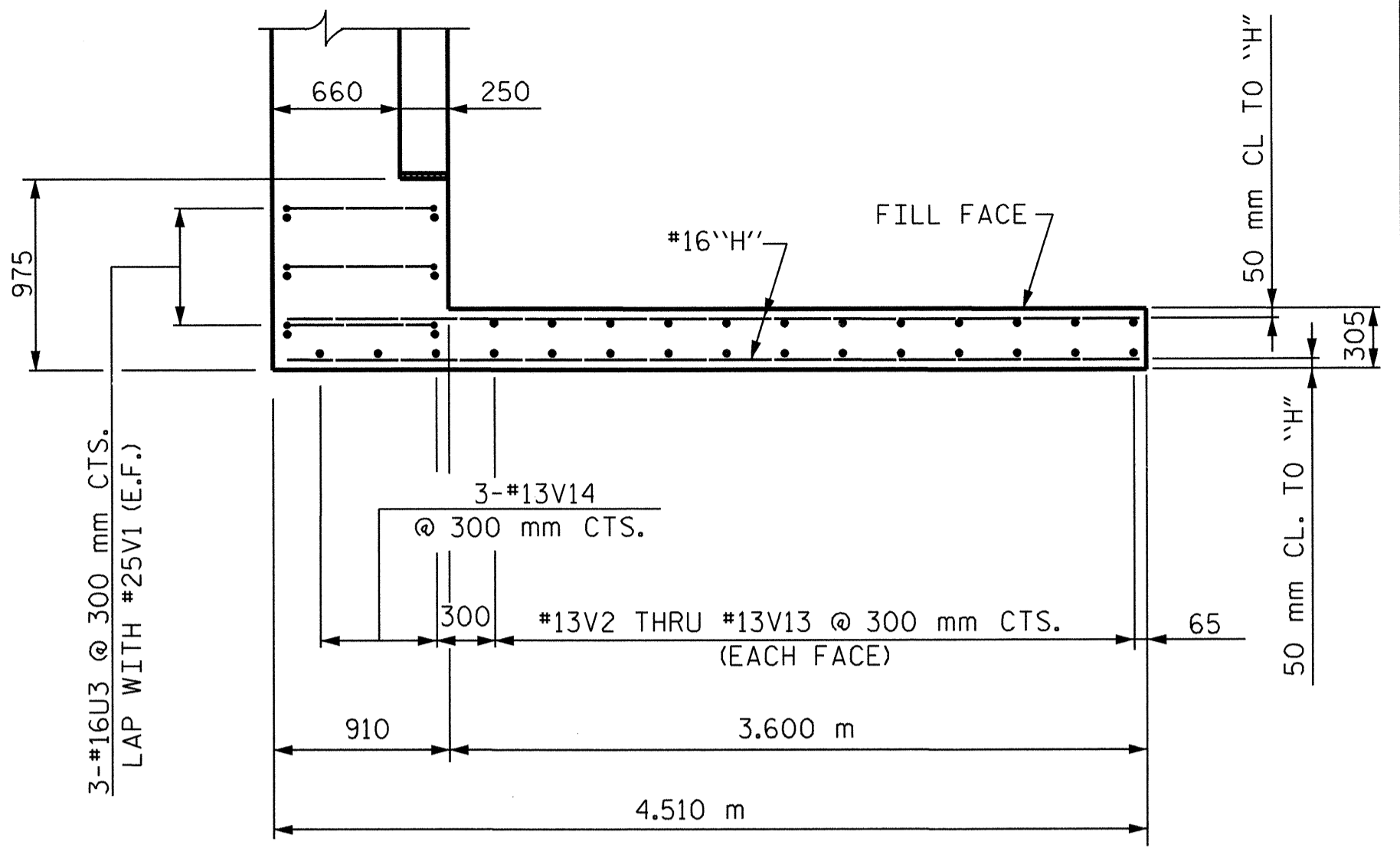
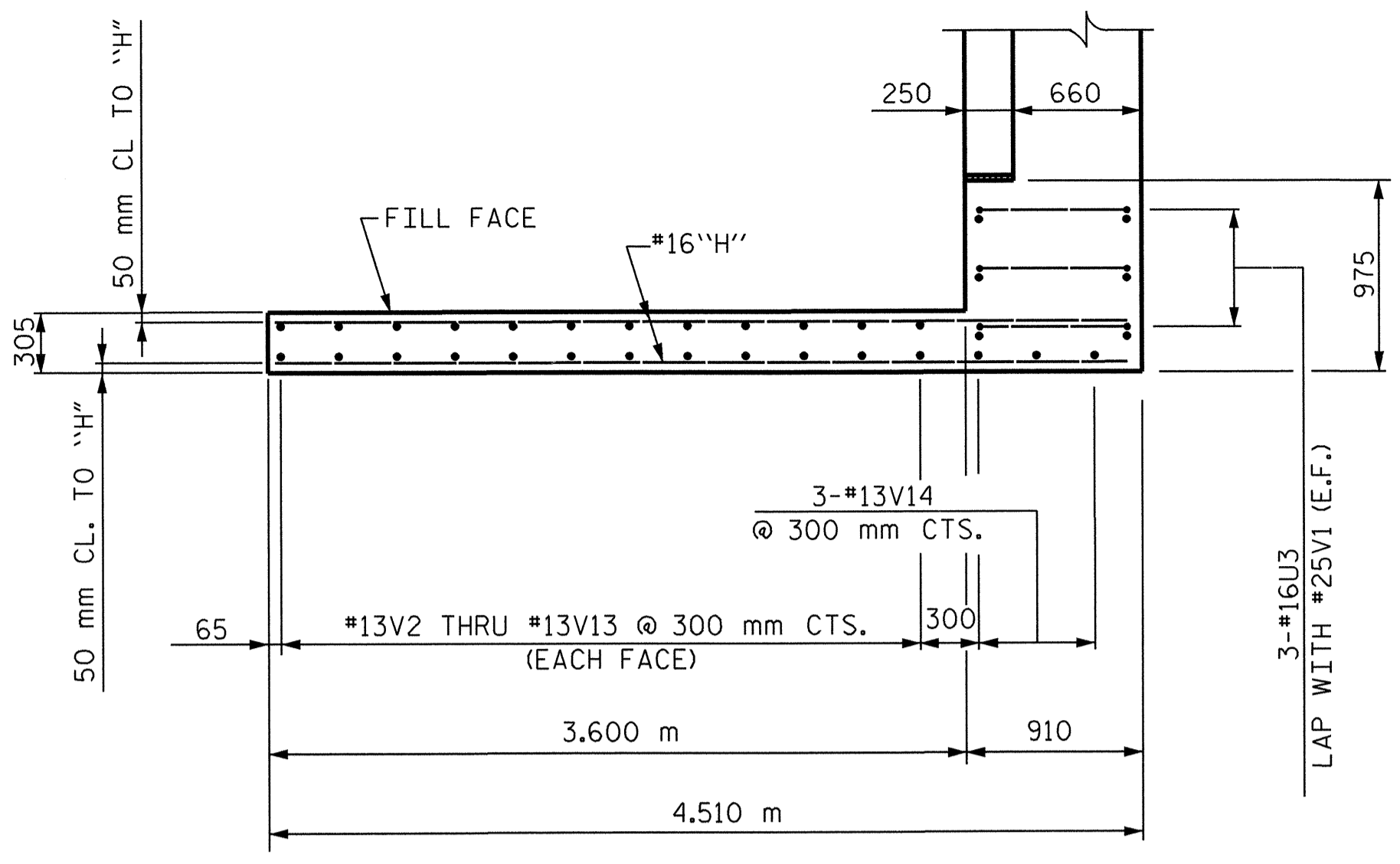
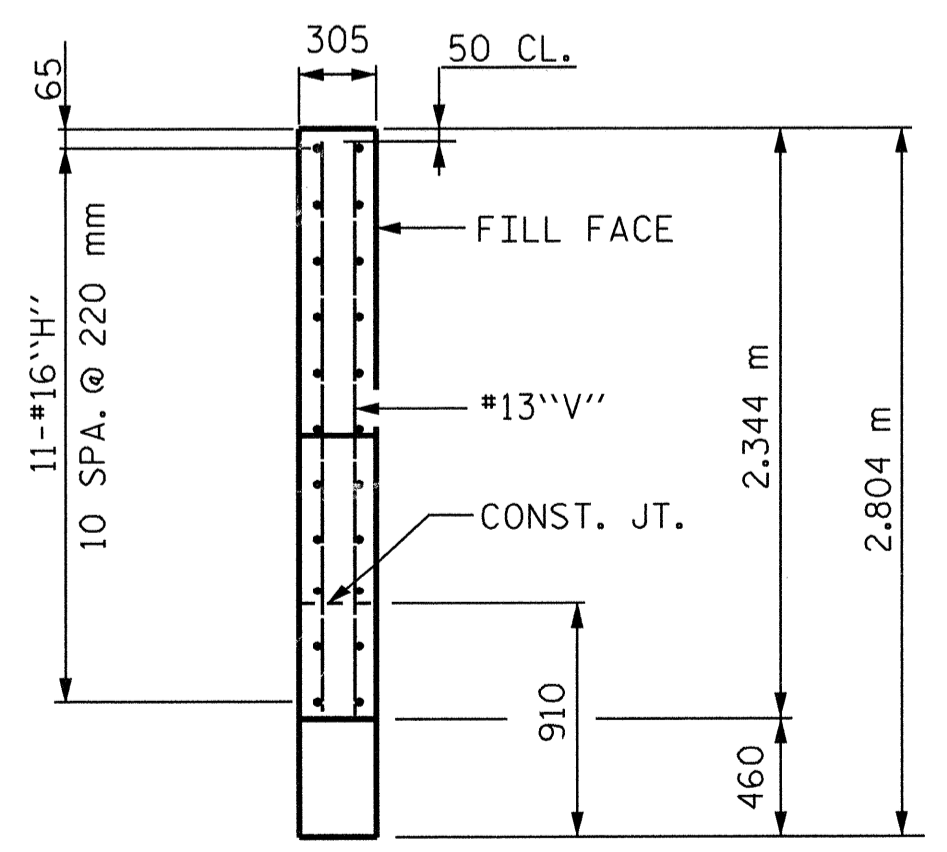


G:\COMMONS\304046\BRIDGE\SITE5\DGN\FINAL\ R2552AA-SD-EB13-05.DGN



NOTES:
 CONCRETE QUANTITIES OF INTEGRAL END BENT CAP ABOVE CONSTRUCTION JOINT AND WINGWALLS IS INCLUDED IN SUPERSTRUCTURE QUANTITY.
 REINFORCING STEEL IN THESE AREAS IS INCLUDED IN END BENT QUANTITY.
 FOR CONSTRUCTION SEQUENCE, SEE "INTEGRAL END BENT GIRDER DETAILS" SHEET.



BAR TYPES

1: 180° HK, 275, 12070, 275

2: U1=800, U2=560, U3=800, 600 (TYP.), 900 (TYP.), 900 (TYP.), 600, 140 (TYP.)

3: 135° HK (TYP.), 800, 800

4: 135° HK (TYP.), 140 (TYP.), 800

5: 460, 120°, 900, 670, 120°, 150°, 510, 180° HK

6: 850, 120°, 150°, 670

7: SPACERS, 508 Ø (TYP.), 1/2 EXTRA TURNS, 75 mm PITCH, 535, 1/2 EXTRA TURNS

NOTE: ALL BAR DIMENSIONS ARE OUT TO OUT.

BILL OF MATERIAL

END BENT 2					
BAR	NO.	SIZE	TYPE	LENGTH	WEIGHT
B1	8	#25		12620	401
B2	4	#19	STR.	12080	108
B3	11	#13	STR.	800	9
B4	8	#13	STR.	6420	51
B5	10	#16	STR.	12080	187
H1	24	#16	STR.	4400	164
H2	4	#16	STR.	3800	24
H3	4	#16	STR.	3100	19
H4	4	#16	STR.	2400	15
H5	4	#16	STR.	1700	11
H6	4	#16	STR.	4700	29
K1	6	#13	STR.	2200	13
S1	109	#16	4	1080	183
S2	37	#16	3	2680	154
SP1	8	**	7	15540	124
RE1	30	#13	5	1220	36
RE2	30	#16	6	2420	113
U1	36	#16	2	2000	112
U2	36	#13	2	2060	74
U3	6	#13	2	2600	16
V1	72	#25	STR.	2300	658
V2	4	#13	STR.	1100	4
V3	4	#13	STR.	1200	5
V4	4	#13	STR.	1300	5
V5	4	#13	STR.	1400	6
V6	4	#13	STR.	1500	6
V7	4	#13	STR.	1580	6
V8	4	#13	STR.	1680	7
V9	4	#13	STR.	1780	7
V10	4	#13	STR.	1880	7
V11	4	#13	STR.	1960	8
V12	4	#13	STR.	2060	8
V13	4	#13	STR.	2160	9
V14	6	#13	STR.	2680	16
SPIRAL REINF. STEEL					124 kg
EPOXY COATED REINFORCING STEEL					149 kg
REINFORCING STEEL					2,322 kg
CLASS "A" CONCRETE POUR 1					10.7 m ³
HP 310 x 79 STEEL PILES					
NO.					8
METER					68.0

PROJECT NO. R-2552AA
 WAKE / JOHNSTON COUNTY
 STATION: 27+61.028 -L- P.O.T.

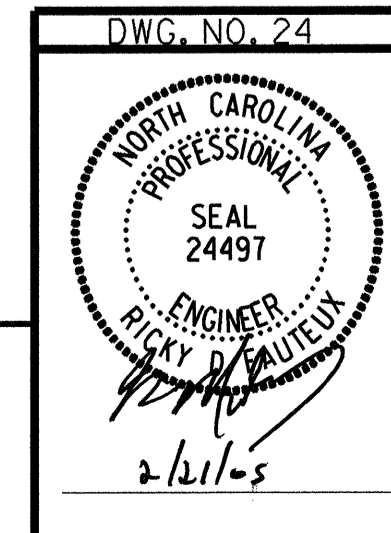
SHEET 3 OF 3

STATE OF NORTH CAROLINA
 DEPARTMENT OF TRANSPORTATION
 RALEIGH

SUBSTRUCTURE
 END BENT 2
 DETAILS

JANUARY 2005

REVISIONS						SHEET NO.
NO.	BY:	DATE:	NO.	BY:	DATE:	5-251
1			3			TOTAL SHEETS
2			4			429



RUMMELKLEPPER & KAHL, LLP
 consulting engineers
 5800 FARRINGTON PLACE - SUITE 105
 RALEIGH, NORTH CAROLINA 27609-3960

DRAWN BY : B. PARRISH DATE : 01/05
 CHECKED BY : R. D. FAUTEUX DATE : 01/05