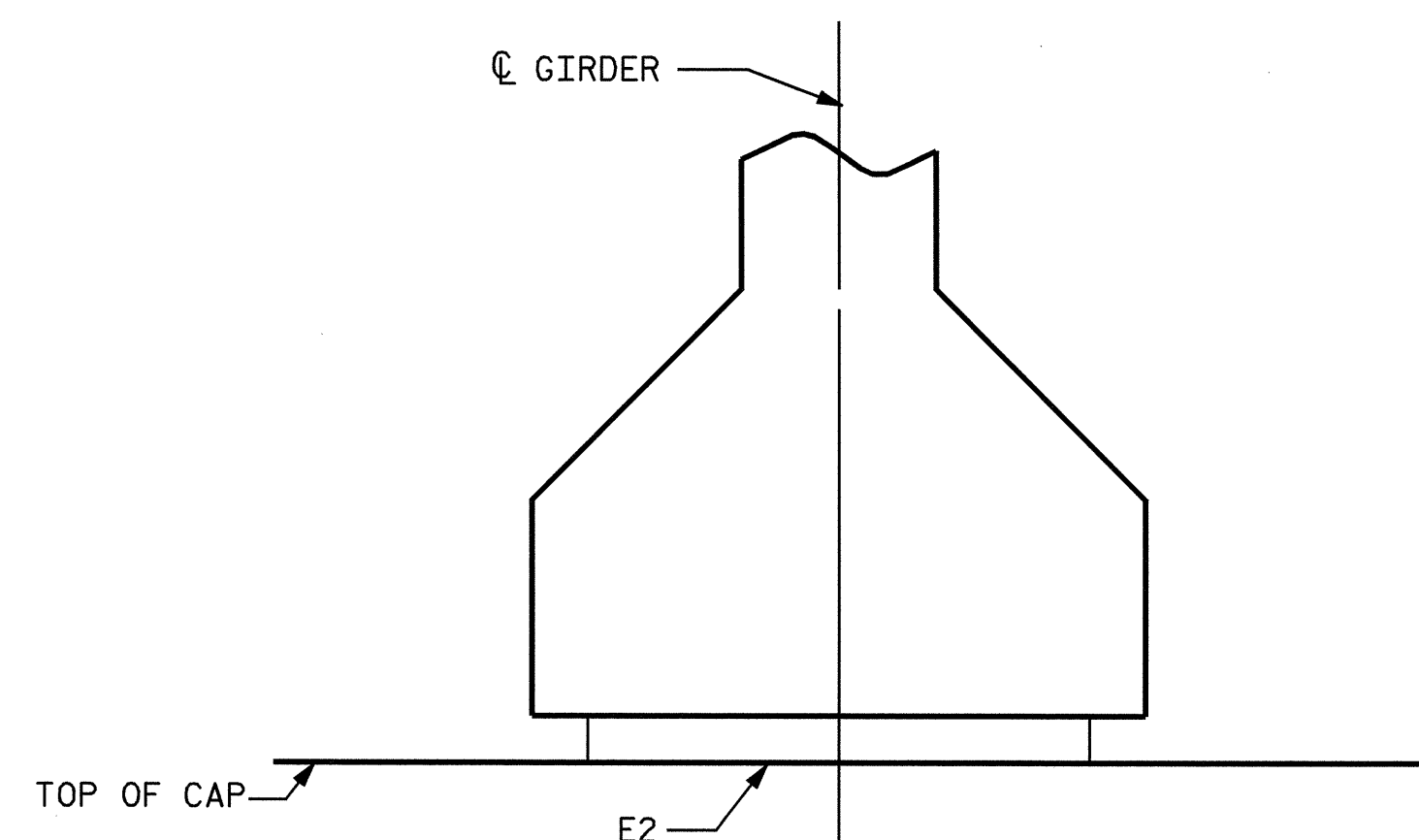


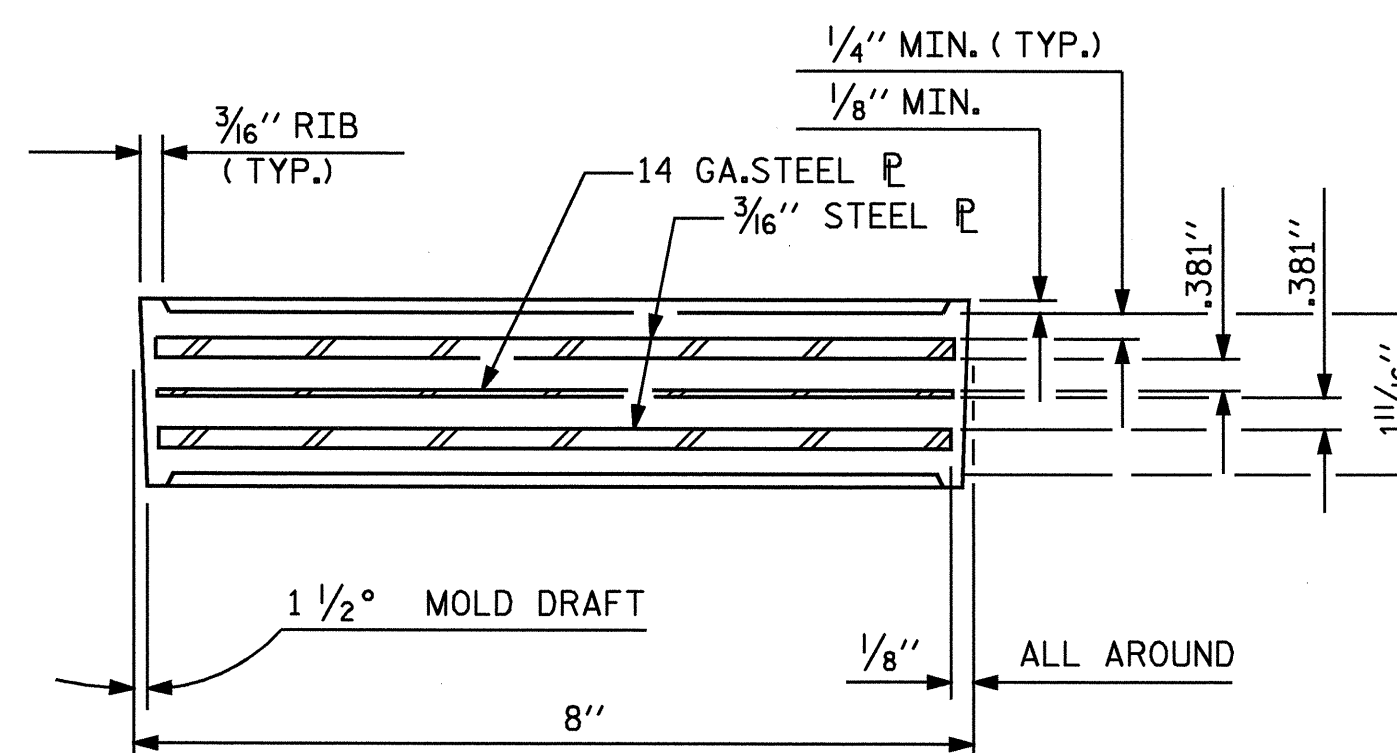
NOTE

FOR ELASTOMERIC BEARINGS, SEE SPECIAL PROVISIONS.

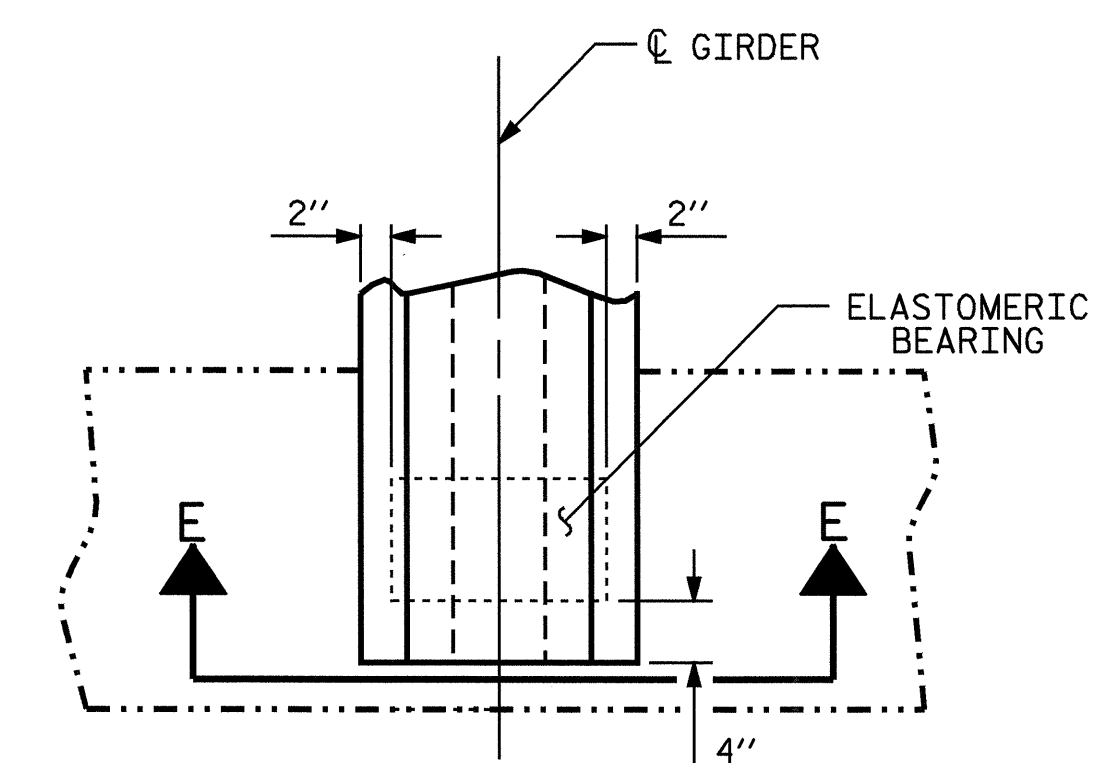
— LOAD RATINGS —	
	MAX. D.L.
TYPE III	115 K



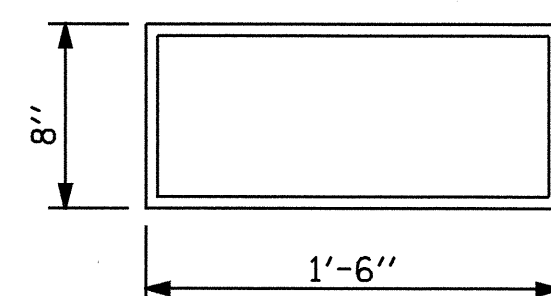
SECTION E-E



TYPICAL SECTION OF ELASTOMERIC BEARINGS

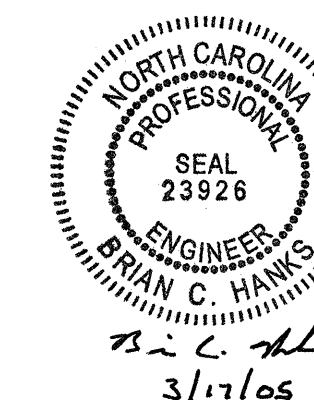


PLAN VIEW



**E2 (10 REQ'D)
PLAN VIEW OF ELASTOMERIC BEARING
TYPE III**

PROJECT NO. B-3700
STANLY COUNTY
 STATION: 16+85.00 -L-



STATE OF NORTH CAROLINA
 DEPARTMENT OF TRANSPORTATION
 RALEIGH

**ELASTOMERIC BEARING
 DETAILS**

REVISIONS						SHEET NO.
NO.	BY:	DATE:	NO.	BY:	DATE:	
1			3			5-9
2			4			TOTAL SHEETS 22

ASSEMBLED BY : B. C. HANKS DATE : 2/10/05
 CHECKED BY : R. W. WRIGHT DATE : 3/2/05