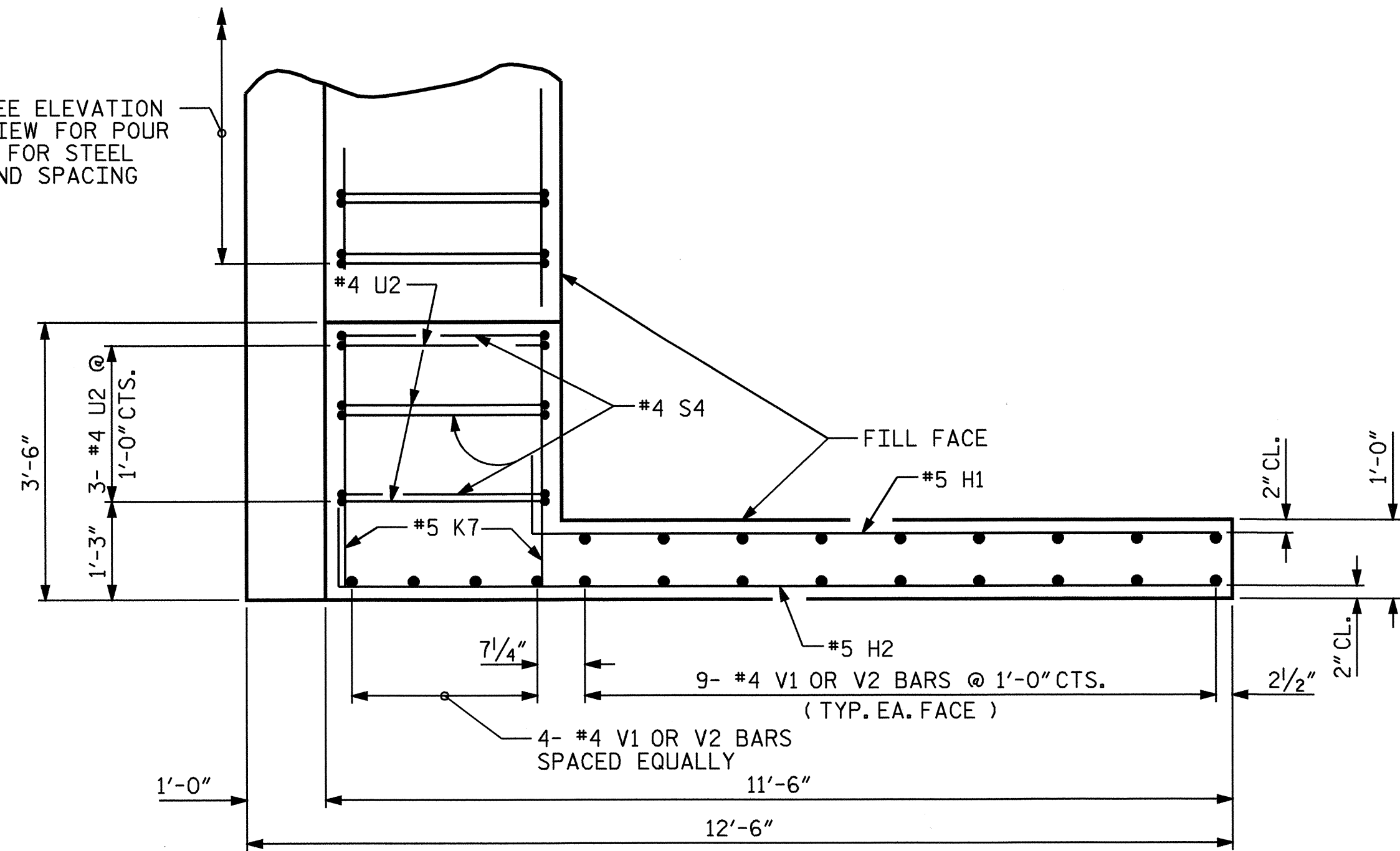
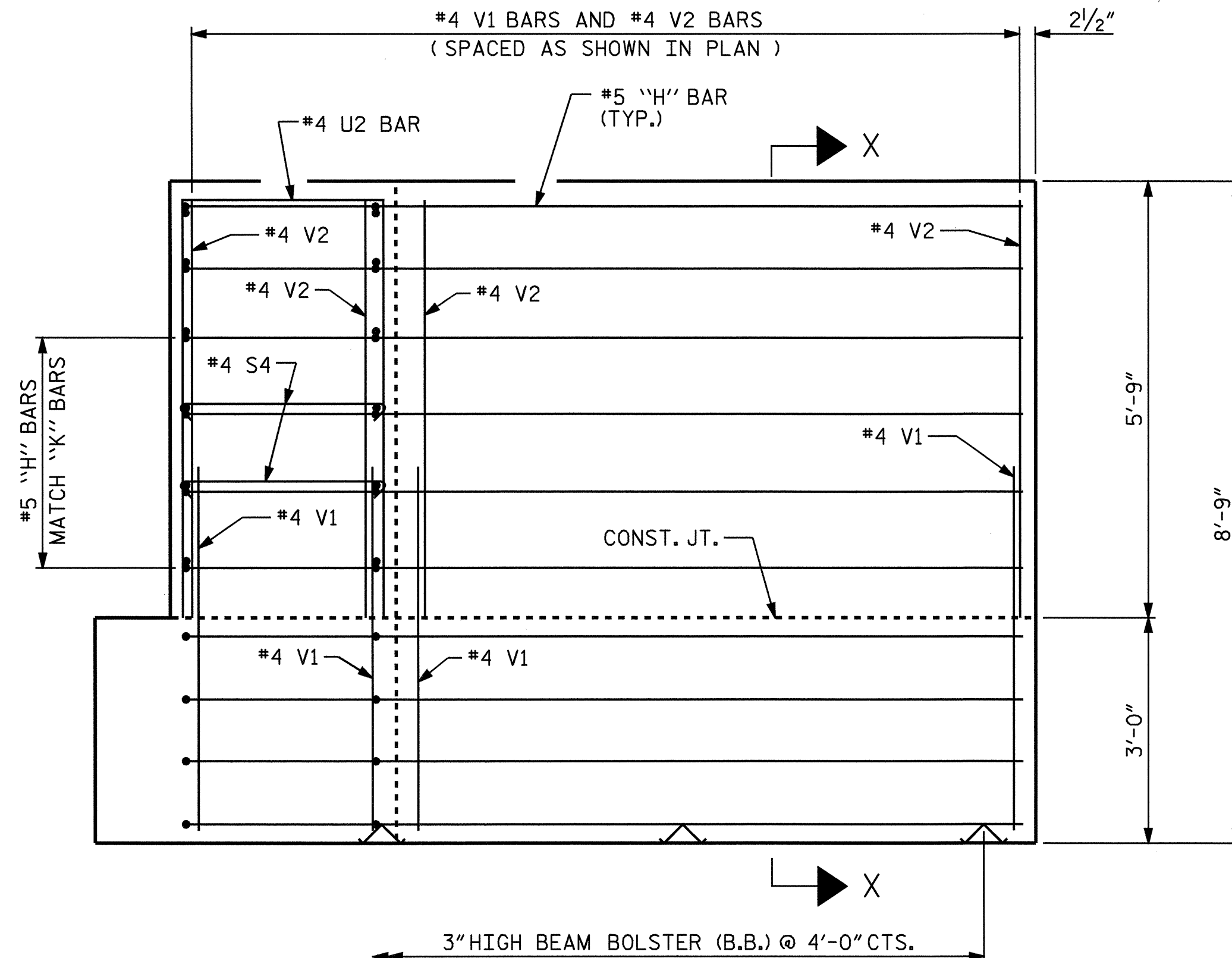


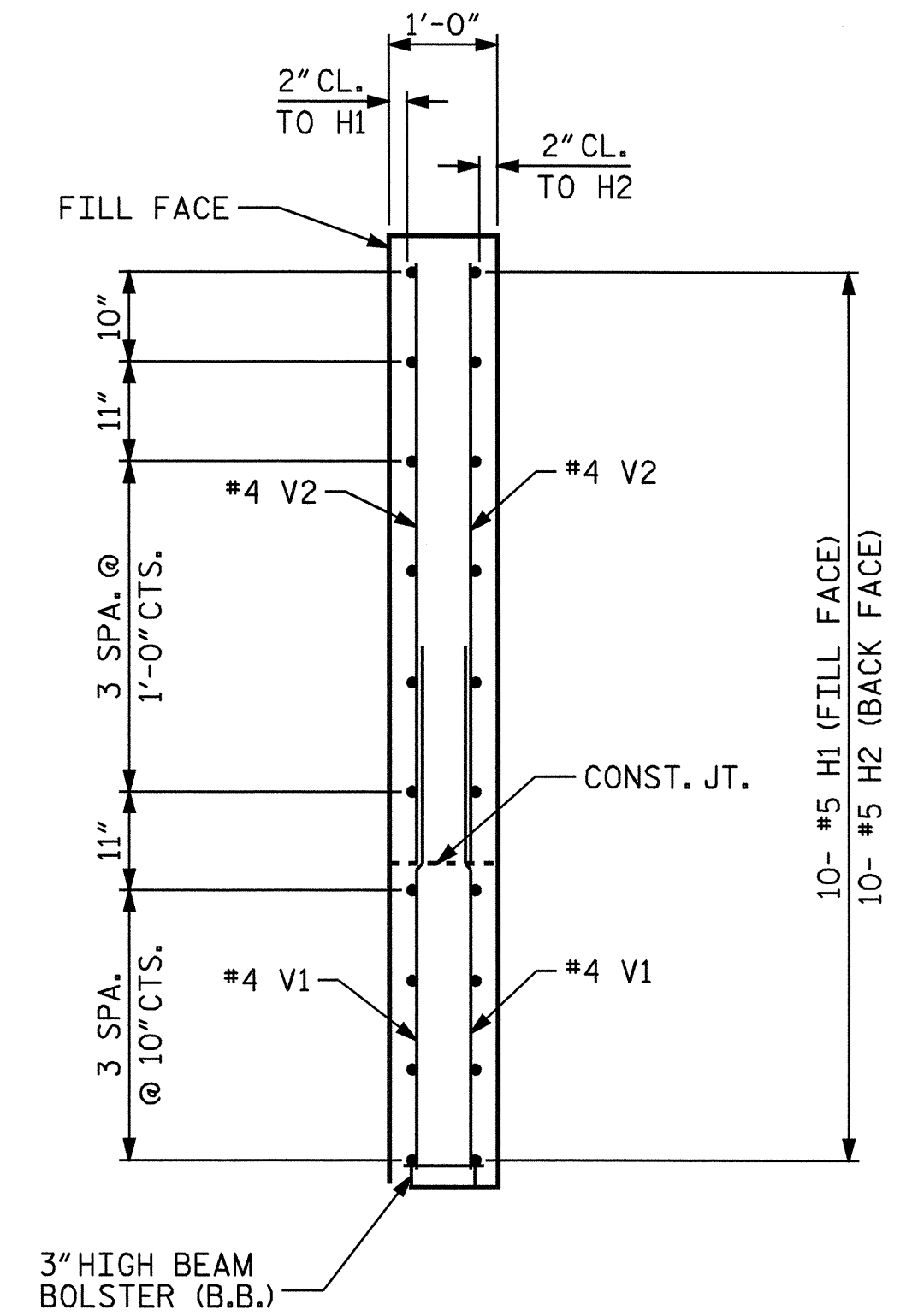
SEE ELEVATION VIEW FOR POUR 2, FOR STEEL AND SPACING



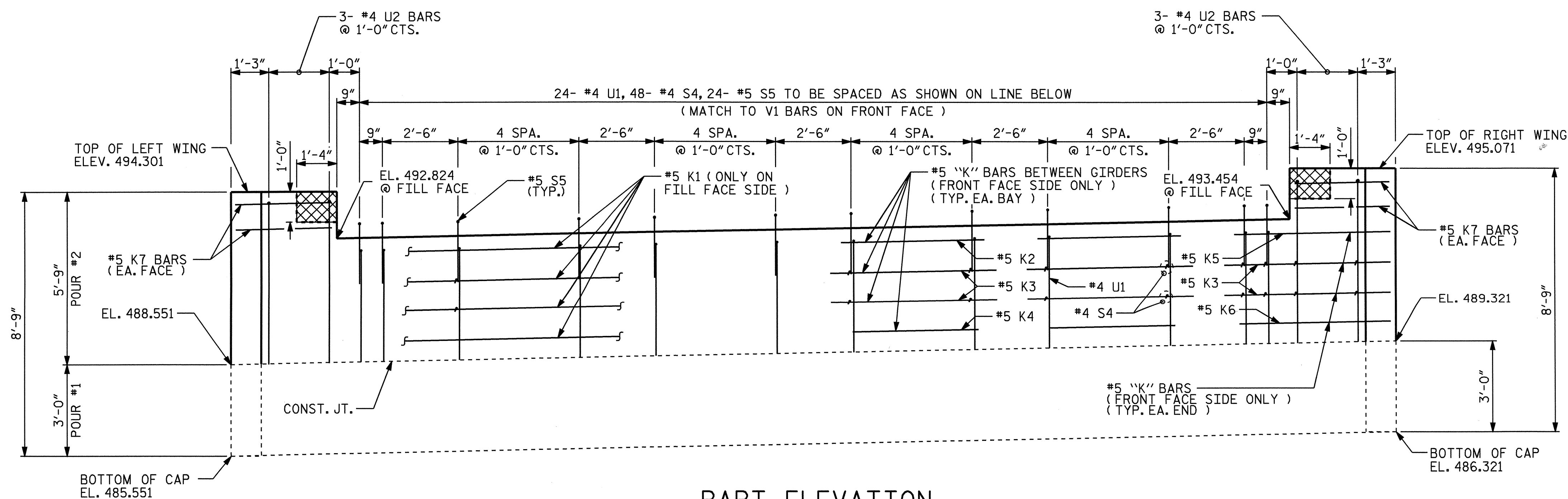
PLAN OF WING (W1)
WING W2 SIMILAR



ELEVATION OF WING (W1)
WING W2 SIMILAR



SECTION X-X



PART ELEVATION

TO SHOW STEEL AND CONCRETE FOR POUR 2

DRAWN BY: Nat M. Ruffin DATE: 2/28/05
CHECKED BY: B. C. HANKS DATE: 3-9-05

17-MAR-2005 12:28
W:\squad\B3700\nruffin\Drawings\B3700_sd_AB.dgn
nruffin



PROJECT NO. B-3700
STANLY COUNTY
STATION: 16+85.00 -L-

SHEET 2 OF 3

STATE OF NORTH CAROLINA
DEPARTMENT OF TRANSPORTATION
RALEIGH
SUBSTRUCTURE
INTEGRAL ABUTMENT 2
DETAILS

REVISIONS				SHEET NO.
NO.	BY:	DATE:	NO.	DATE:
1			3	
2			4	

TOTAL SHEETS: **22**