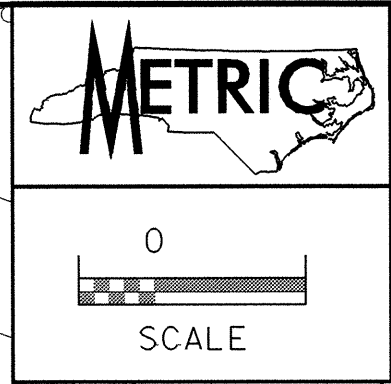


042597

GREENHORNE & O'MARA, INC.
5565 CENTERVIEW DRIVE, SUITE 107
RALEIGH, NORTH CAROLINA 27606
(919) 851-1919



PROJECT REFERENCE NO. R-2539C SHEET NO. UO-15

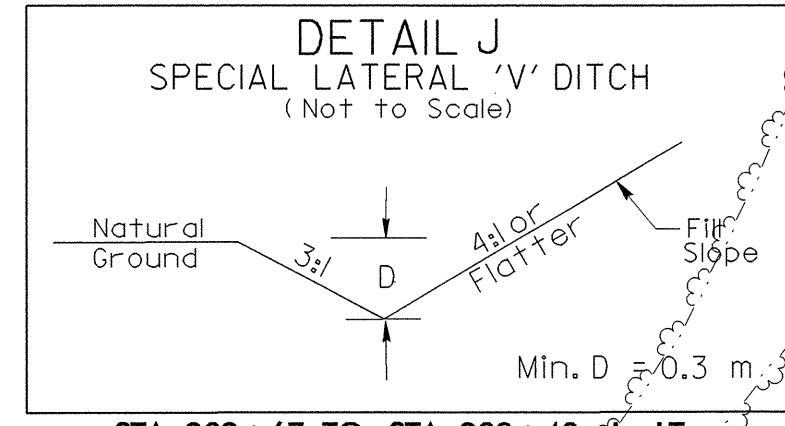
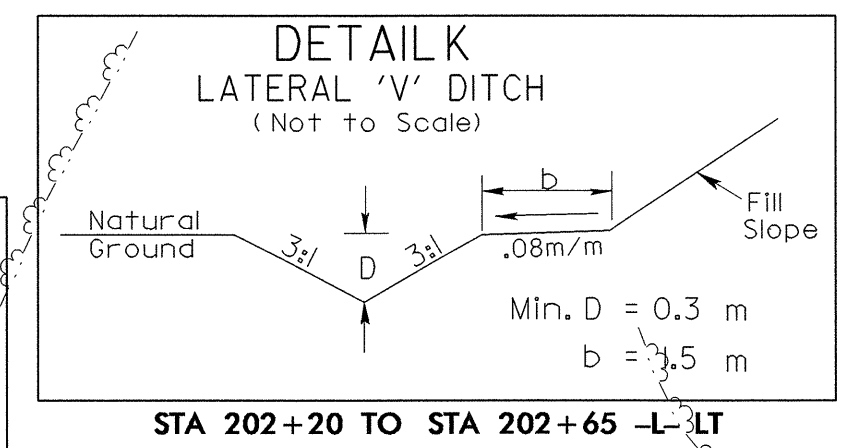
UTILITIES BY OTHERS

NOTE:
ALL PROPOSED UTILITY WORK
SHOWN ON THIS SHEET WILL
BE DONE BY OTHERS

Pls Sta 200+29.662 $\Delta = 3^{\circ}18'30.0''$ (LT) $Ls = 51,000$ $T = 57,757$ $R = 2000.000$ $ST = 17,000$ S.E. = .03

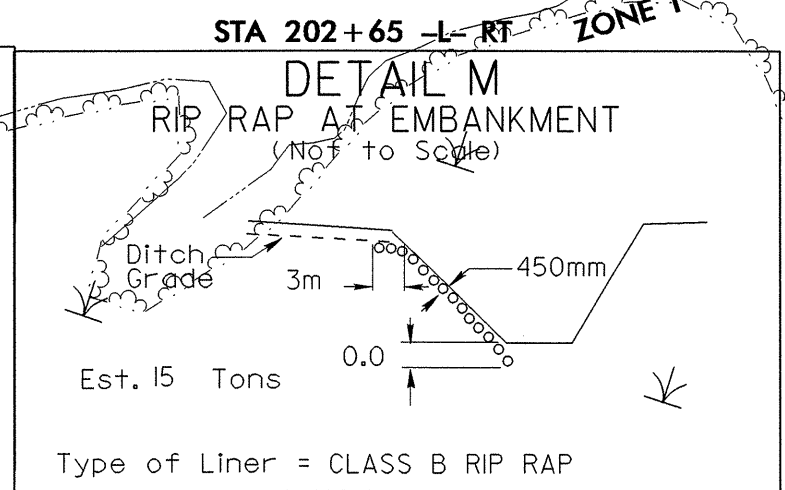
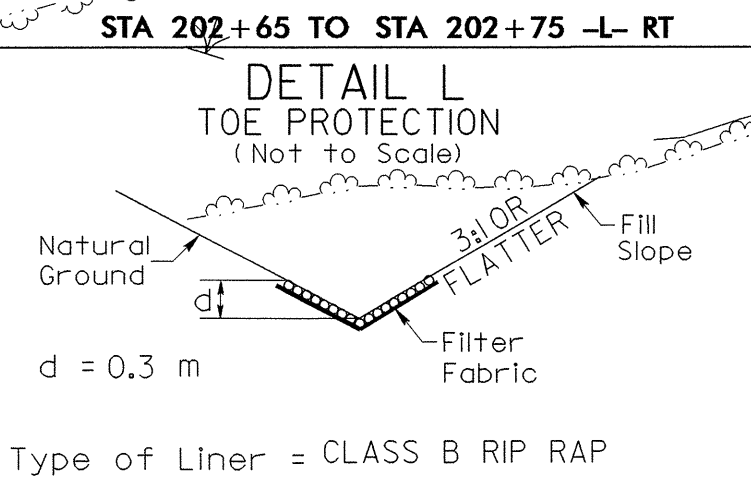
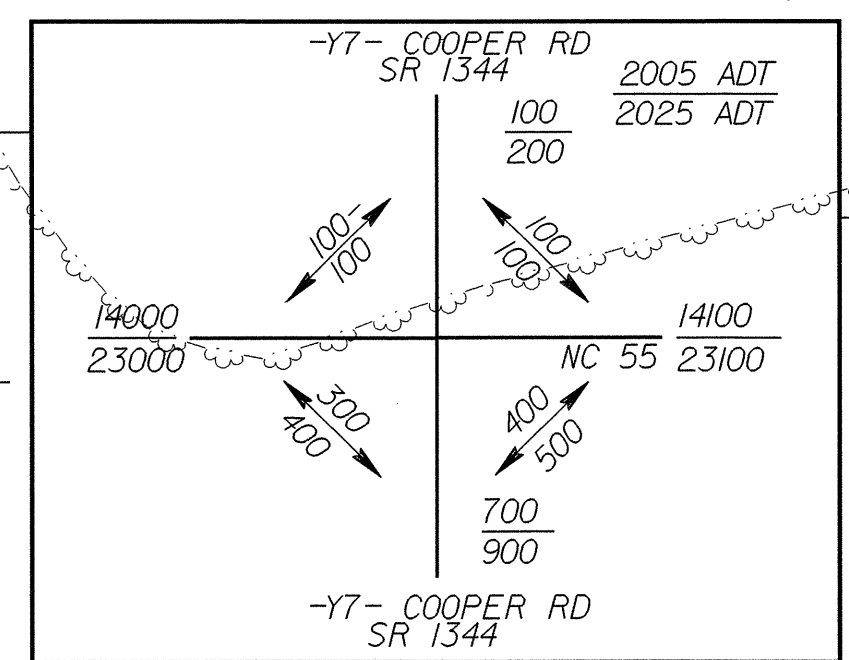
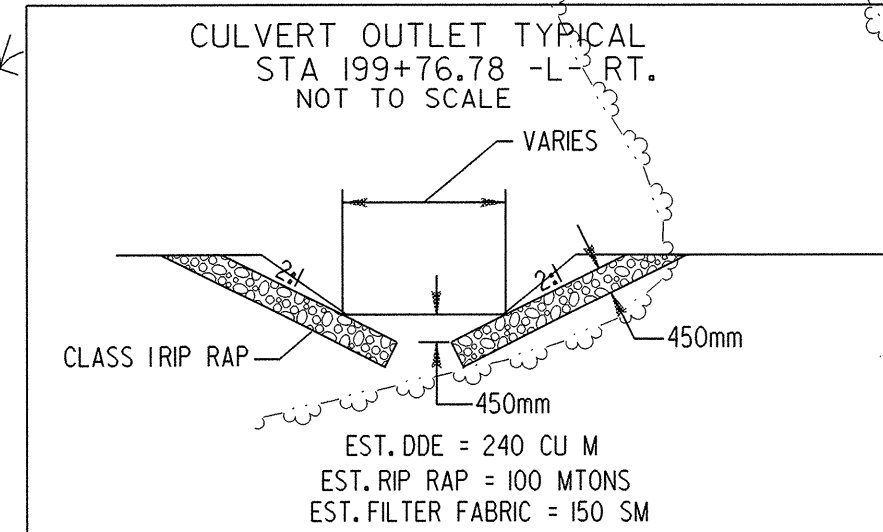
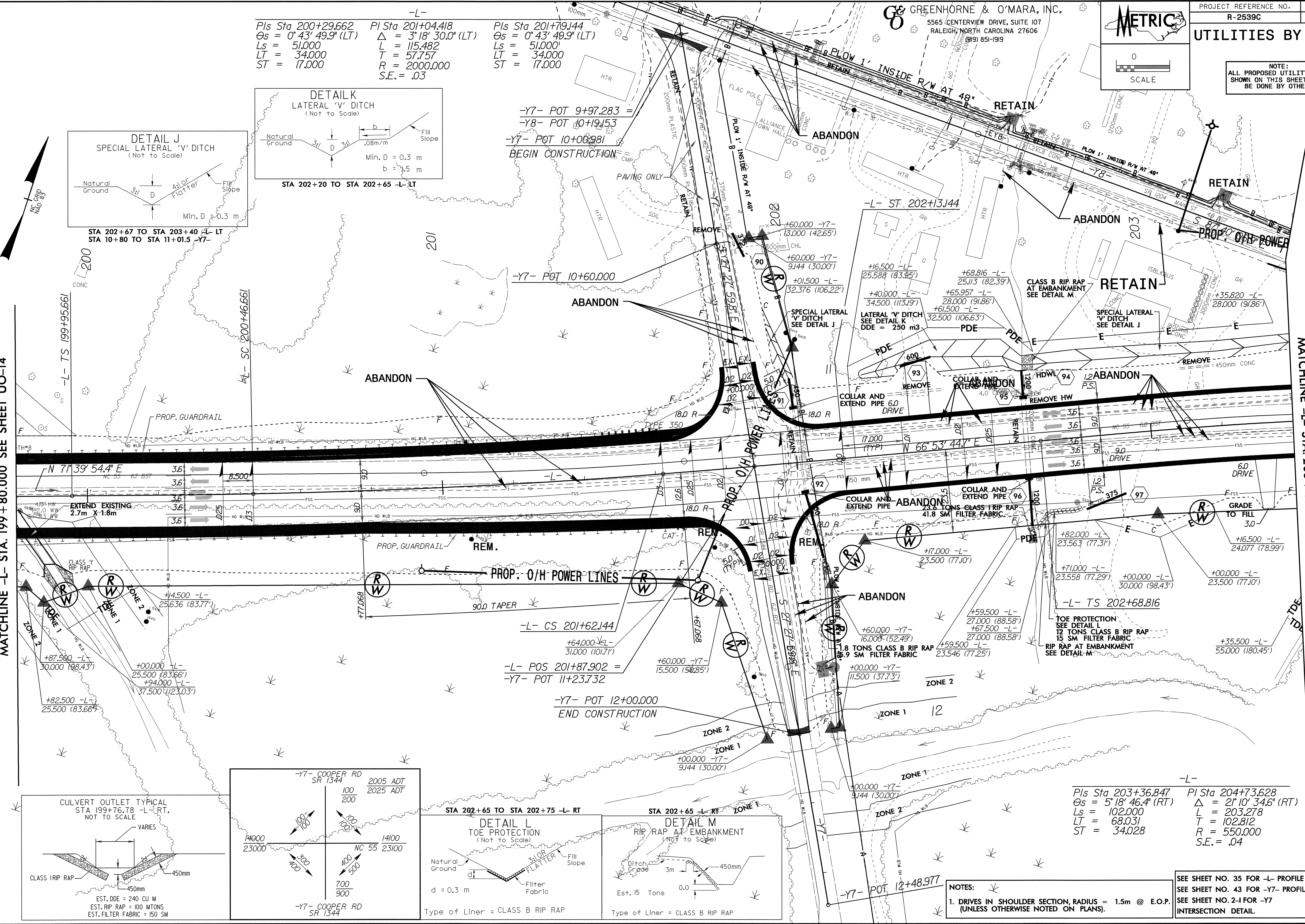
Pls Sta 201+04.418 $\Delta = 3^{\circ}18'30.0''$ (LT) $L = 115,482$ $T = 57,757$ $R = 2000.000$ $ST = 17,000$

Pls Sta 201+79.144 $\Delta = 0^{\circ}43'49.9''$ (LT) $Ls = 51,000$ $T = 34,000$ $ST = 17,000$



MATCHLINE -L- STA. 199 + 80.000 SEE SHEET UO-14

MATCHLINE -L- STA. 203 + 40.000 SEE SHEET UO-16



NOTES:
1. DRIVES IN SHOULDER SECTION, RADIUS = 1.5m @ E.O.P.
(UNLESS OTHERWISE NOTED ON PLANS).

SEE SHEET NO. 35 FOR -L- PROFILE
SEE SHEET NO. 43 FOR -Y7- PROFILE
SEE SHEET NO. 2-1 FOR -Y7
INTERSECTION DETAIL.

26-OCT-2004 13:45
R:\Utilities\Projects\2539C\17.ut_uo15.dgn