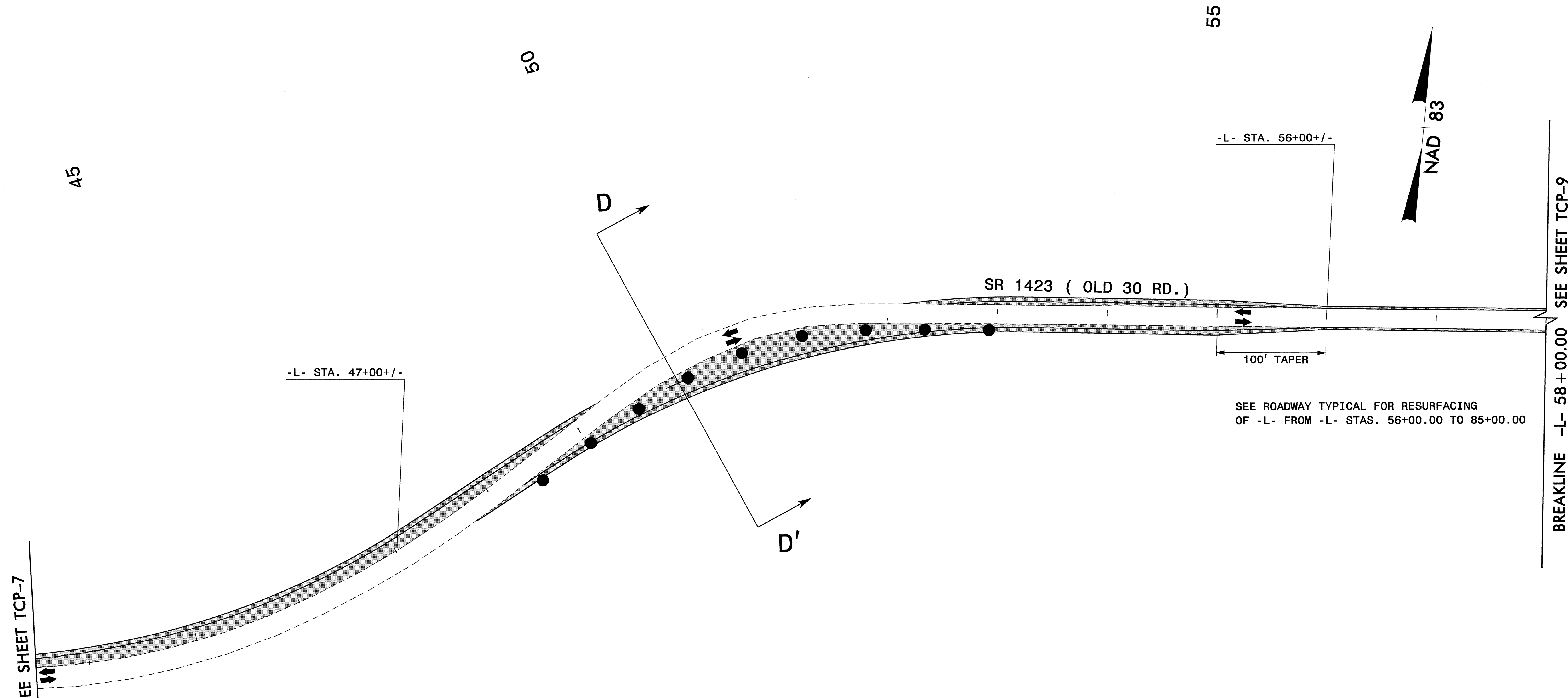


PROJ. REFERENCE NO. B-3682 & W-3413	SHEET NO. TCP-8
--	--------------------



-L- STA. 47+00+/-

-L- STA. 56+00+/-

SR 1423 (OLD 30 RD.)

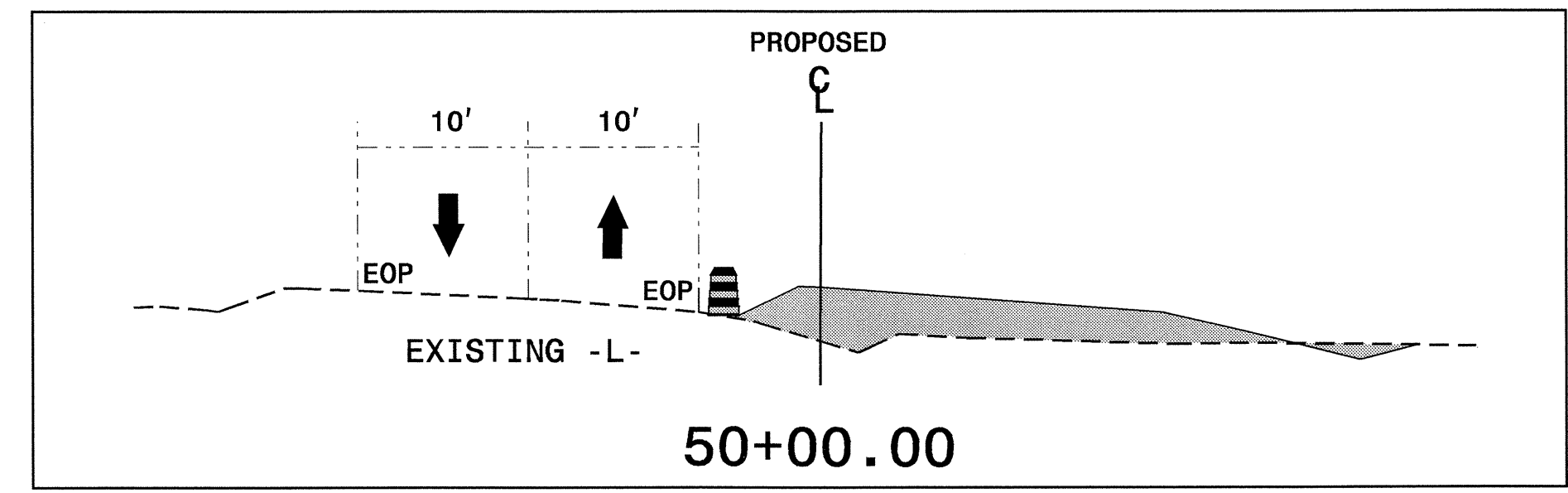
100' TAPER

SEE ROADWAY TYPICAL FOR RESURFACING
OF -L- FROM -L- STAS. 56+00.00 TO 85+00.00

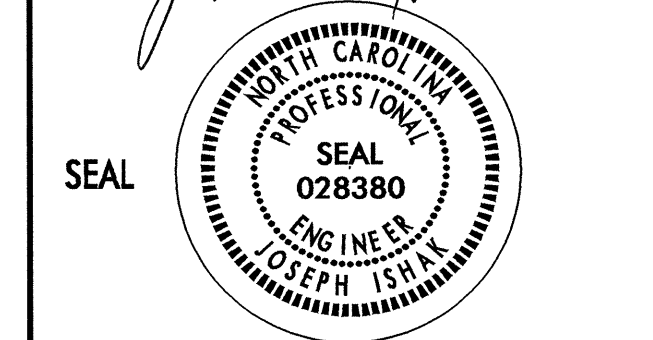
MATCHLINE -L- 44+00.00 SEE SHEET TCP-7

BREAKLINE -L- 58+00.00 SEE SHEET TCP-9

D - D'

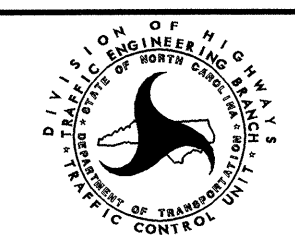


APPROVED: *Joseph Ishak* DATE: 12/02/04



DETAIL 1: PROPOSED -L- WIDENING
-L- STAS. 44+00.00 TO 58+00.00

SCALE: NONE
DATE: 12/02/04
DWG. BY: CLL
DESIGN BY: CLL
REVIEWED BY: JI



REVISIONS	

06-DEC-2004 09:09
\\efs-cctfs01\B3682\TCP\B3682ANDW3413TCP.DGN
cll\for\rd AT TEL093478