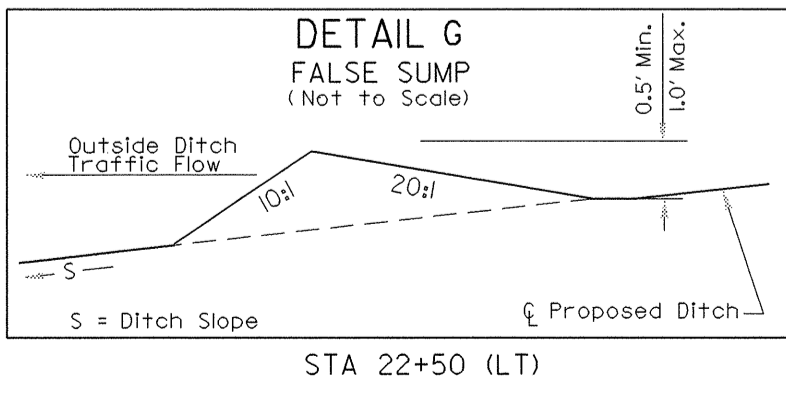
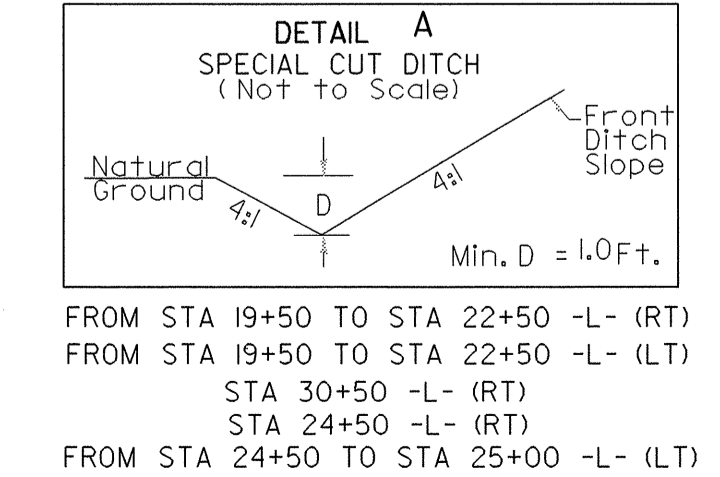
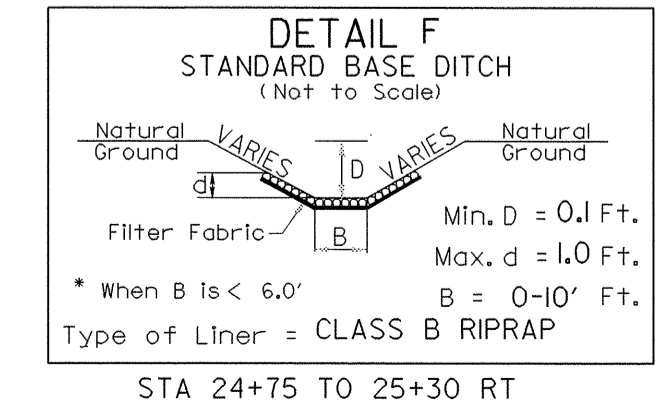
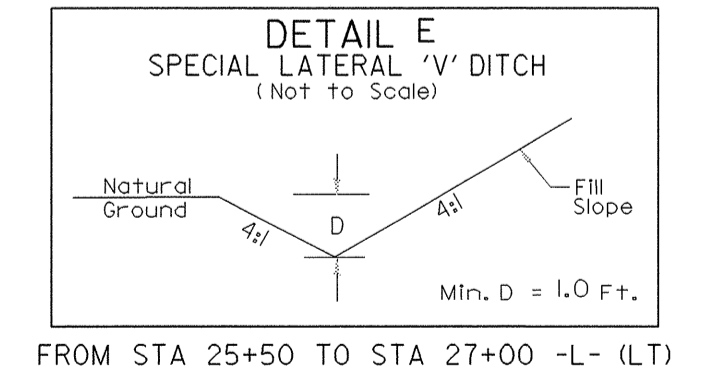
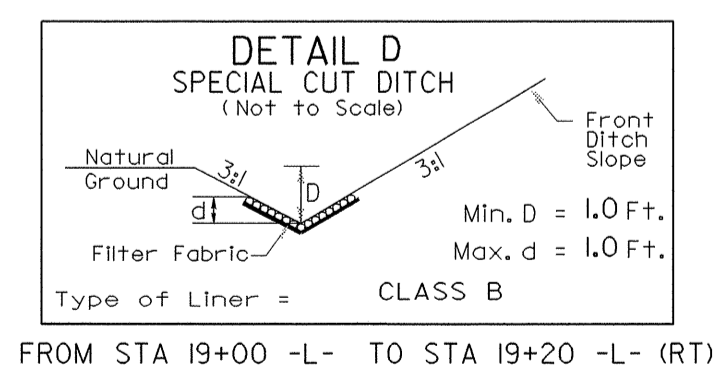
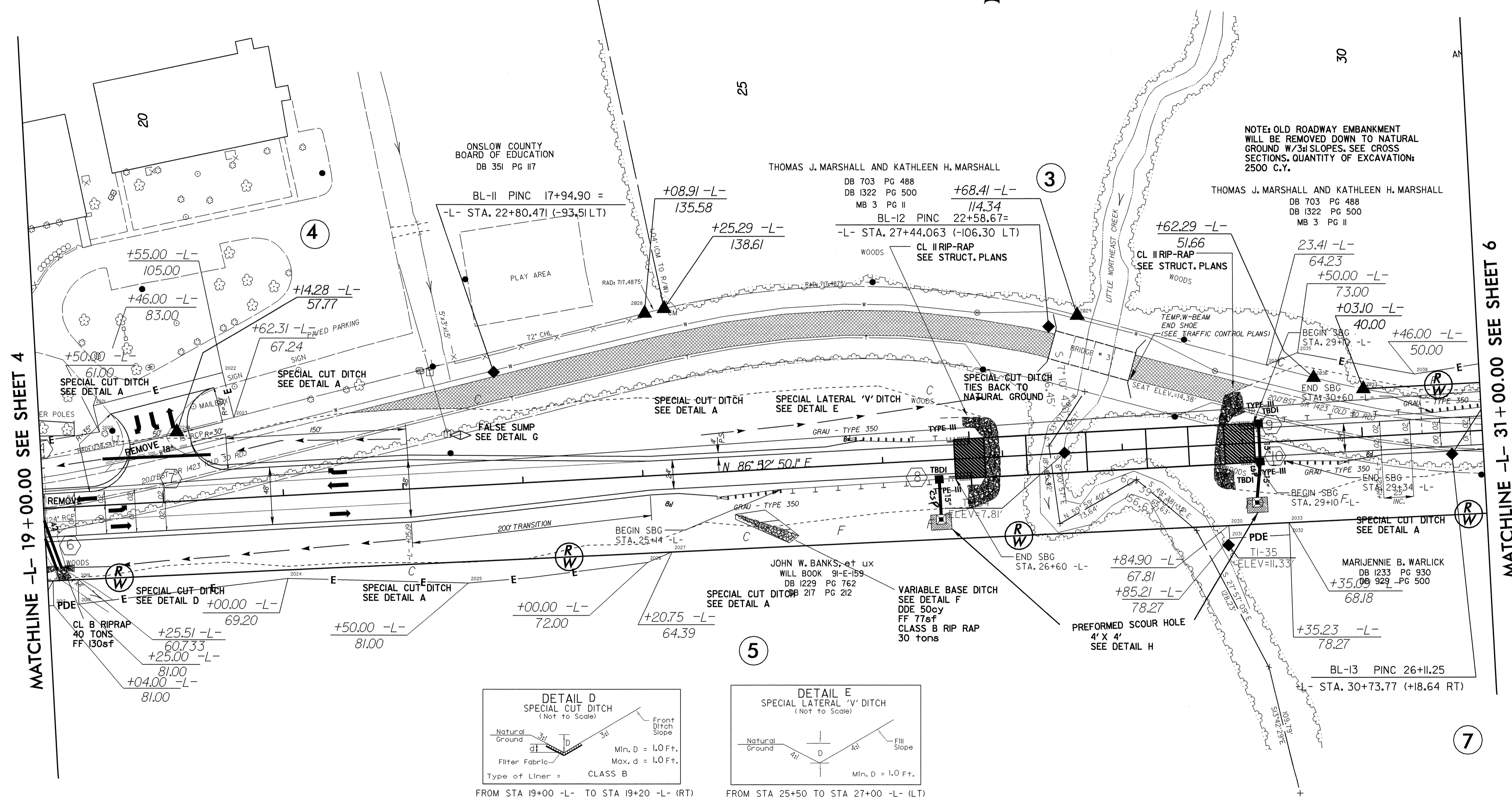
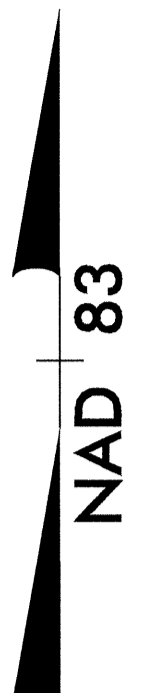
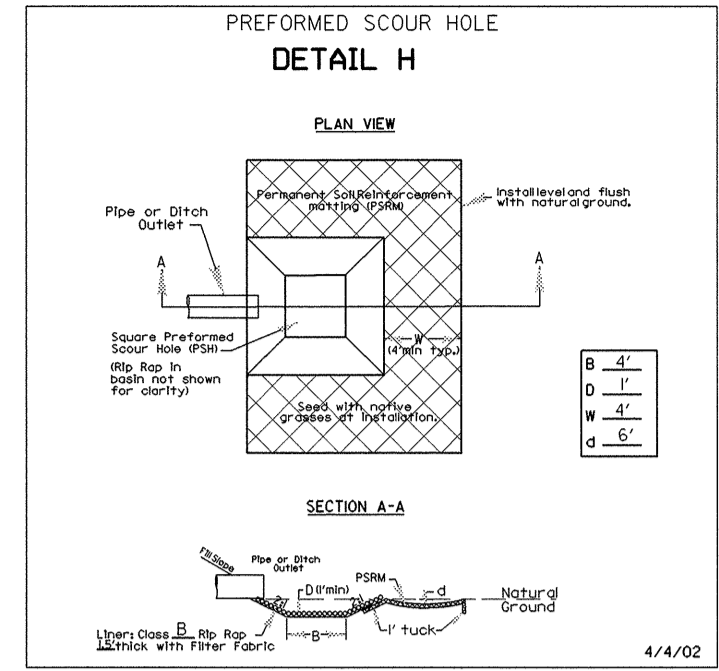
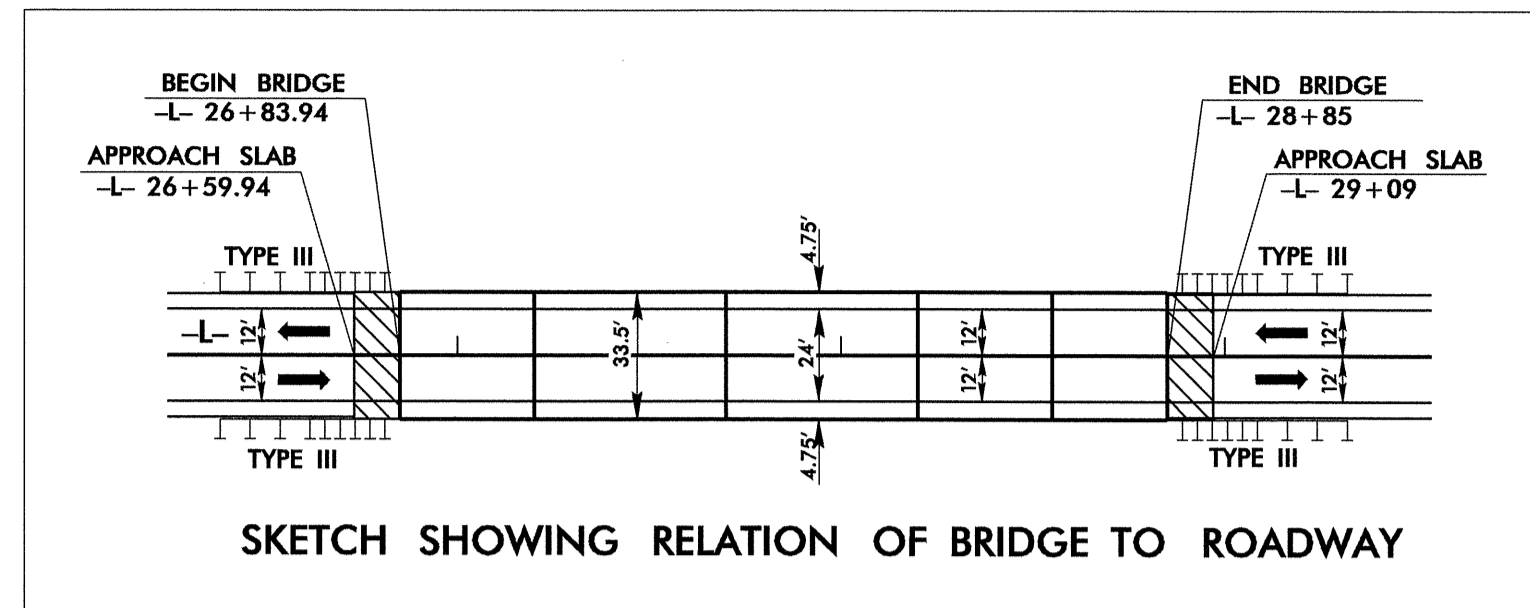


PROJECT REFERENCE NO. B-3682 & W-3413	SHEET NO. 5
RW SHEET NO.	
ROADWAY DESIGN ENGINEER NORTH CAROLINA PROFESSIONAL SEAL 14493 JAMES STAFFORD	HYDRAULICS ENGINEER NORTH CAROLINA PROFESSIONAL SEAL 023993 M. PRICE



SEE SHEET S-I THRU S-7 FOR STRUCTURE PLANS

SEE SHEET 12 FOR -L- PROFILE VIEW
NOTE: SHOULDER BERM GUTTER
-L- STA 25+4.00 TO 26+60.00 RT
-L- STA 29+10.00 TO 29+34.00 RT
SHOULDER BERM GUTTER
-L- STA 29+10 TO 30+60 LT

REVISIONS

19 JAN 2005 13:36
RD203674 AT 10:20:56.74