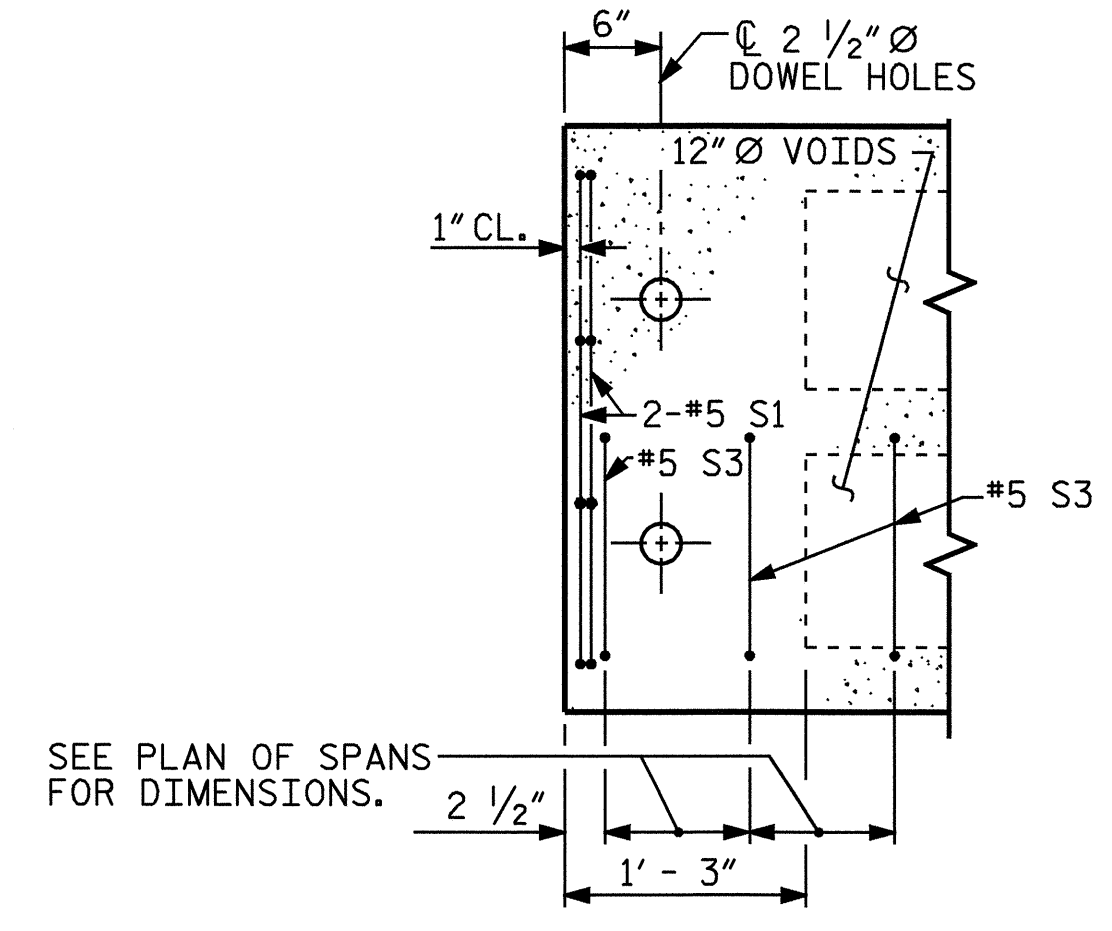


HALF SECTION AT INTERMEDIATE DIAPHRAGM

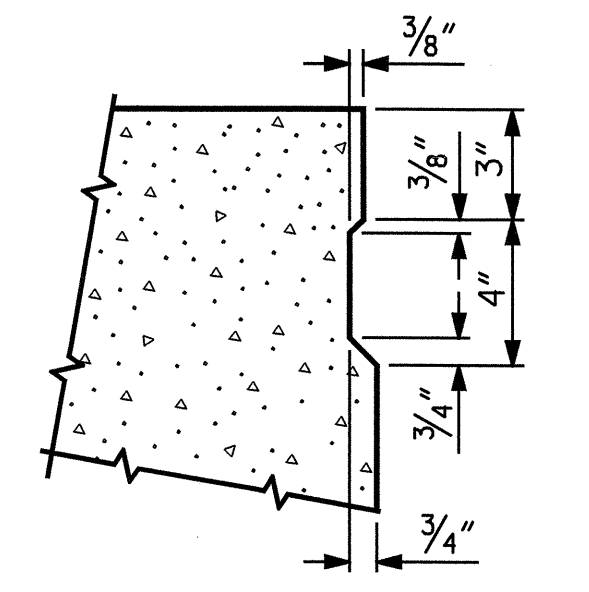
HALF SECTION AT VOIDS

TYPICAL SECTION



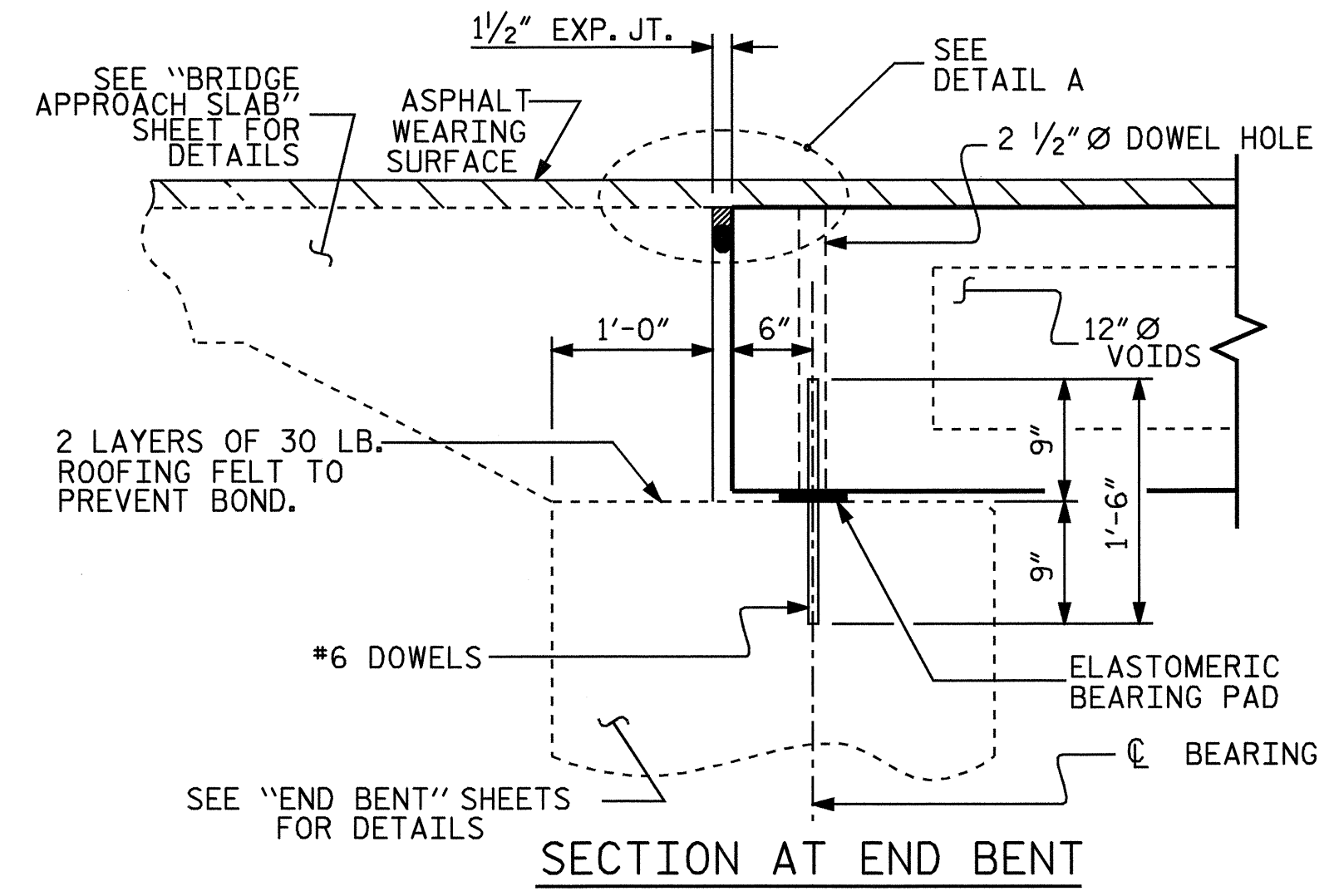
PART PLAN-EXTERIOR SECTION

NOTE: EXTERIOR SECTION SHOWN-INTERIOR SECTION SIMILAR EXCEPT OMIT S3 BARS.

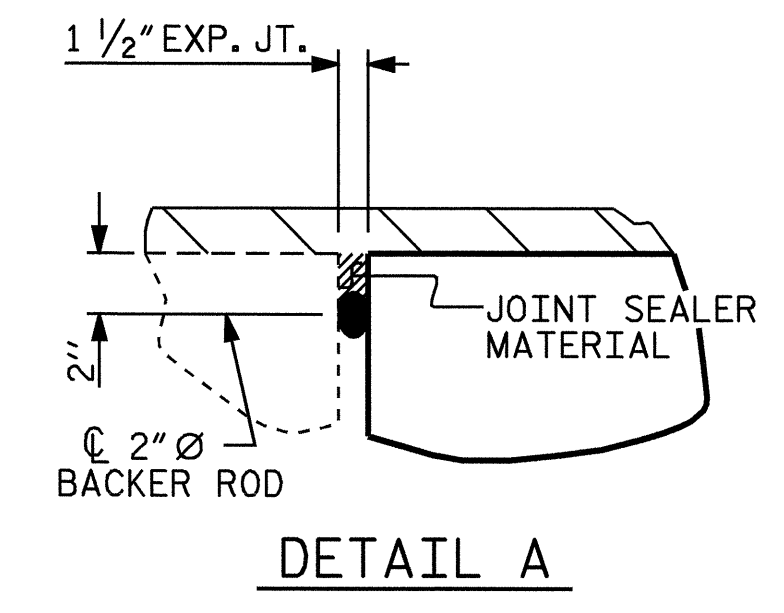


SHEAR KEY DETAIL

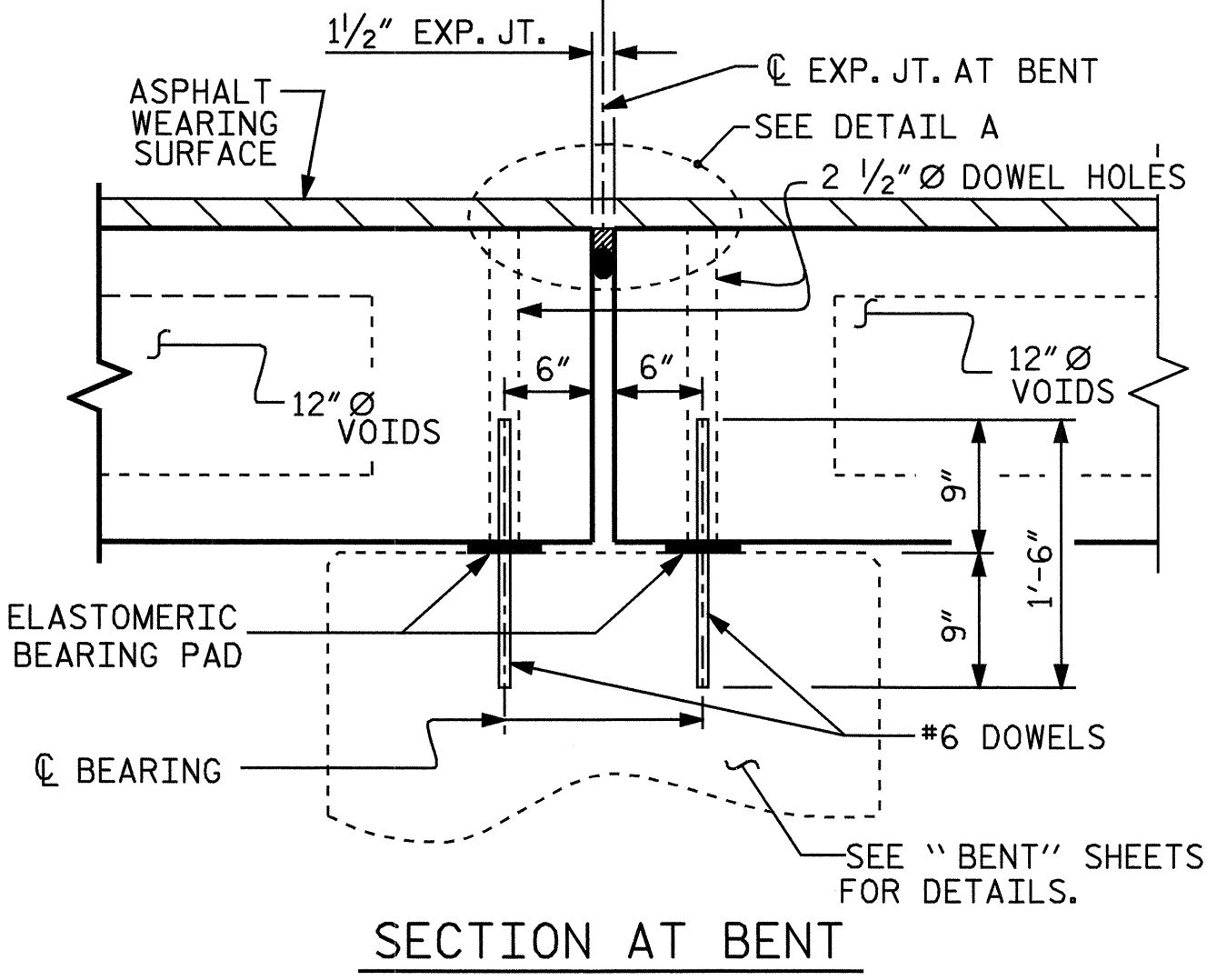
NOTE: OMIT SHEAR KEY ON OUTSIDE FACE OF EXTERIOR CORED SLABS.



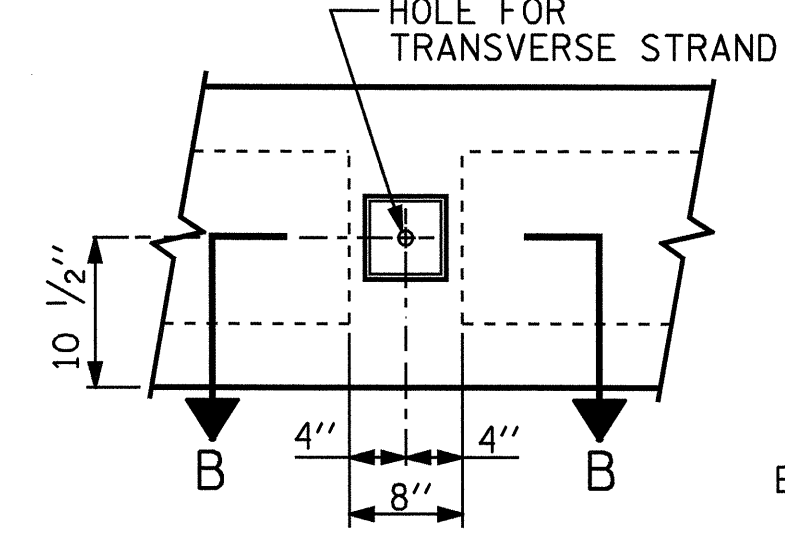
SECTION AT END BENT



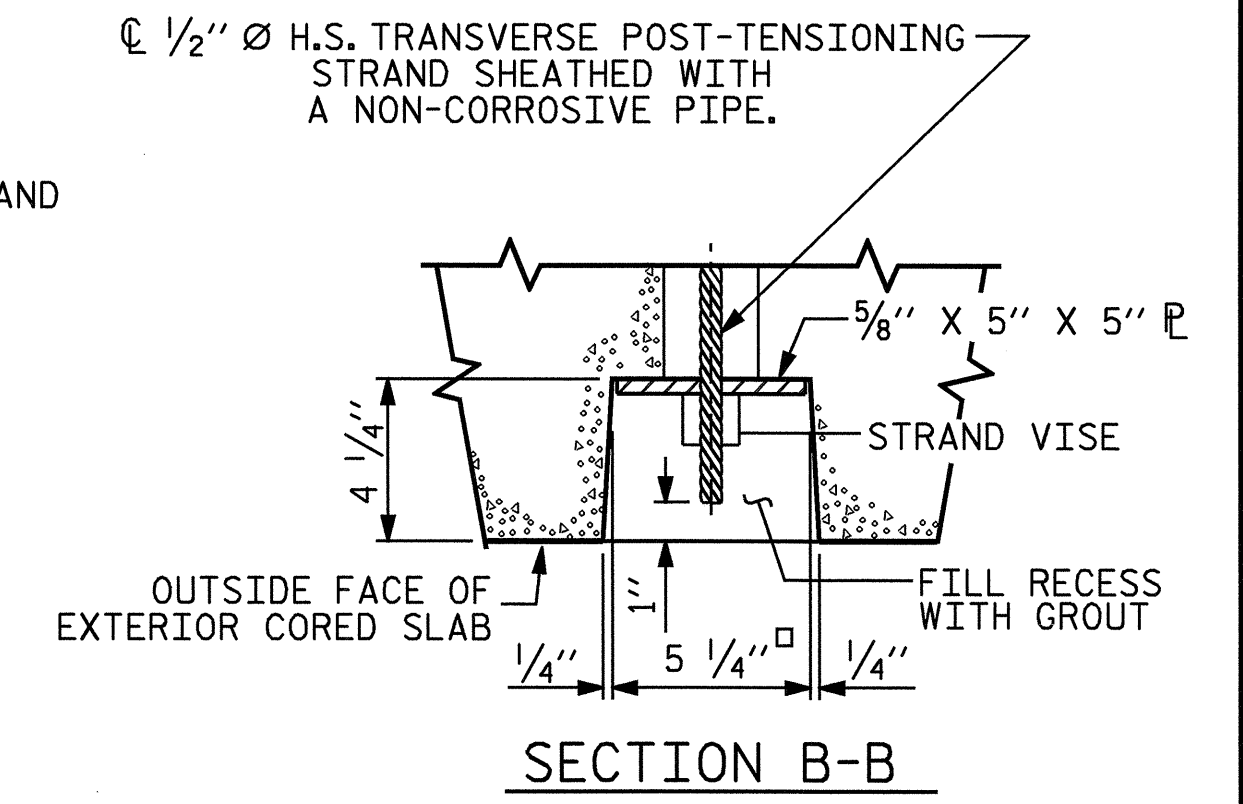
DETAIL A



SECTION AT BENT

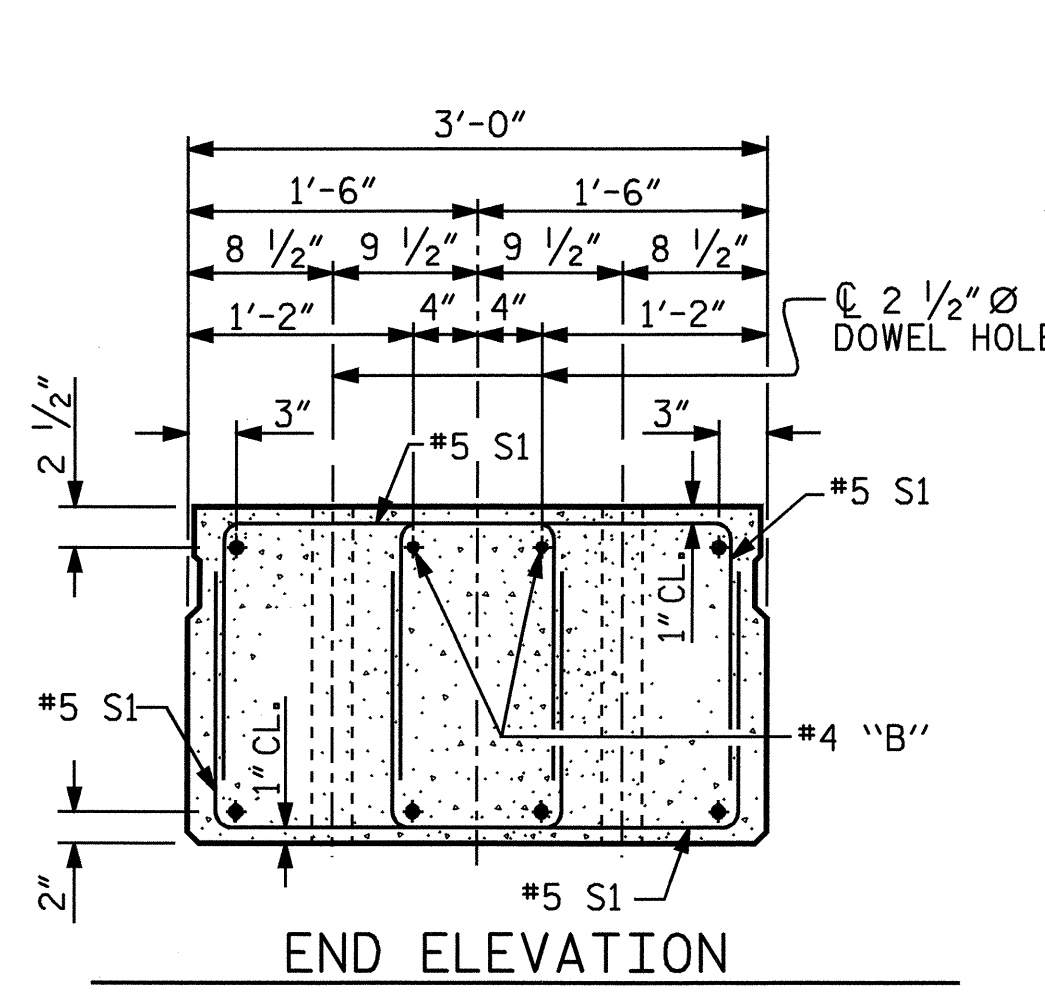


ELEVATION VIEW

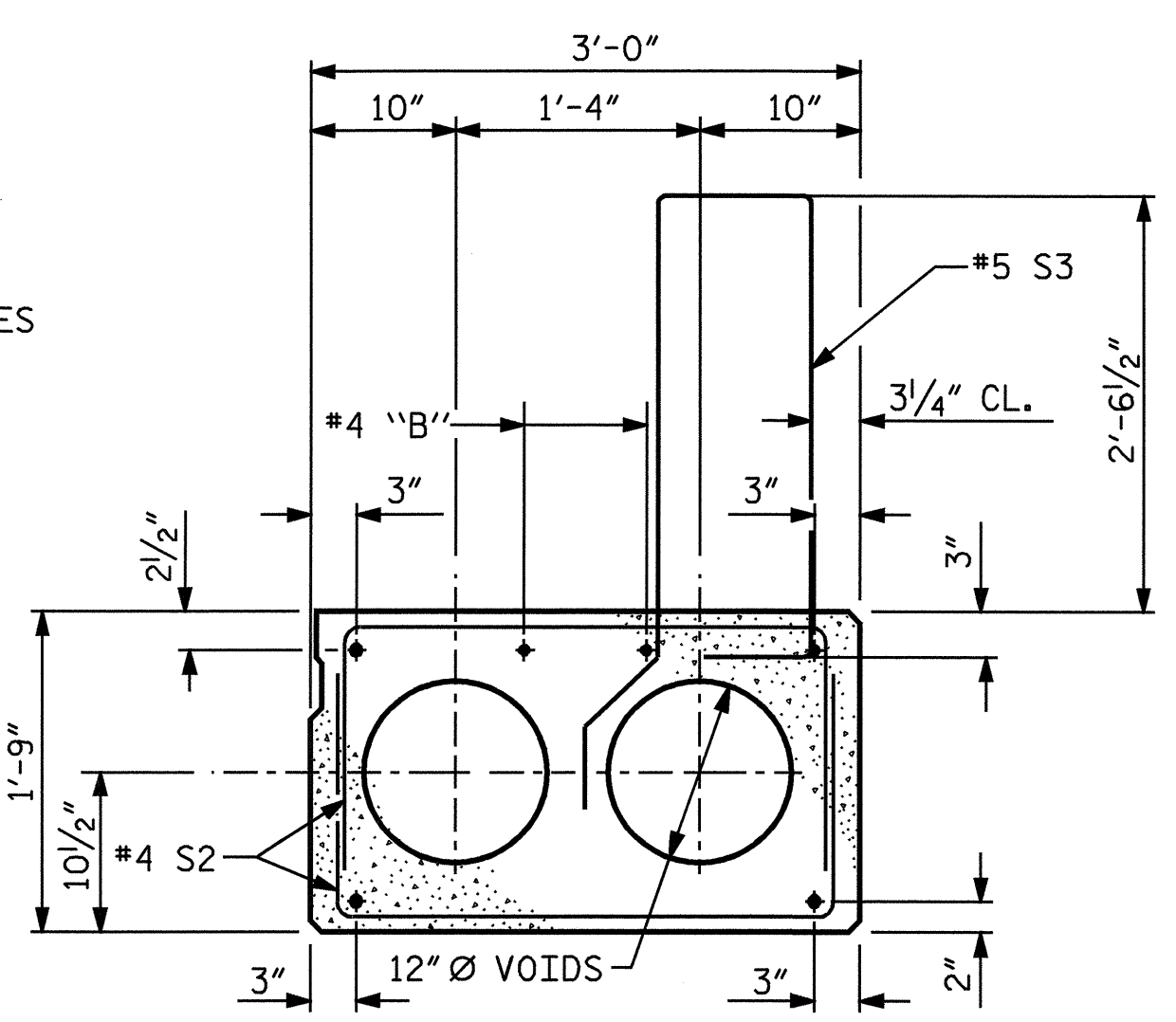


SECTION B-B

GROUTED RECESS AT END OF POST-TENSIONED STRAND-CORED SLABS

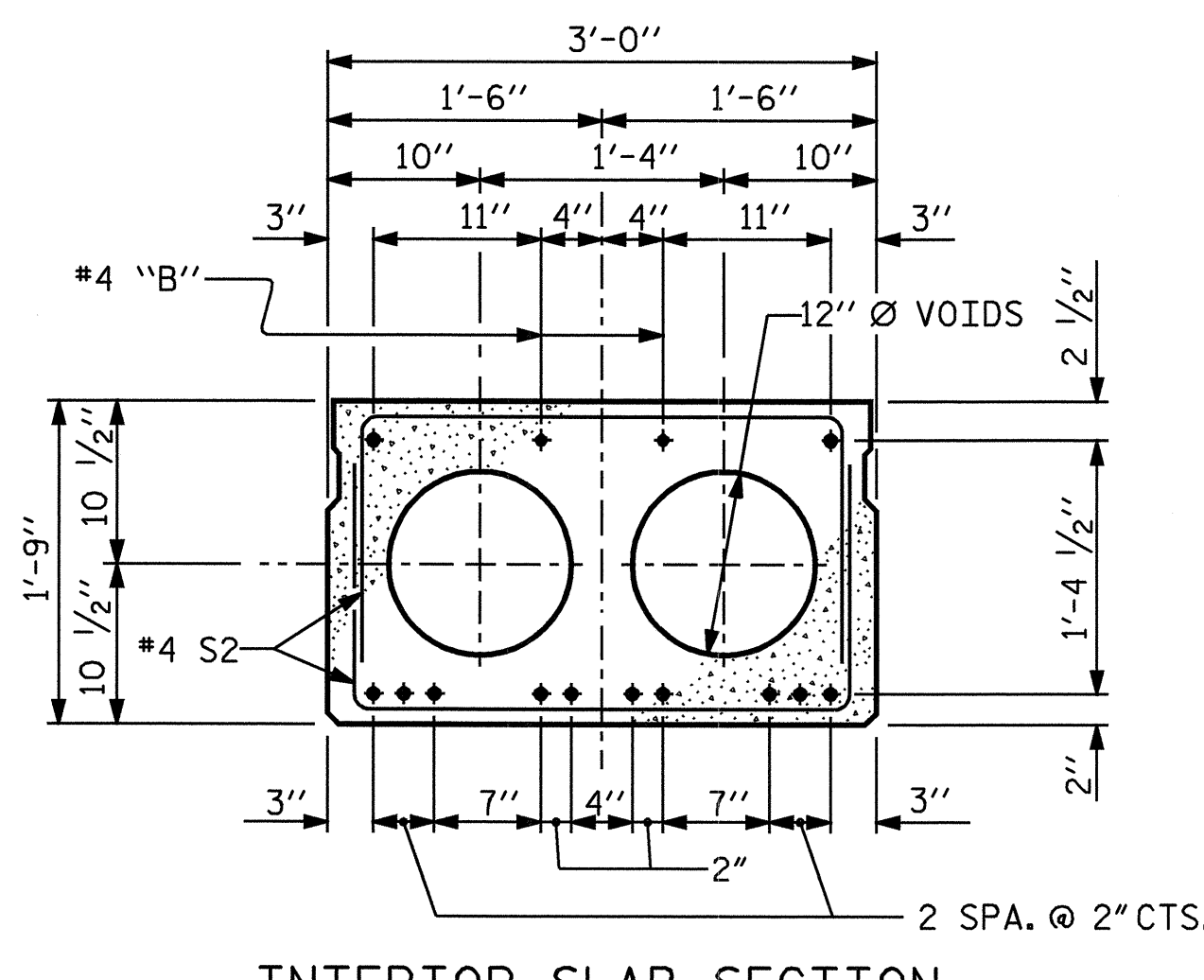


SHOWING PLACEMENT OF DOUBLE STIRRUPS AND LOCATION OF DOWEL HOLES. (STRAND LAYOUT NOT SHOWN.) INTERIOR SLAB SECTION SHOWN-EXTERIOR SLAB SECTION SIMILAR EXCEPT SHEAR KEY LOCATION.



EXTERIOR SLAB SECTION

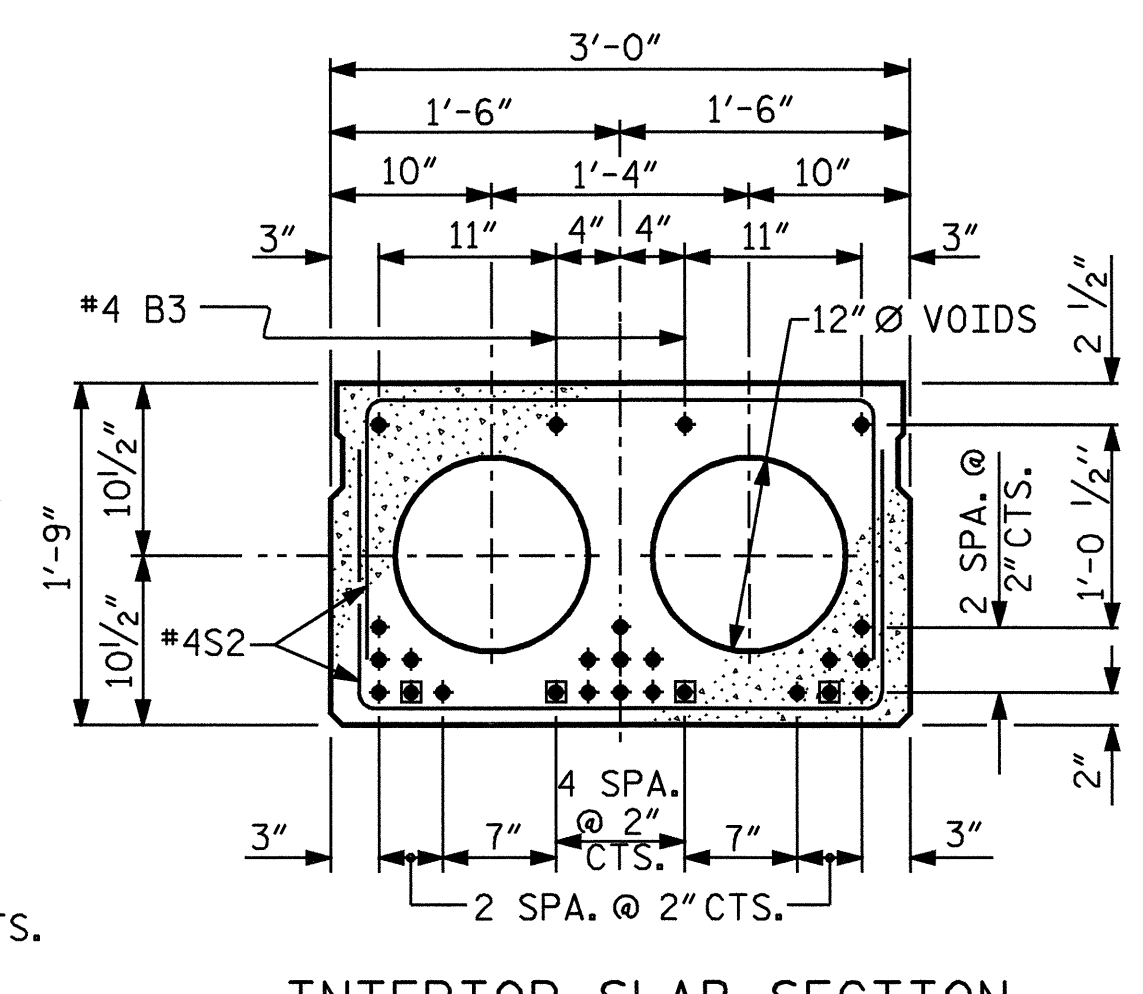
(FOR PRESTRESSED STRAND LAYOUT, SEE INTERIOR SLAB SECTION.)



INTERIOR SLAB SECTION

1/2" Ø LOW RELAXATION STRAND LAYOUT

SPANS A, D & E (12 STRANDS)



INTERIOR SLAB SECTION

1/2" Ø LOW RELAXATION STRAND LAYOUT

SPANS B & C (23 STRANDS)

● BOND SHALL BE BROKEN ON THESE STRANDS FOR A DISTANCE OF 4'-0" FROM END OF CORED SLAB UNIT. SEE STANDARD SPECIFICATIONS ARTICLE 1078-7.



PROJECT NO. B-3682
ON SLOW COUNTY
STATION: 27+84.47 -L-

SHEET 1 OF 7

STATE OF NORTH CAROLINA
DEPARTMENT OF TRANSPORTATION
RALEIGH
STANDARD
3'-0" x 1'-9"
PRESTRESSED CONCRETE
CORED SLAB UNIT

REVISIONS						SHEET NO.
NO.	BY:	DATE:	NO.	BY:	DATE:	S-4
1			3			TOTAL SHEETS
2			4			26

DRAWN BY: A. V. ROYAL DATE: 1-04
CHECKED BY: B. N. GRADY DATE: 4-04