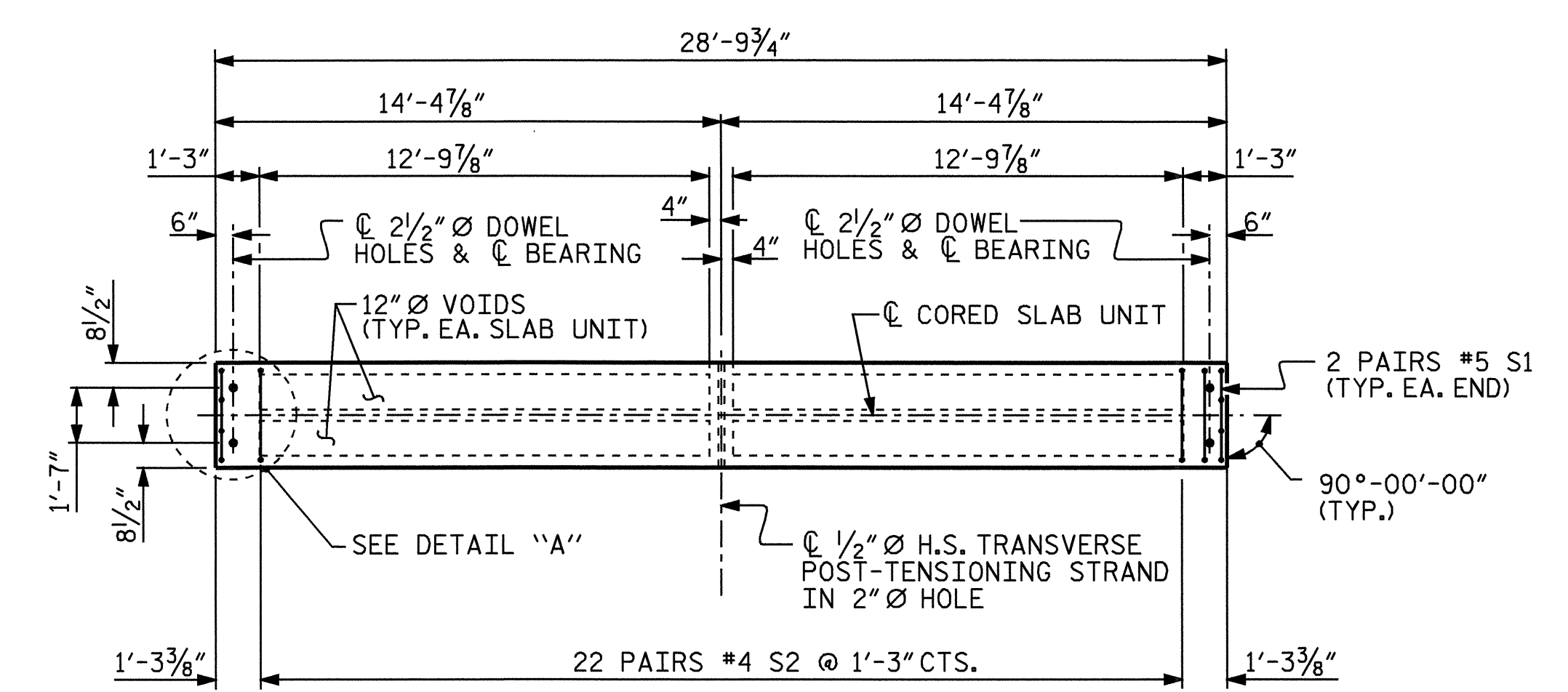
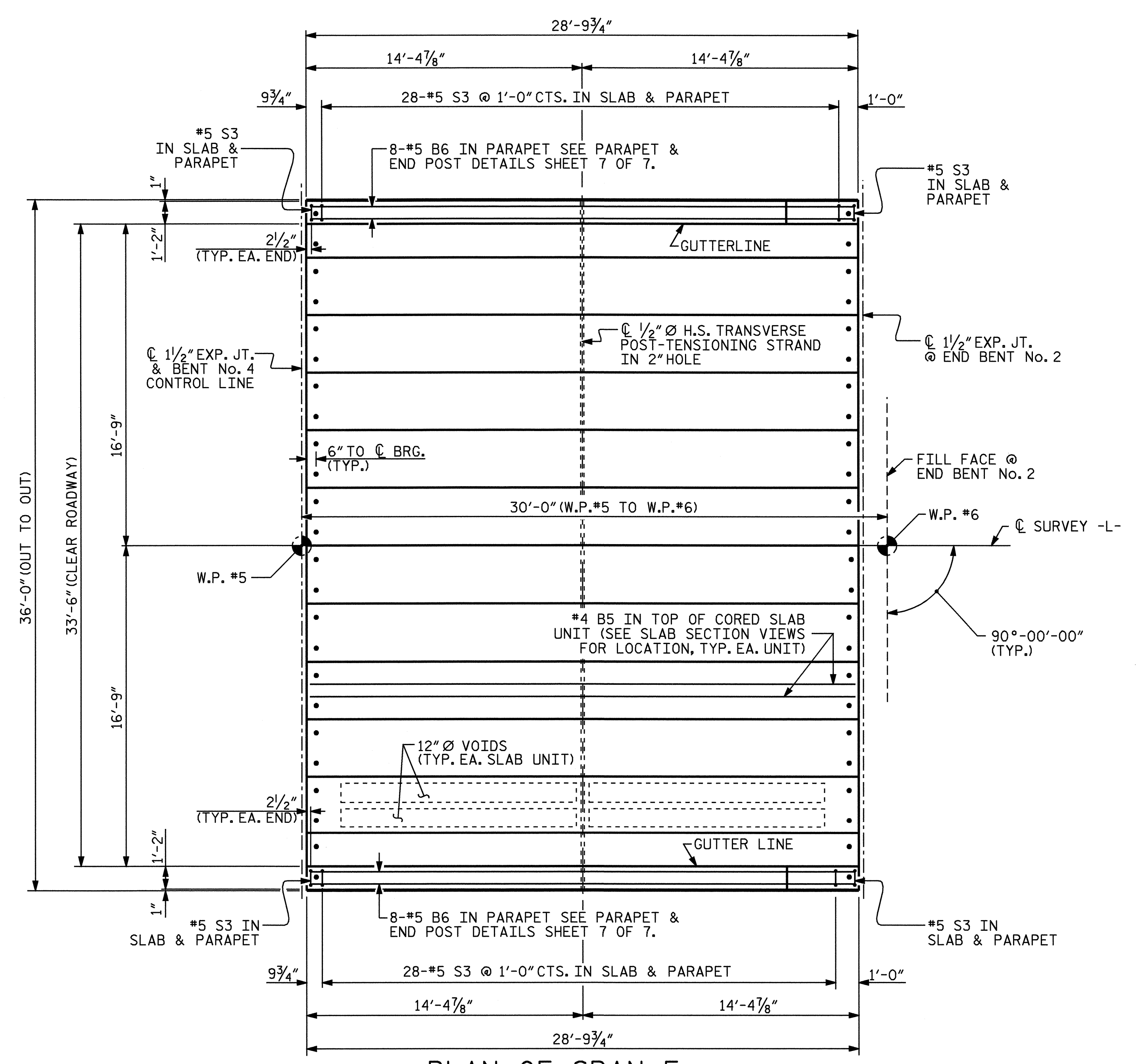


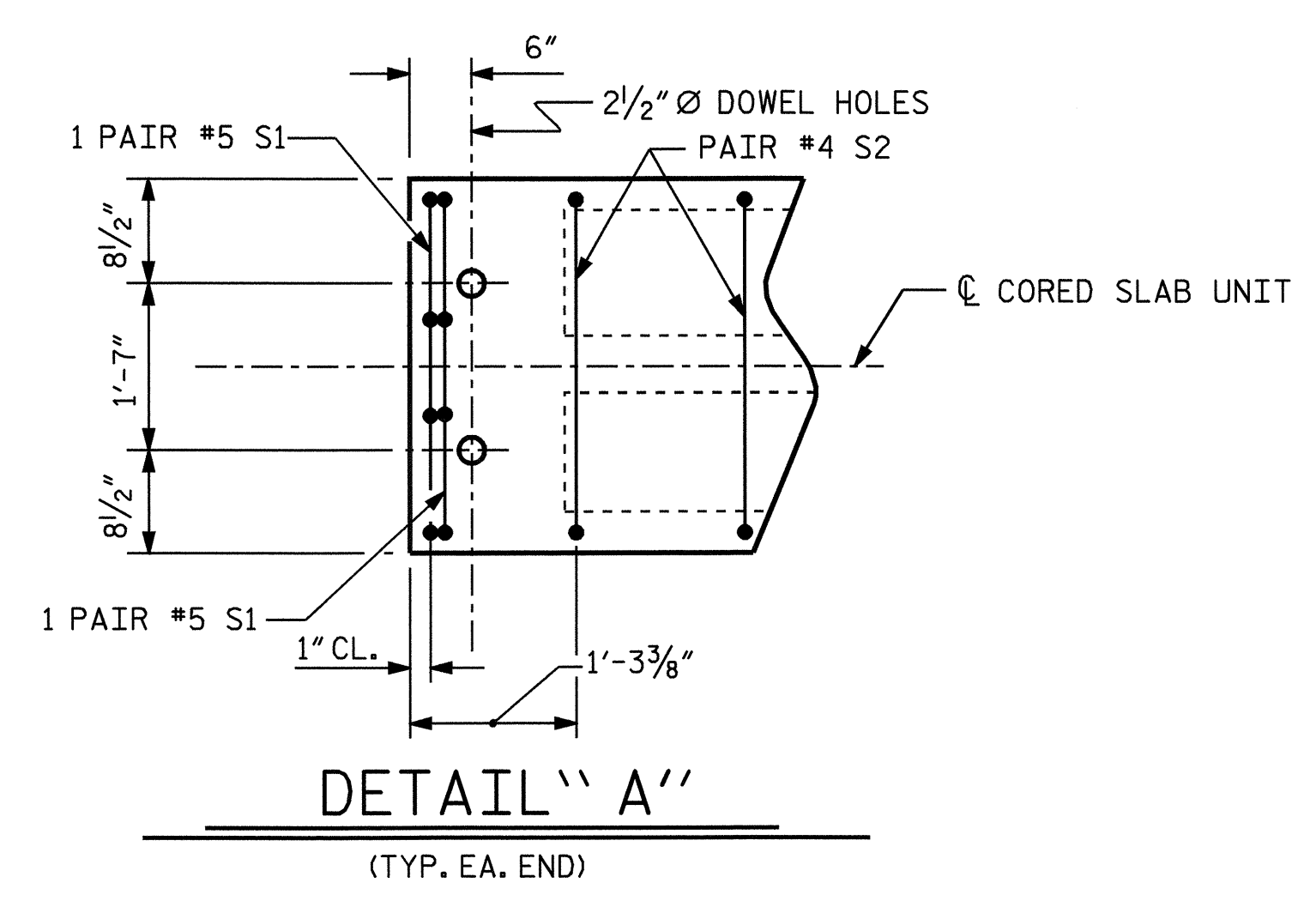
PLAN OF EXTERIOR CORED SLAB UNIT



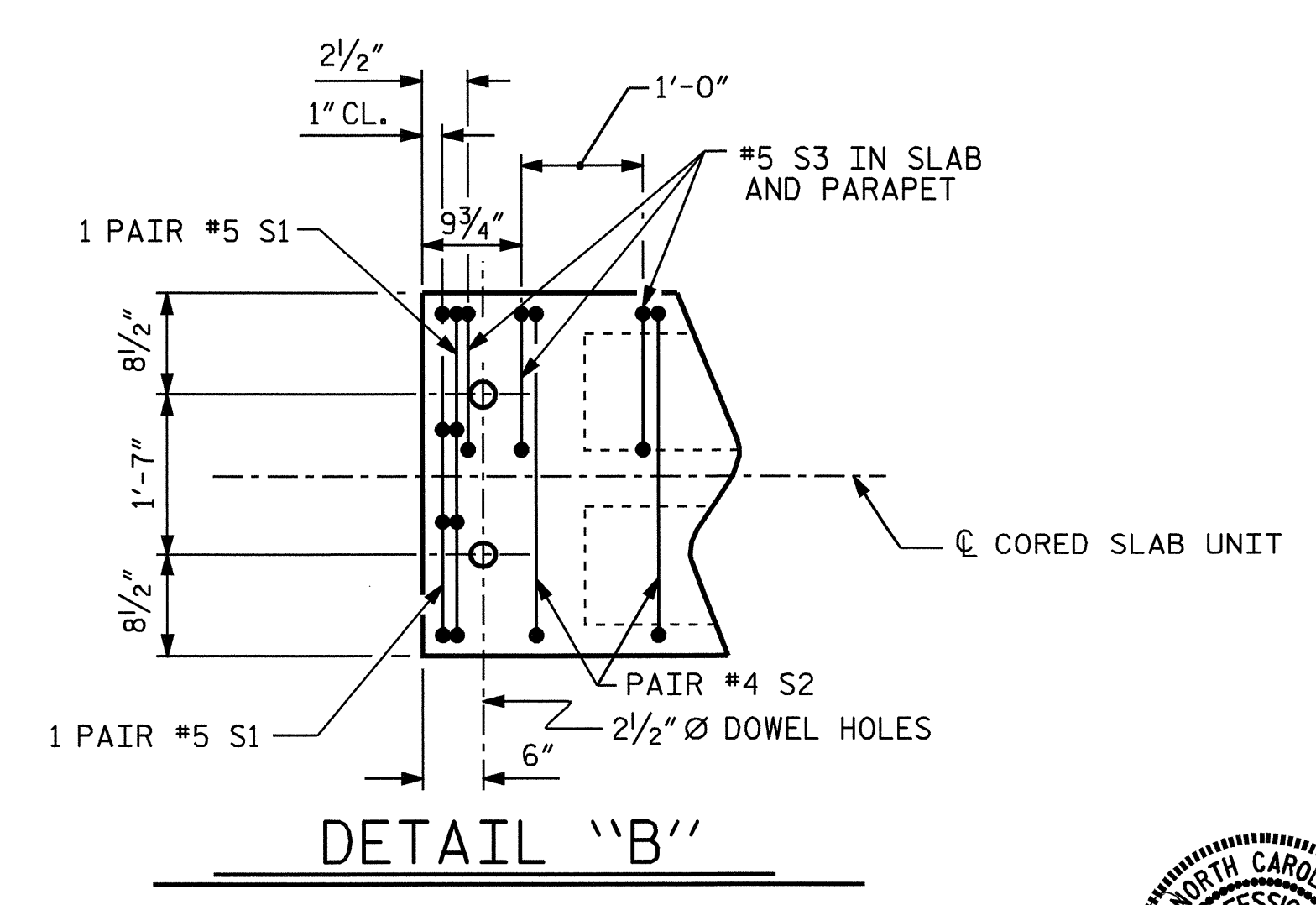
PLAN OF INTERIOR CORED SLAB UNIT



PLAN OF SPAN E



DETAIL "A"
(TYP. EA. END)



DETAIL "B"

PROJECT NO. B-3682
ONSLow COUNTY
 STATION: 27+84.47 -L-
 SHEET 6 OF 7

STATE OF NORTH CAROLINA
 DEPARTMENT OF TRANSPORTATION
 RALEIGH
 SUPERSTRUCTURE
 PLAN OF SPAN E



DRAWN BY: A. V. ROYAL DATE: 1-04
 CHECKED BY: B. N. GRADY DATE: 4-04

REVISIONS						SHEET NO.	
NO.	BY:	DATE:	NO.	BY:	DATE:	S-9	
1			3			TOTAL SHEETS	
2			4			26	