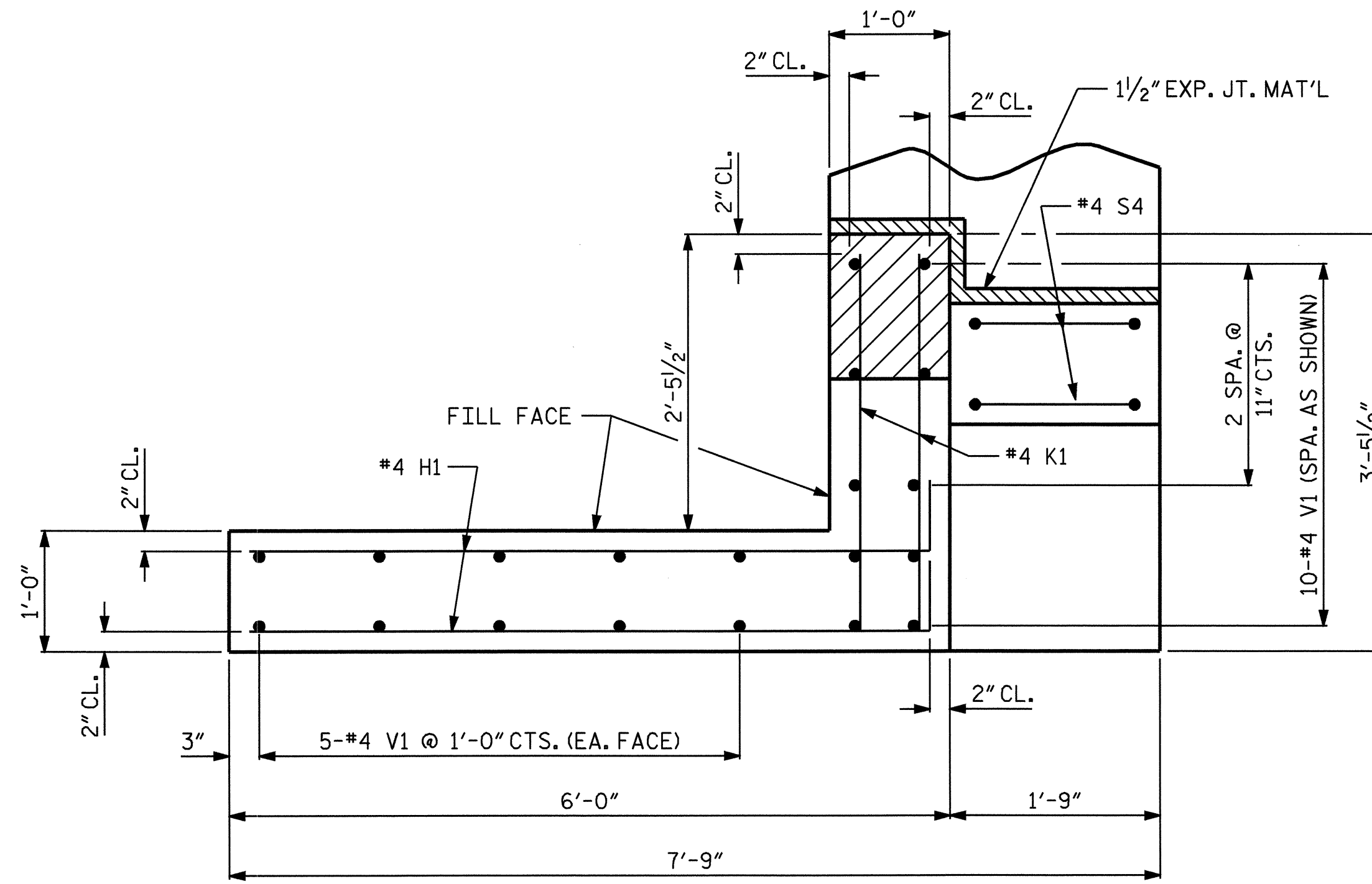
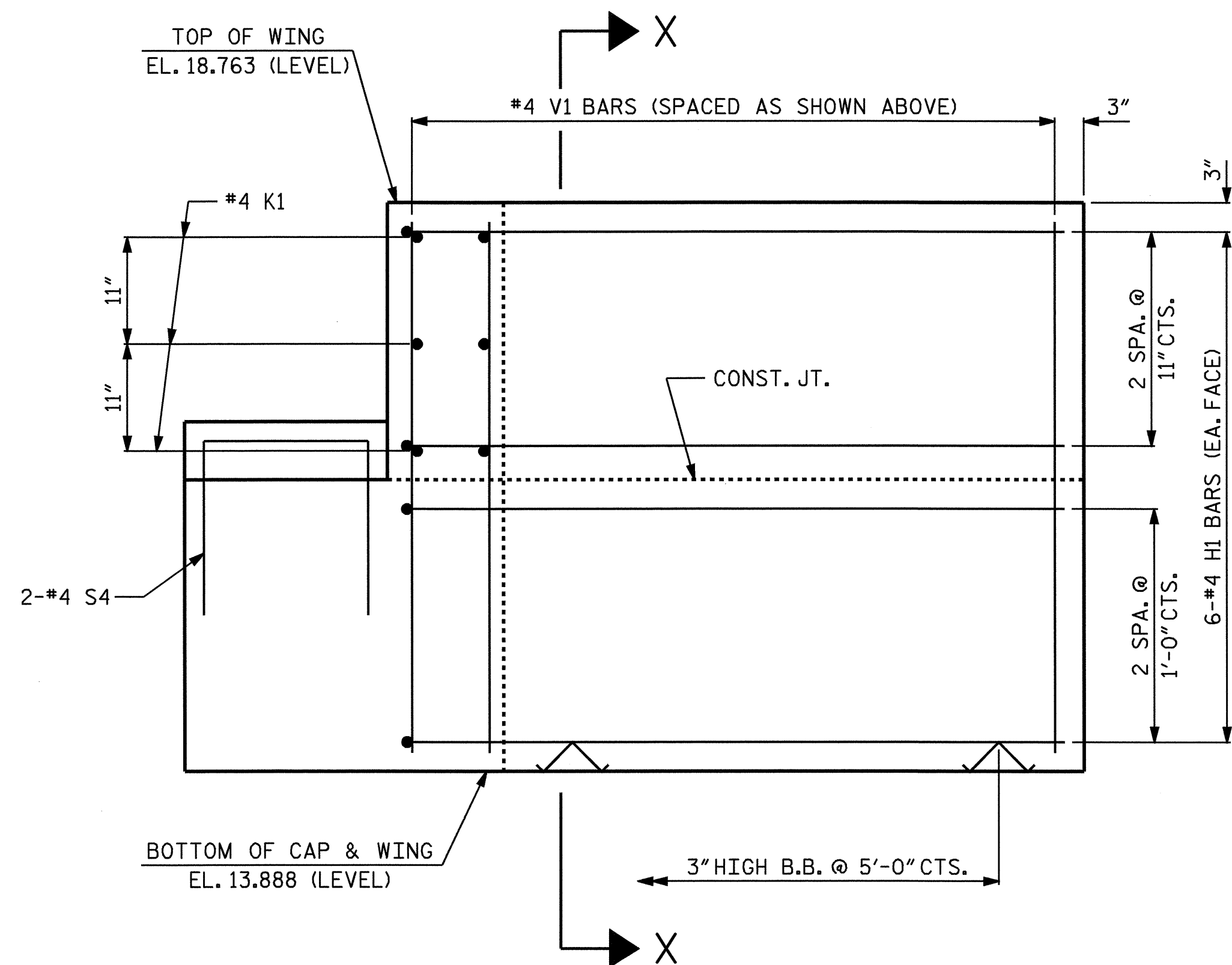


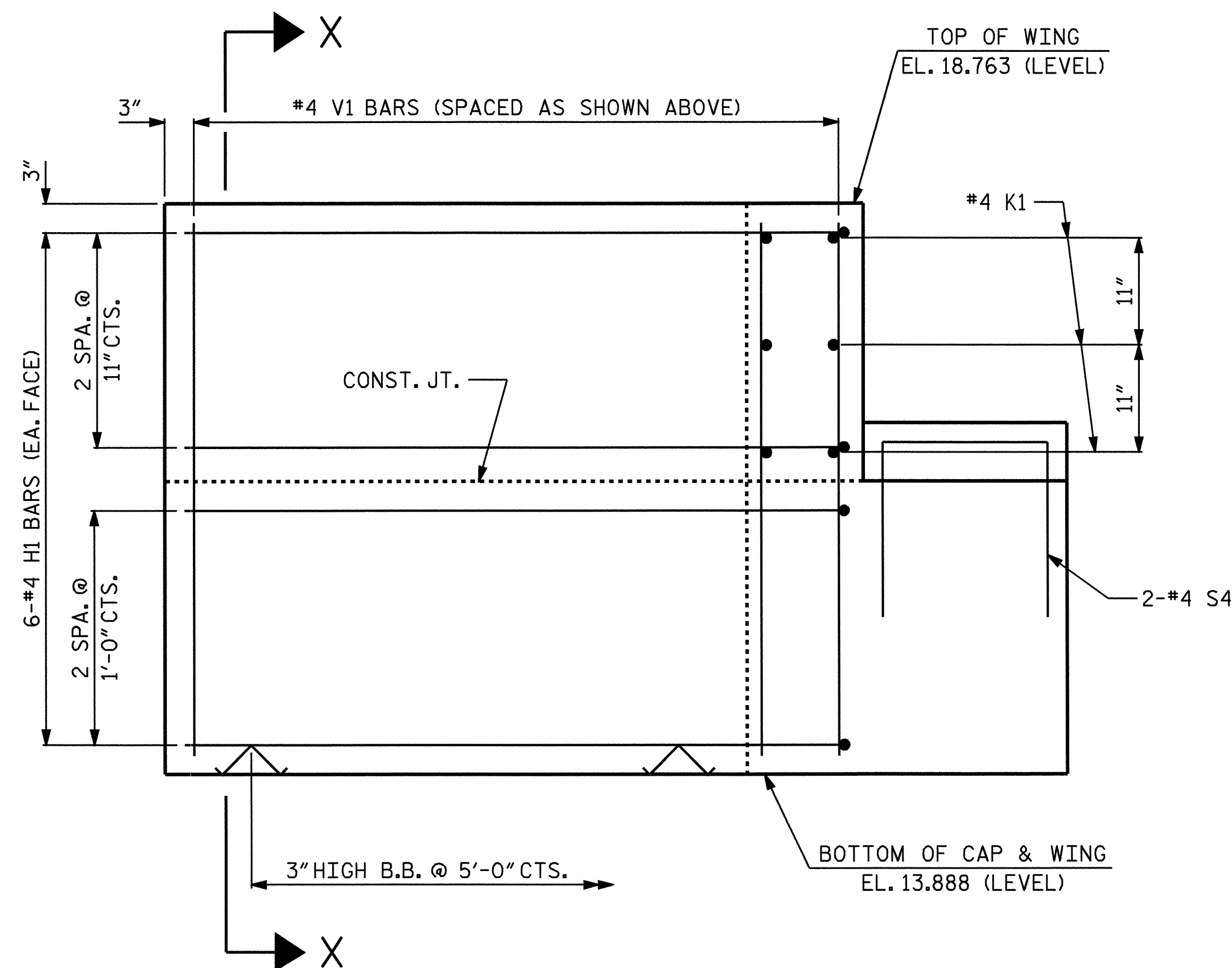
PLAN OF WING (W1)



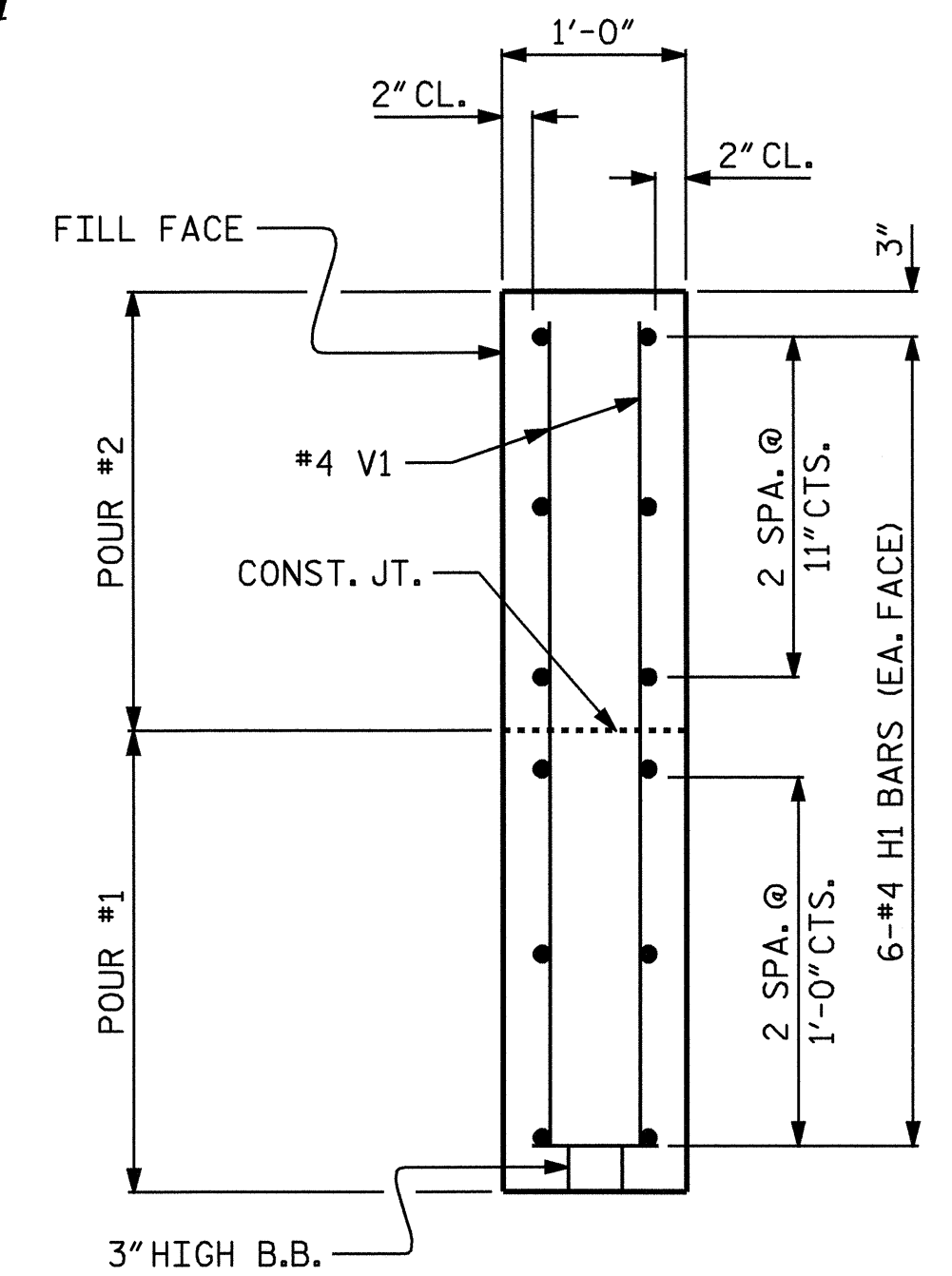
PLAN OF WING (W2)



ELEVATION OF WING (W1)



ELEVATION OF WING (W2)



SECTION X-X

PROJECT NO. B-3682
ONSLOW COUNTY
 STATION: 27+84.47 -L-

SHEET 2 OF 3

STATE OF NORTH CAROLINA
 DEPARTMENT OF TRANSPORTATION
 RALEIGH

SUBSTRUCTURE
 END BENT No. 1



DRAWN BY: P.C. BREWER DATE: 5/11/04
 CHECKED BY: A.R. CHESSON DATE: 5/04

REVISIONS						SHEET NO.
NO.	BY:	DATE:	NO.	BY:	DATE:	S-16
1			3			TOTAL SHEETS
2			4			26