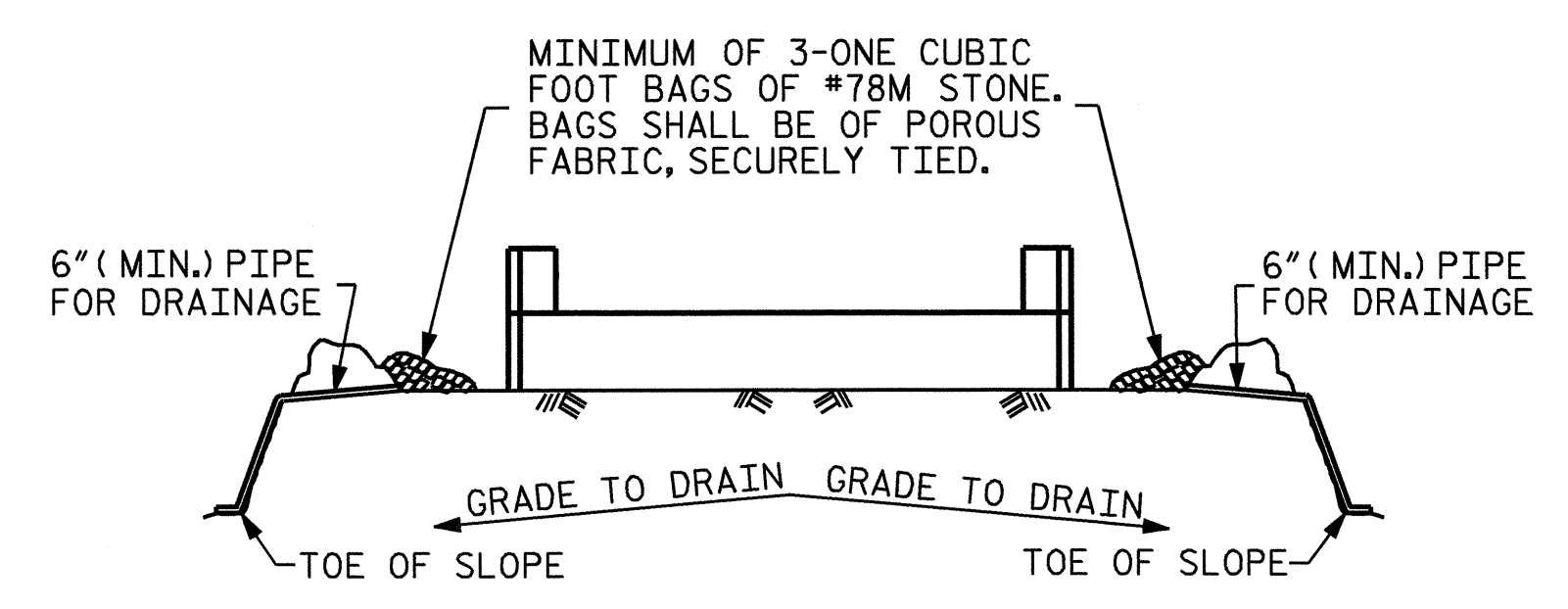


BILL OF MATERIAL					
END BENT No. 1					
BAR	No.	SIZE	TYPE	LENGTH	WEIGHT
B1	8	9	1	44'-0"	1197
B2	16	4	STR	22'-1"	236
B3	10	4	STR	2'-5"	16
D1	24	6	STR	1'-6"	54
H1	24	4	2	6'-4"	102
K1	12	4	STR	3'-1"	25
S1	37	4	3	7'-5"	183
S2	37	4	4	3'-2"	78
S3	12	4	5	6'-6"	52
S4	4	4	6	4'-5"	12
V1	40	4	STR	4'-5"	118
REINFORCING STEEL					2,073 LBS.
CLASS A CONCRETE BREAKDOWN					
POUR #1 CAP & BOTTOM OF WINGS				11.6 C. Y.	
POUR #2 UPPER WINGS				1.5 C. Y.	
POUR #3 LATERAL GUIDE				0.1 C. Y.	
TOTAL CLASS A CONCRETE				13.2 C. Y.	
HP 12 x 53 STEEL PILES					
No. = 6 LIN. FT. = 210.0					

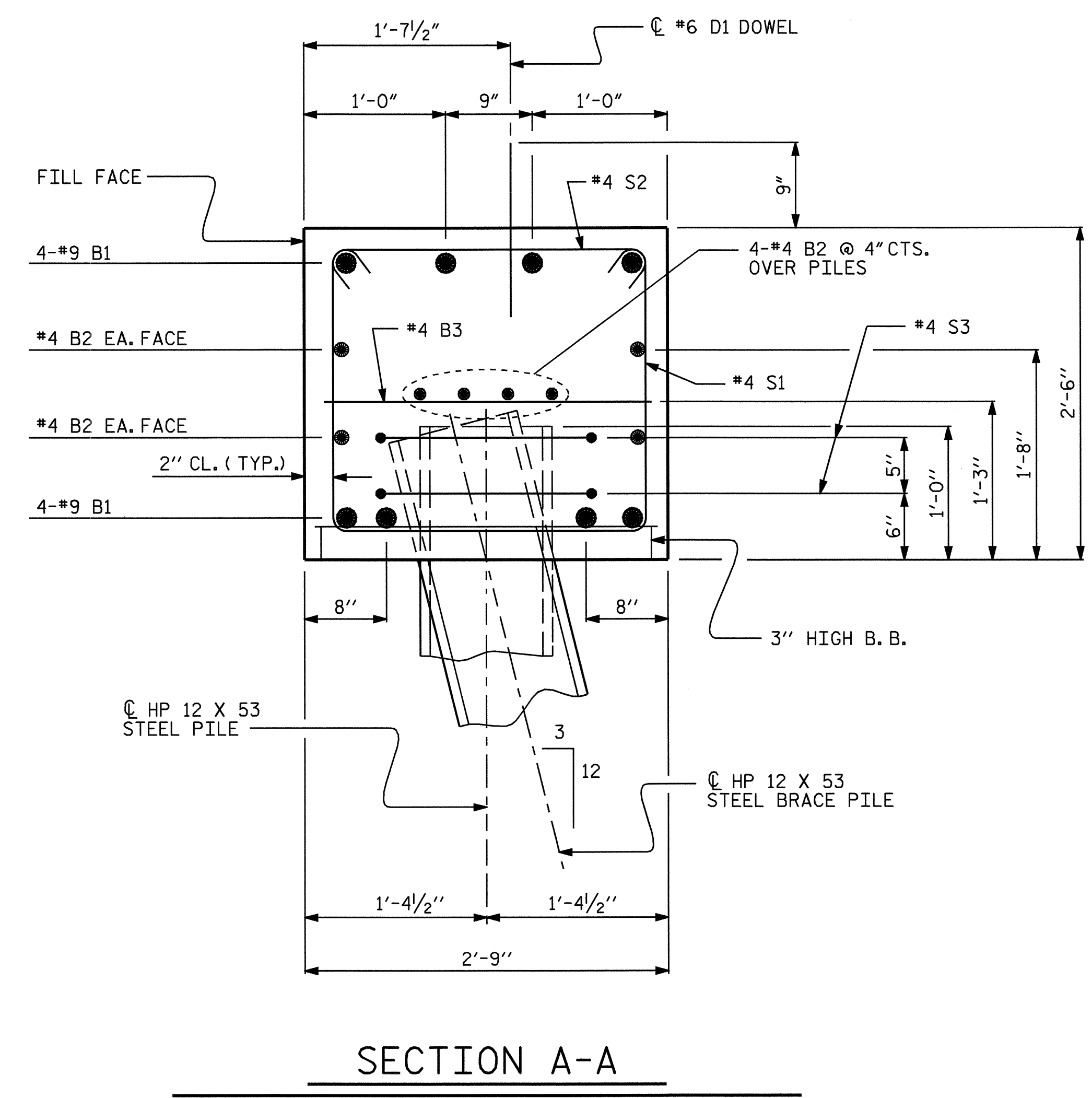
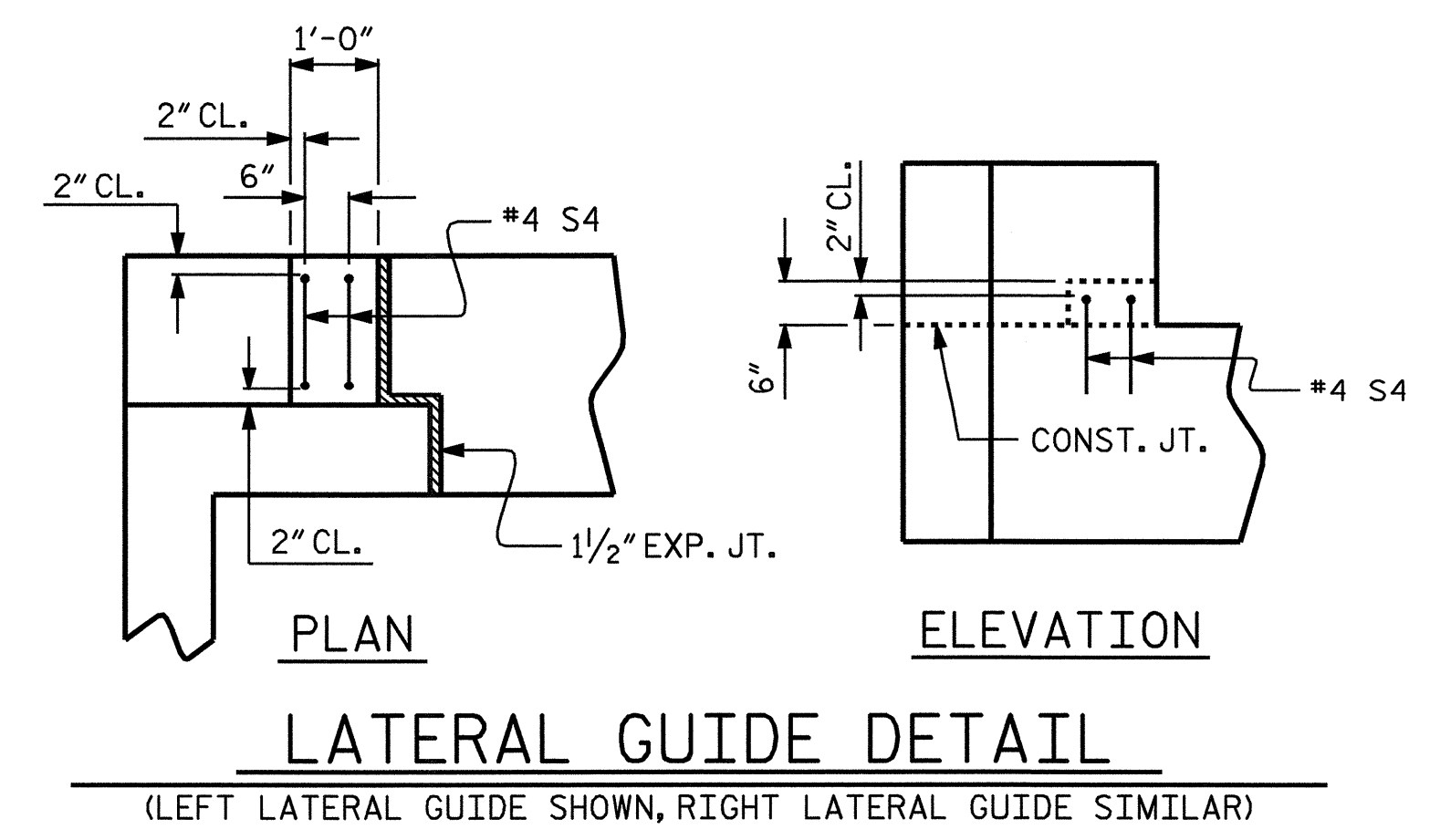


BAGGED STONE AND PIPE SHALL BE PLACED IMMEDIATELY AFTER COMPLETION OF END BENT EXCAVATION. PIPE MAY BE EITHER CONCRETE, CORRUGATED STEEL, CORRUGATED ALUMINUM ALLOY, OR CORRUGATED PLASTIC. PERFORATED PIPE WILL NOT BE ALLOWED.

BAGGED STONE SHALL REMAIN IN PLACE UNTIL THE ENGINEER DIRECTS THAT IN BE REMOVED. THE CONTRACTOR SHALL REMOVE AND DIPOSE OF SILT ACCUMULATIONS AT BAGGED STONE WHEN SO DIRECTED BY THE ENGINEER. BAGS SHALL BE REMOVED AND REPLACED WHENEVER THE ENGINEER DETERMINES THAT THEY HAVE DETERIORATED AND LOST THEIR EFFECTIVENESS.

NO SEPARATE PAYMENT WILL BE MADE FOR THIS WORK AND THE ENTIRE COST OF THIS WORK SHALL BE INCLUDED IN THE UNIT CONTRACT PRICE BID FOR THE SEVERAL PAY ITEMS.

**TEMPORARY DRAINAGE AT END BENT No. 1**



PROJECT NO. B-3682  
ONSLOW COUNTY  
 STATION: 27+84.47 -L-

SHEET 3 OF 3

REVISIONS						SHEET NO.
NO.	BY:	DATE:	NO.	BY:	DATE:	S-17
1			3			TOTAL SHEETS
2			4			26



DRAWN BY: P.C. BREWER DATE: 5/11/04  
 CHECKED BY: A.R. CHESSON DATE: 5/04