

40

30

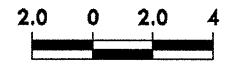
20

10

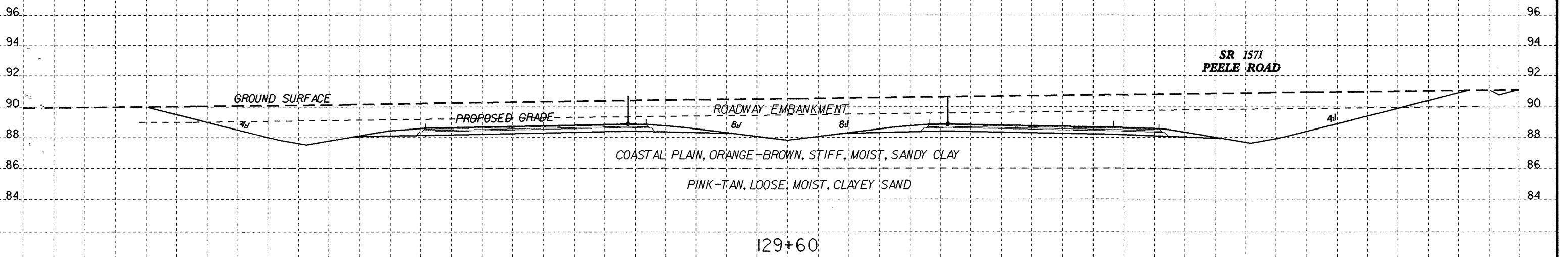
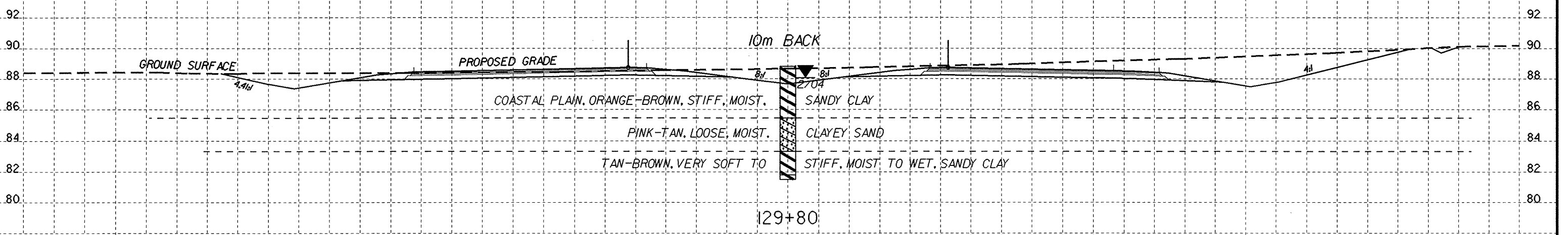
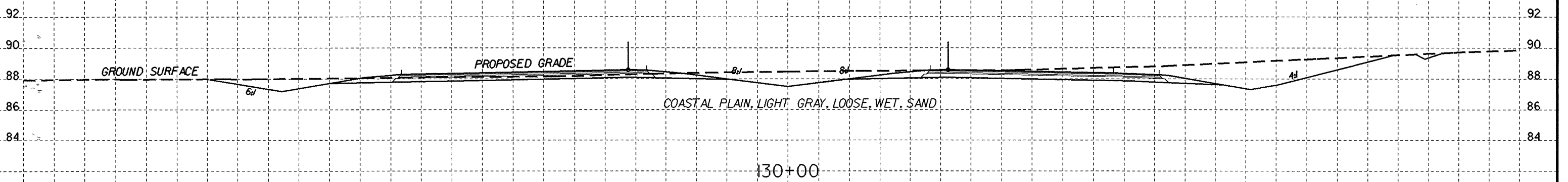
0

10

20



PROJECT REFERENCE NO. R-2552C	SHEET NO. 103 OF 126
----------------------------------	-------------------------



SR 1571
PEELE ROAD

40

30

20

10

0

10

20

30

40