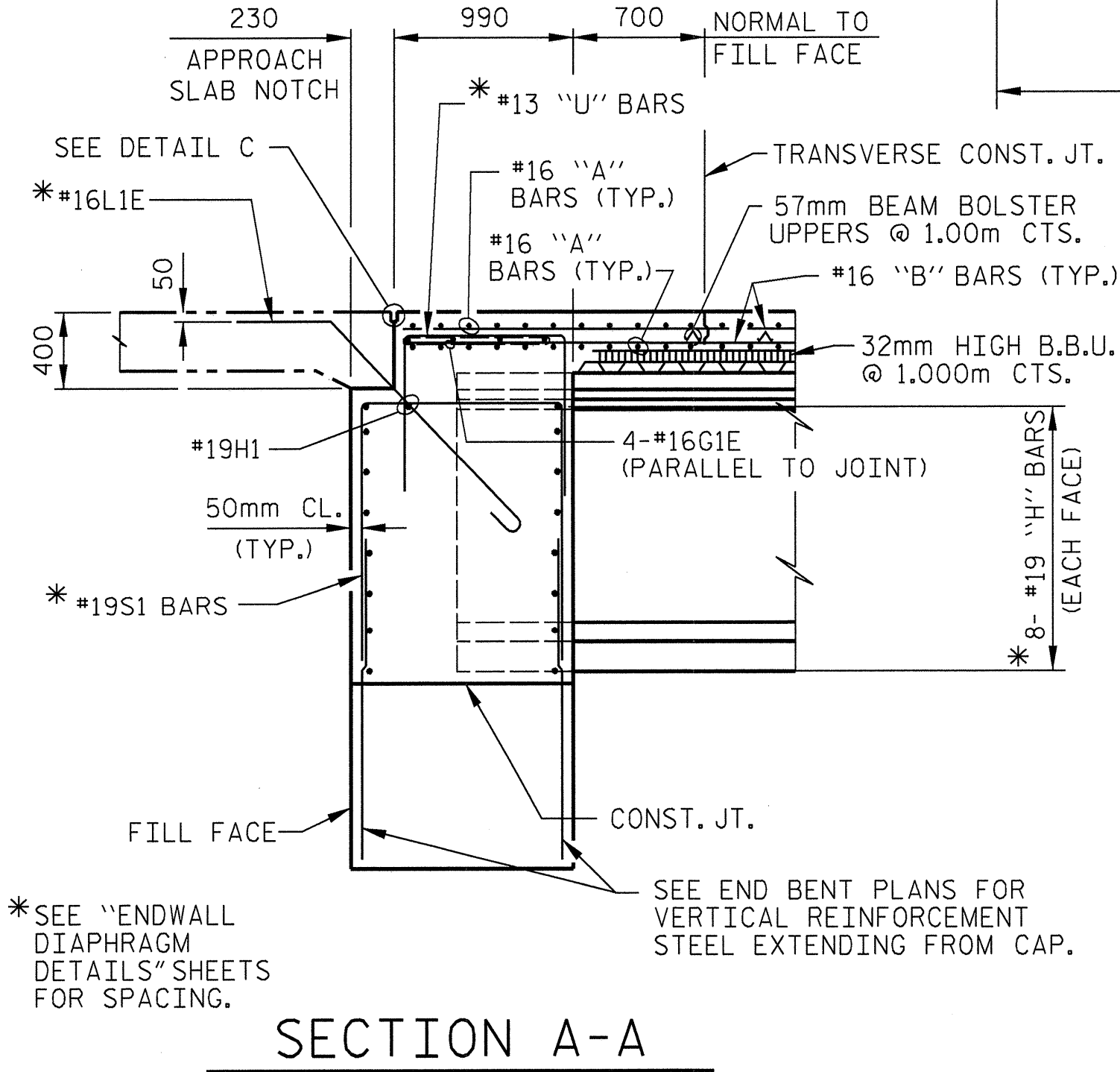


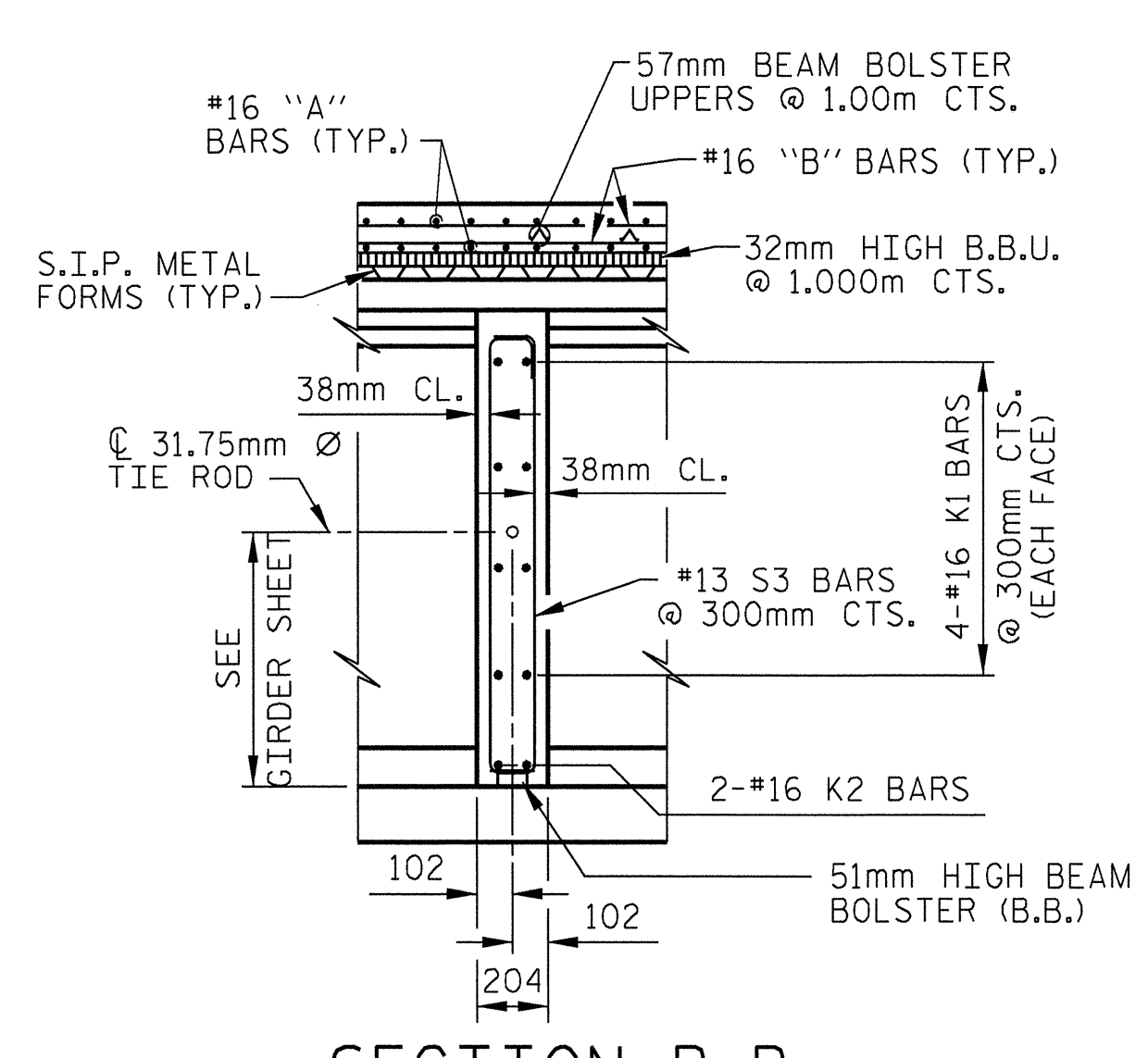
PLAN OF SPAN "A"

NOTES

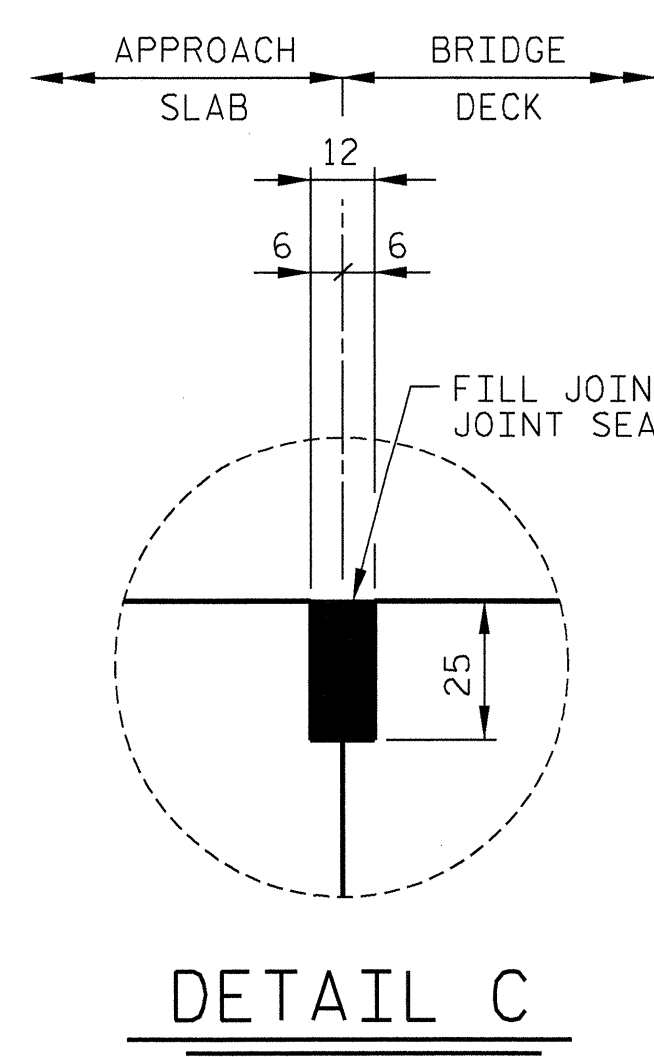
GIRDERS ARE PARALLEL TO LONG CHORD.
 FOR REINFORCING STEEL IN CONCRETE BARRIER RAIL, SEE "CONCRETE BARRIER RAILS" SHEETS.
 FOR DECK POURING SEQUENCE, SEE "SUPERSTRUCTURE BILL OF MATERIAL" SHEET.
 NOTE: SLAB REINFORCING STEEL SHALL BE CONTINUOUS THROUGH JOINT. REINFORCING STEEL IN SLAB NOT SHOWN.



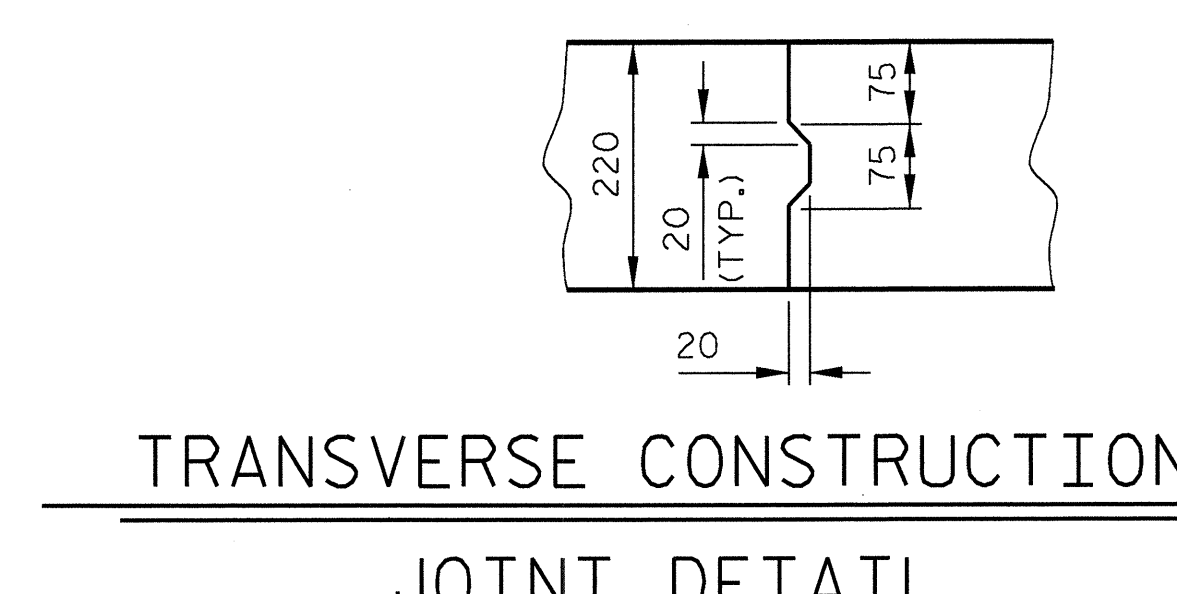
SECTION A-A



SECTION B-B



DETAIL C

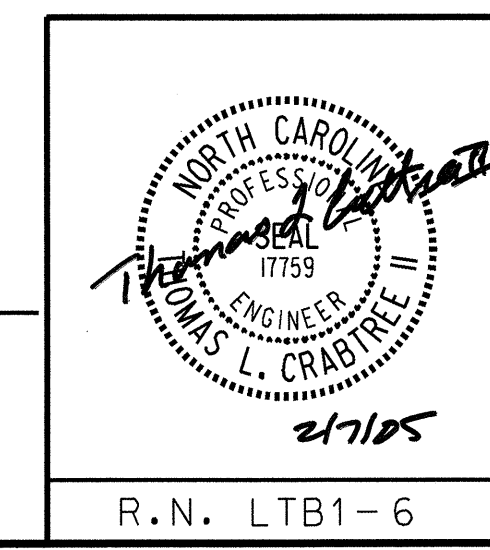


TRANSVERSE CONSTRUCTION JOINT DETAIL



PROJECT NO. R-2552C
 JOHNSTON COUNTY
 STATION: 121+97.157 -L2LT-

STATE OF NORTH CAROLINA DEPARTMENT OF TRANSPORTATION RALEIGH					
SUPERSTRUCTURE PLAN OF SPAN (LEFT BRIDGE)					
REVISIONS					
NO.	BY:	DATE:	NO.	BY:	DATE:
1			3		
2			4		
					SHEET NO. S-271 TOTAL SHEETS 431



R.N. LTB1-6

DATE: 2/4/2005
 TIME: 15:33:08
 USER: klmjlfon
 DGN: K:\7862\U_Bridges\CADD\psl1.dgn

DRAWN BY: LOFTON DATE: 11/04
 CHECKED BY: CJW DATE: 12/04
 APPROVED BY: DATE:

USER: klmjlfon
 DGN: K:\7862\U_Bridges\CADD\psl1.dgn
 DATE: 2/4/2005
 TIME: 15:33:08