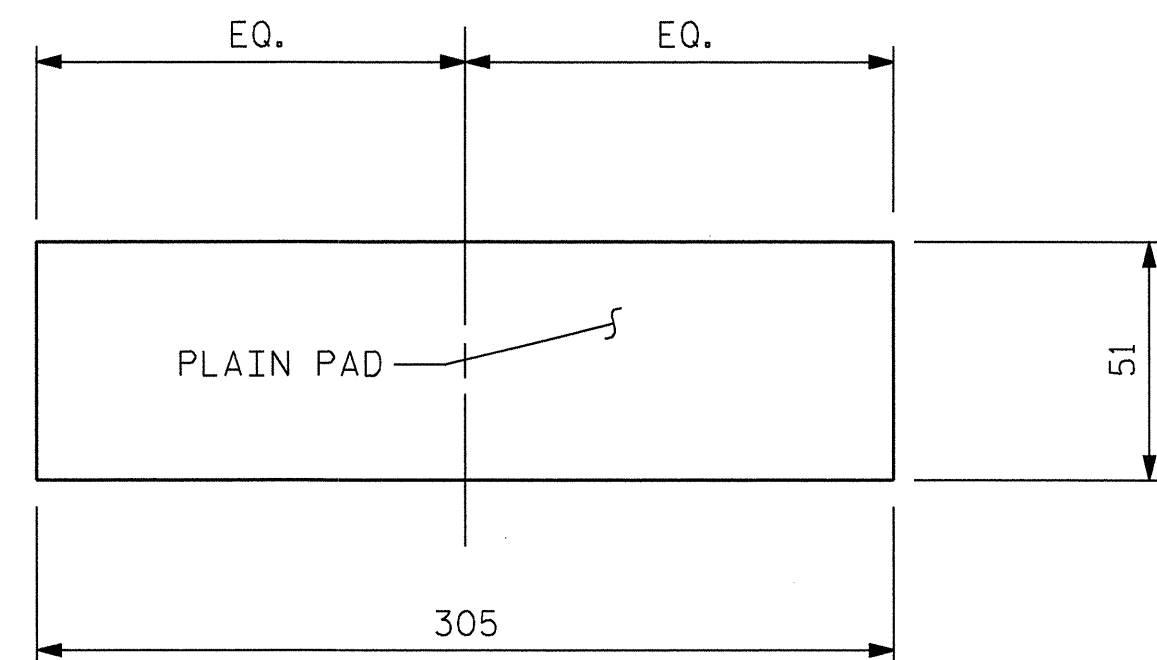
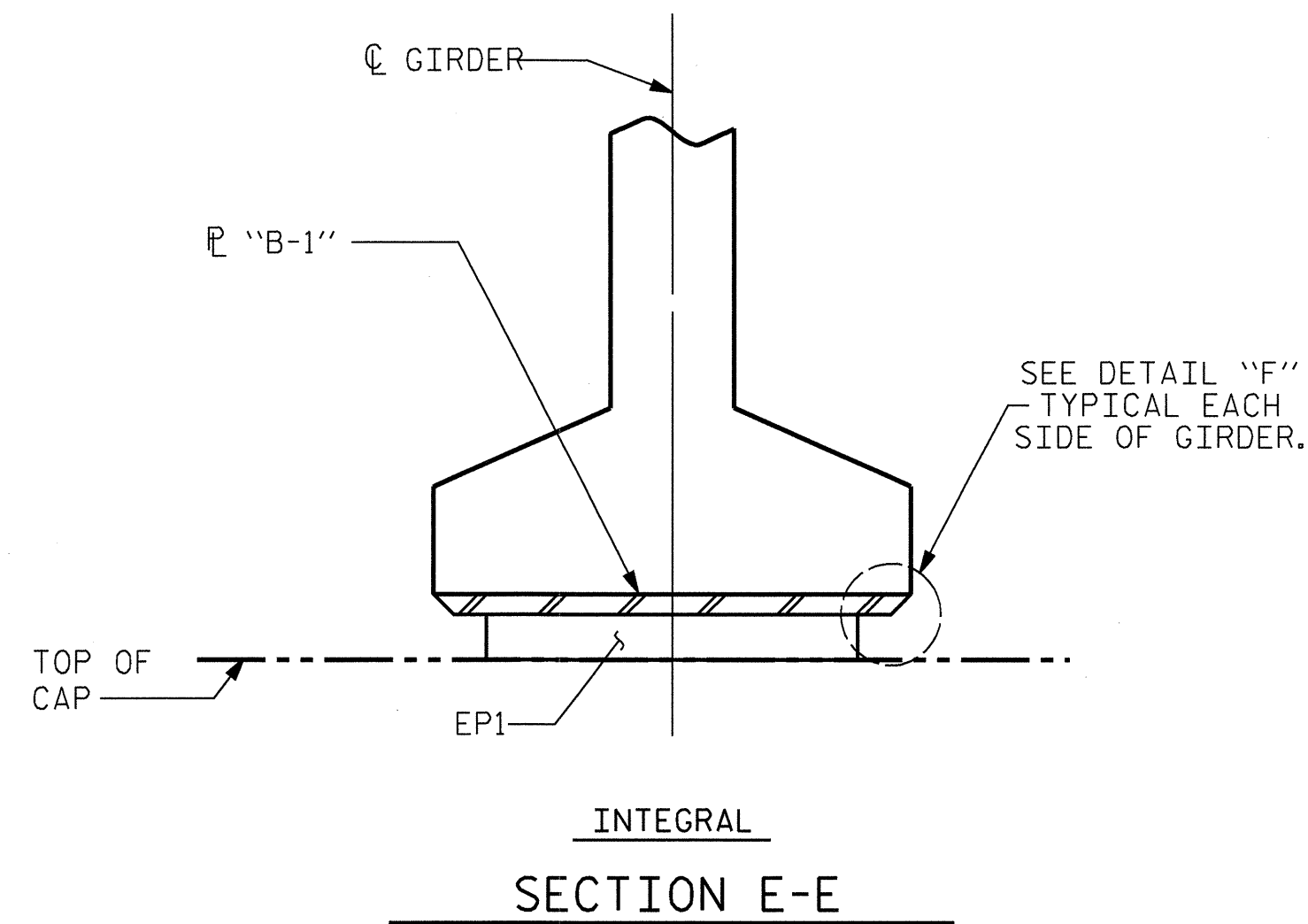
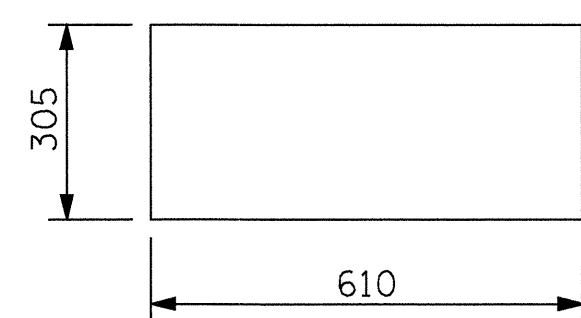


**NOTES**

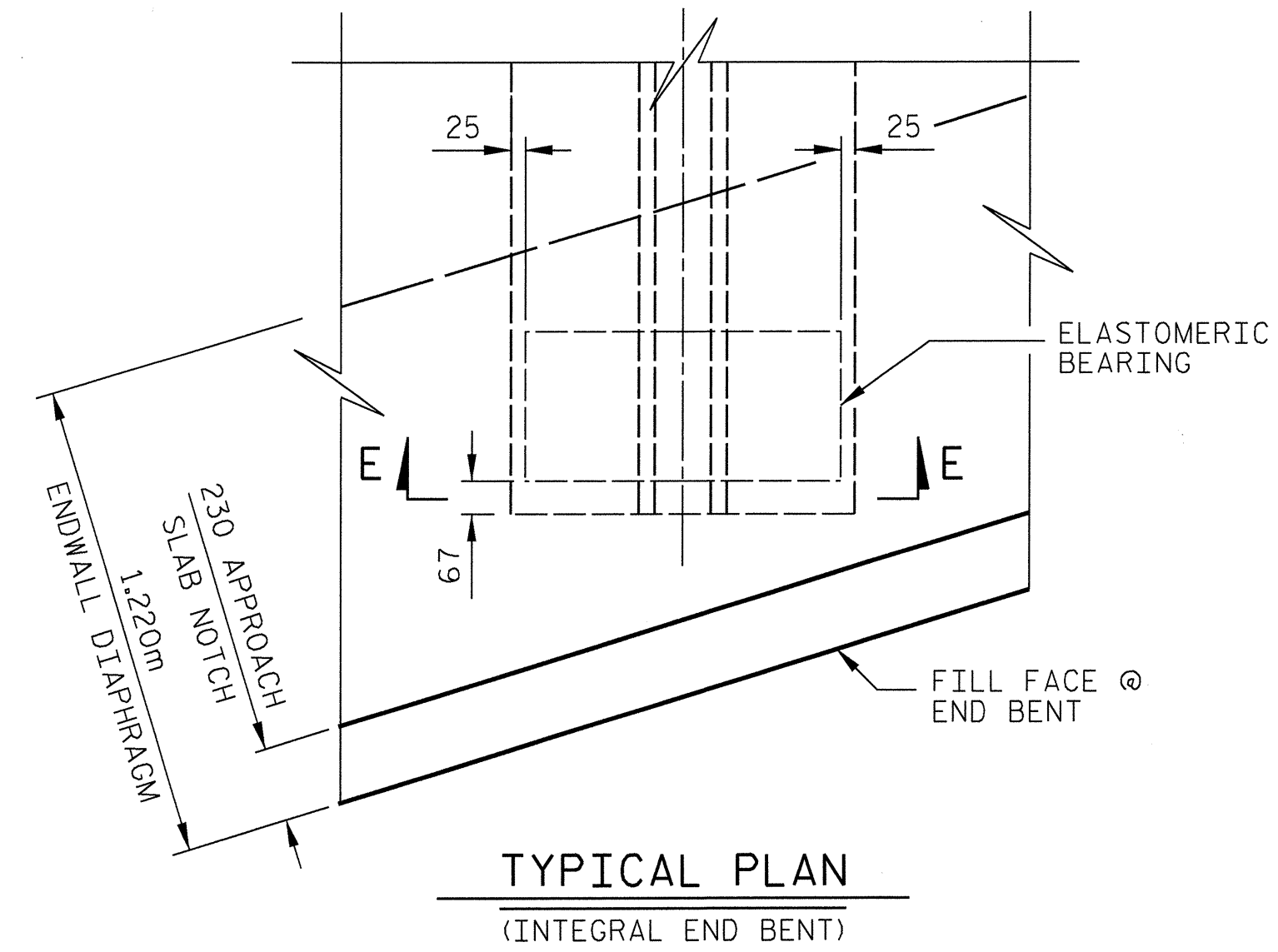
FOR ELASTOMERIC BEARINGS, SEE SPECIAL PROVISIONS.  
ELASTOMER IN ALL BEARINGS SHALL BE 60 DUROMETER HARDNESS.



**TYPICAL SECTION OF ELASTOMERIC BEARINGS**  
(SIDE VIEW)



**EP1 (8 REQUIRED)**  
**PLAN VIEW OF ELASTOMERIC BEARING**



— LOAD RATINGS —	
	MAX. D.L.+L.L.
EP1	743 kN



PROJECT NO. R-2552C  
JOHNSTON COUNTY  
STATION: 121+97.157 -L2LT-

STATE OF NORTH CAROLINA  
DEPARTMENT OF TRANSPORTATION  
RALEIGH  
**SUPERSTRUCTURE  
ELASTOMERIC BEARING  
DETAILS  
(LEFT BRIDGE)  
(PRESTRESSED CONCRETE  
GIRDER SUPERSTRUCTURE)**



REVISIONS						SHEET NO.	
NO.	BY:	DATE:	NO.	BY:	DATE:	TOTAL SHEETS	
1			3			431	
2			4				

DRAWN BY : LOFTON DATE : 11/04  
CHECKED BY : TLC DATE : 12/04  
APPROVED BY : \_\_\_\_\_ DATE : \_\_\_\_\_

R.N. LTB1-13