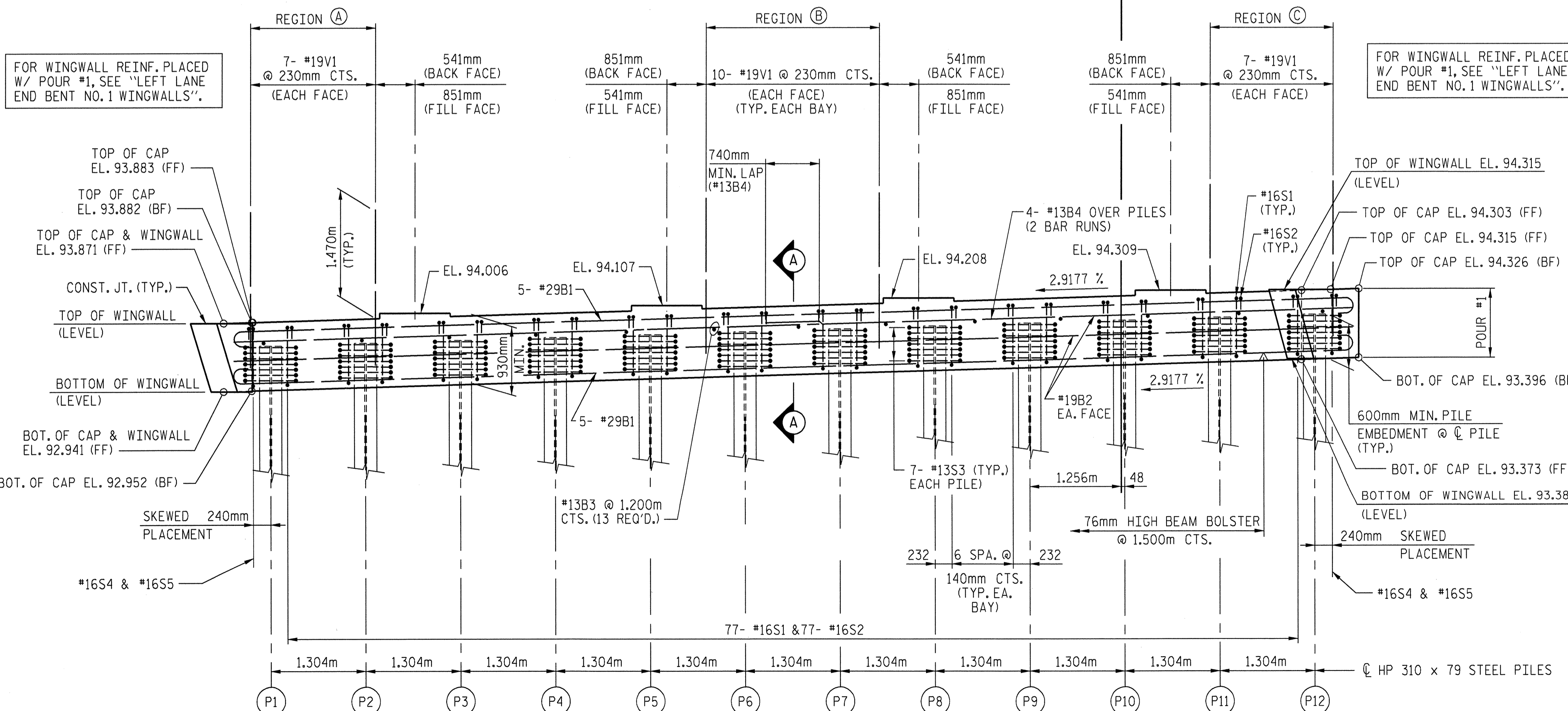
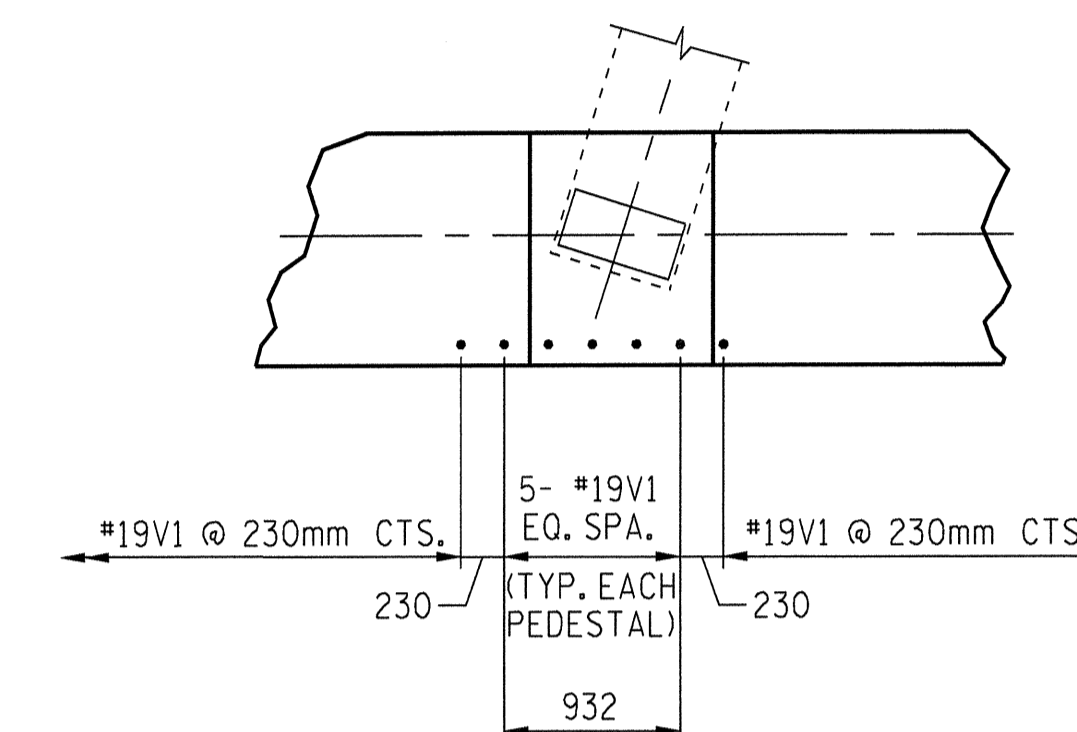
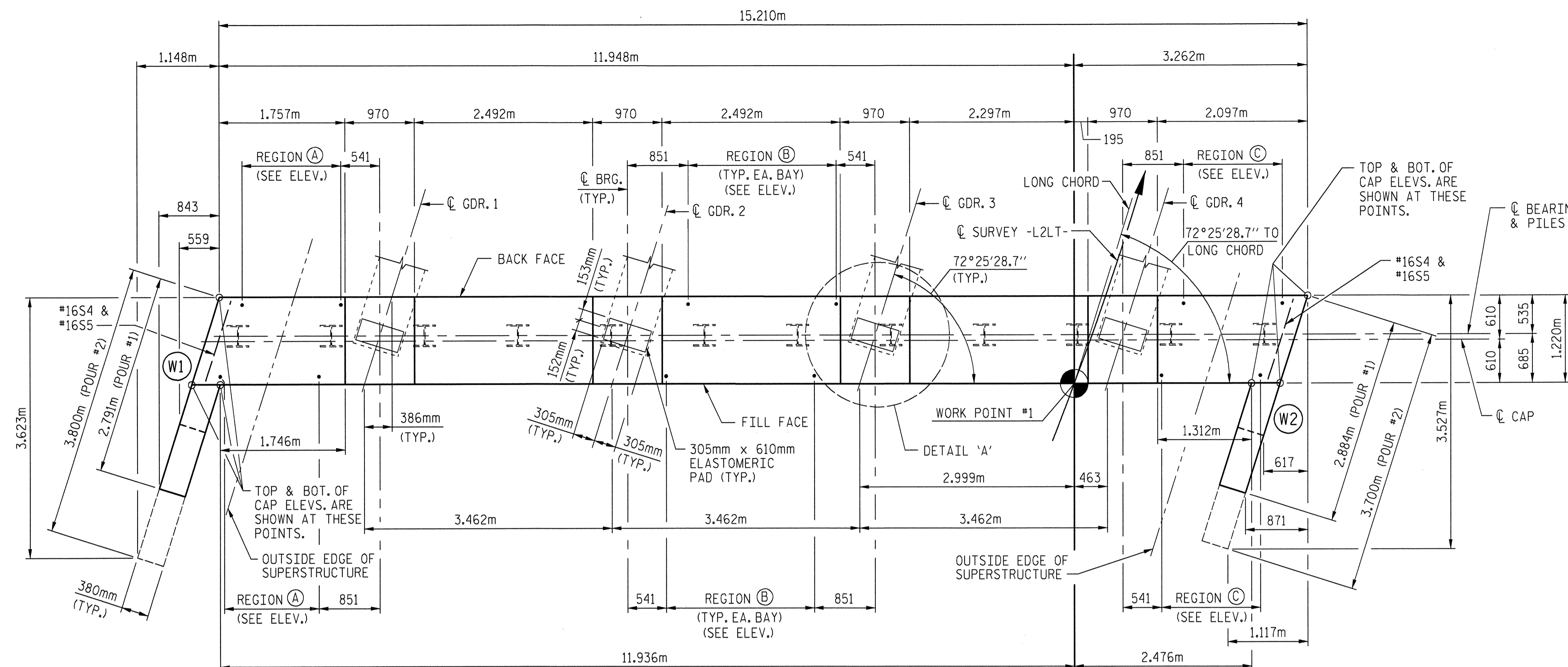
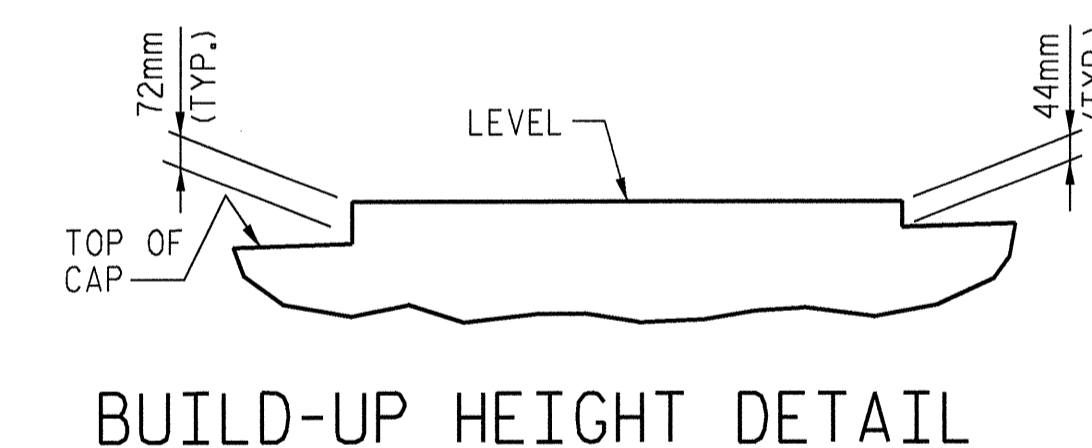


NOTES

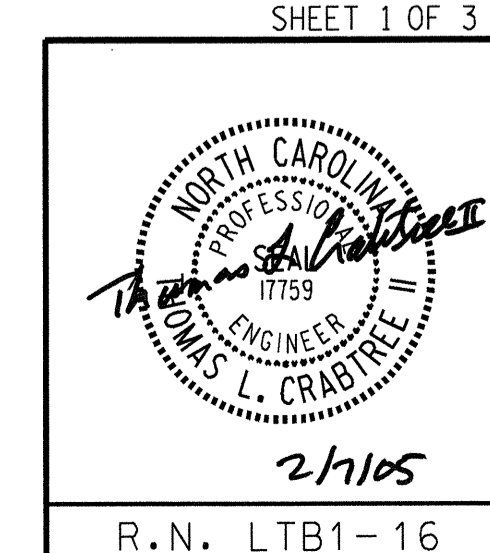
1. FOR PILE SPlice DETAILS, SEE END BENT NO.1, SHEET 3 OF 3.
2. FOR SECTION A-A, SEE END BENT NO.1, SHEET 3 OF 3.
3. FOR DETAILS OF LOWER WINGWALLS AND REINFORCING STEEL, SEE END BENT NO.1, SHEET 2 OF 3.
4. FOR TEMPORARY DRAINAGE DETAILS, SEE END BENT NO.1, SHEET 3 OF 3.
5. FOR TOP OF PILE CUT-OFF ELEVATIONS, SEE END BENT NO.1, SHEET 3 OF 3.
6. THE CONCRETE QUANTITY FOR THE UPPER PORTION OF WINGWALLS SHALL BE INCLUDED WITH ENDWALL CONCRETE QUANTITY. SEE SUPERSTRUCTURE BILL OF MATERIAL.



FF = FILL FACE  
BF = BACK FACE



PROJECT NO. R-2552C  
JOHNSTON COUNTY  
STATION: 121+97.157 -L2LT-



STATE OF NORTH CAROLINA  
DEPARTMENT OF TRANSPORTATION  
RALEIGH

SUBSTRUCTURE  
(LEFT LANE BRIDGE)  
END BENT NO. 1  
PLAN AND ELEVATION

| REVISIONS |     |       |     |     |       | SHEET NO.    |
|-----------|-----|-------|-----|-----|-------|--------------|
| NO.       | BY: | DATE: | NO. | BY: | DATE: | TOTAL SHEETS |
| 1         |     |       | 3   |     |       | 5-221        |
| 2         |     |       | 4   |     |       | 431          |

DRAWN BY: MTB DATE: 11/04  
CHECKED BY: TLC DATE: 12/04  
APPROVED BY: DATE: