

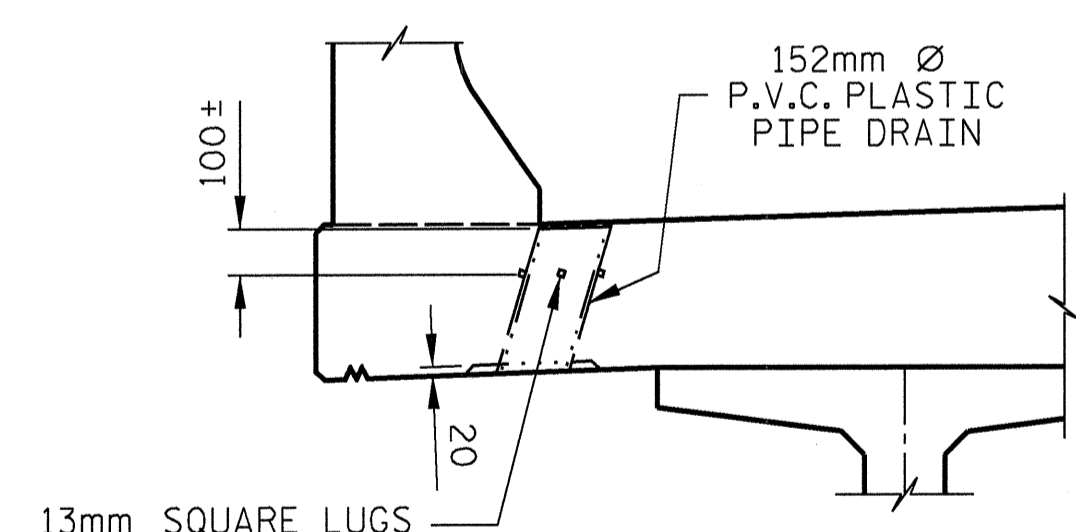
NEAR END BENT DIAPHRAGMS

NEAR INTERMEDIATE DIAPHRAGMS

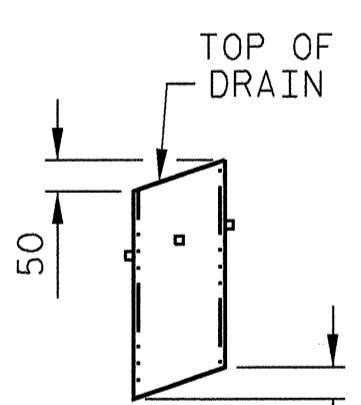
TYPICAL SECTION

NOTES

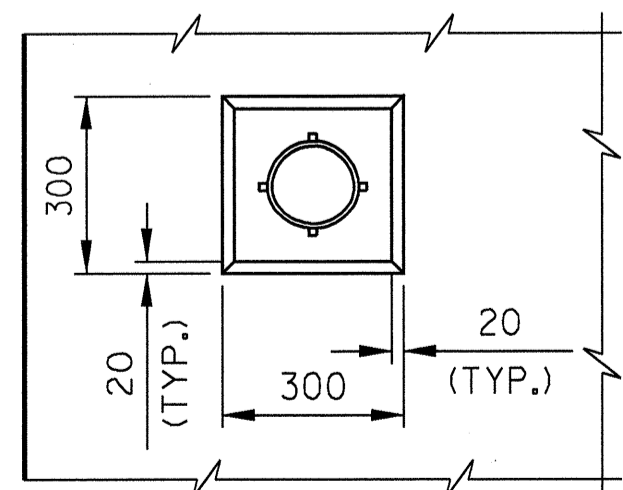
- LONGITUDINAL STEEL MAY BE SHIFTED SLIGHTLY, AS NECESSARY, TO AVOID INTERFERENCE WITH STIRRUPS IN PRESTRESSED CONCRETE GIRDERS.
- PREVIOUSLY CAST CONCRETE IN A CONTINUOUS UNIT SHALL HAVE ATTAINED A MINIMUM COMPRESSIVE STRENGTH OF 20.7 MPa BEFORE ADDITIONAL CONCRETE IS CAST IN THE UNIT.
- TEMPORARY STRUTS SHALL BE PLACED BETWEEN PRESTRESSED GIRDERS ADJACENT TO THE DIAPHRAGMS AND THE NUTS ON THE 31.75mm DIA. TIE RODS SHALL BE FULLY TIGHTENED BEFORE THE DIAPHRAGMS ARE CAST. STRUTS SHALL REMAIN IN PLACE 3 DAYS AFTER CONCRETE IS PLACED. THE TIE RODS SHALL BE RE-TIGHTENED AFTER THE STRUTS HAVE BEEN REMOVED.
- CONCRETE IN BENT AND INTERMEDIATE DIAPHRAGMS MAY BE CLASS A IN LIEU OF CLASS AA. PAYMENT SHALL BE MADE UNDER THE UNIT CONTRACT PRICE FOR REINFORCED CONCRETE DECK SLAB.
- PRESTRESSED CONCRETE DECK PANELS MAY BE USED IN LIEU OF METAL STAY-IN-PLACE FORMS IN ACCORDANCE WITH ARTICLE 420-3 OF THE STANDARD SPECIFICATIONS.
- THE SKEWED END CONDITIONS AT THE END BENTS ARE SUCH THAT THE USE OF 1.22m WIDE PRESTRESSED CONCRETE DECK PANELS IS NOT POSSIBLE; HOWEVER, THE USE OF 2.44m WIDE PRESTRESSED CONCRETE DECK PANELS IS POSSIBLE.
- PROVIDE 32mm HIGH BEAM BOLSTERS UPPER AT 1.2m CTS. ATOP THE METAL STAY-IN-PLACE FORMS TO SUPPORT THE BOTTOM MAT OF 'A' BARS. WHEN USING REMOVABLE FORMS, PROVIDE CONTINUOUS HIGH CHAIRS FOR METAL DECK (C.H.C.M.) AT 1.2m CTS. WITH A HEIGHT TO SUPPORT THE BOTTOM MAT OF 'A' BARS A CLEAR DISTANCE OF 65mm ABOVE THE TOP OF THE REMOVABLE FORM.



ELEVATION



PIPE DRAIN



PLAN OF RECESS

DRAIN DETAILS

* TO BE SET TO MATCH SLOPE OF BOTTOM OF OVERHANG (4 REQUIRED)

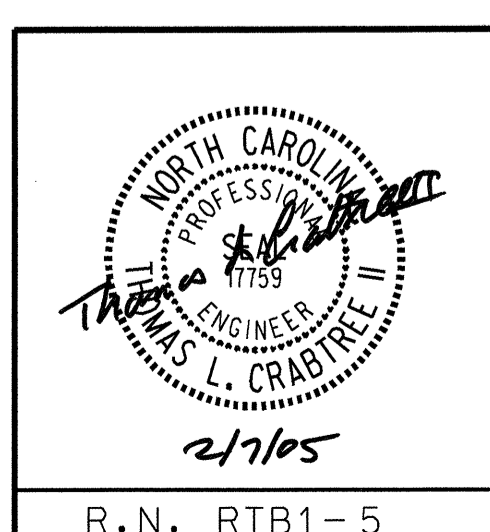
TOP OF FLOOR DRAIN TO BE SET 10mm BELOW SURFACE OF SLAB.

4 - 13mm SQUARE LUGS TO BE GLUED TO THE P.V.C. PLASTIC PIPE AT EQUAL SPACES AROUND THE PIPE DRAIN APPROXIMATELY 100mm FROM THE TOP OF THE PIPE.

THE 152mm DIAMETER P.V.C. PIPE AND FITTINGS SHALL BE SCHEDULE 40 AND CONFORM TO ASTM D1785.



PROJECT NO. R-2552C
 JOHNSTON COUNTY
 STATION: 122+14.832 -L2RT-



STATE OF NORTH CAROLINA		DEPARTMENT OF TRANSPORTATION		RALEIGH	
SUPERSTRUCTURE					
TYPICAL SECTION (RIGHT BRIDGE)					
REVISIONS					
NO.	BY:	DATE:	NO.	BY:	DATE:
1			3		
2			4		
					SHEET NO. S-298
					TOTAL SHEETS 431

DRAWN BY: LOFTON DATE: 11/04
 CHECKED BY: CJW DATE: 12/04
 APPROVED BY: DATE:

R.N. RTB1-5