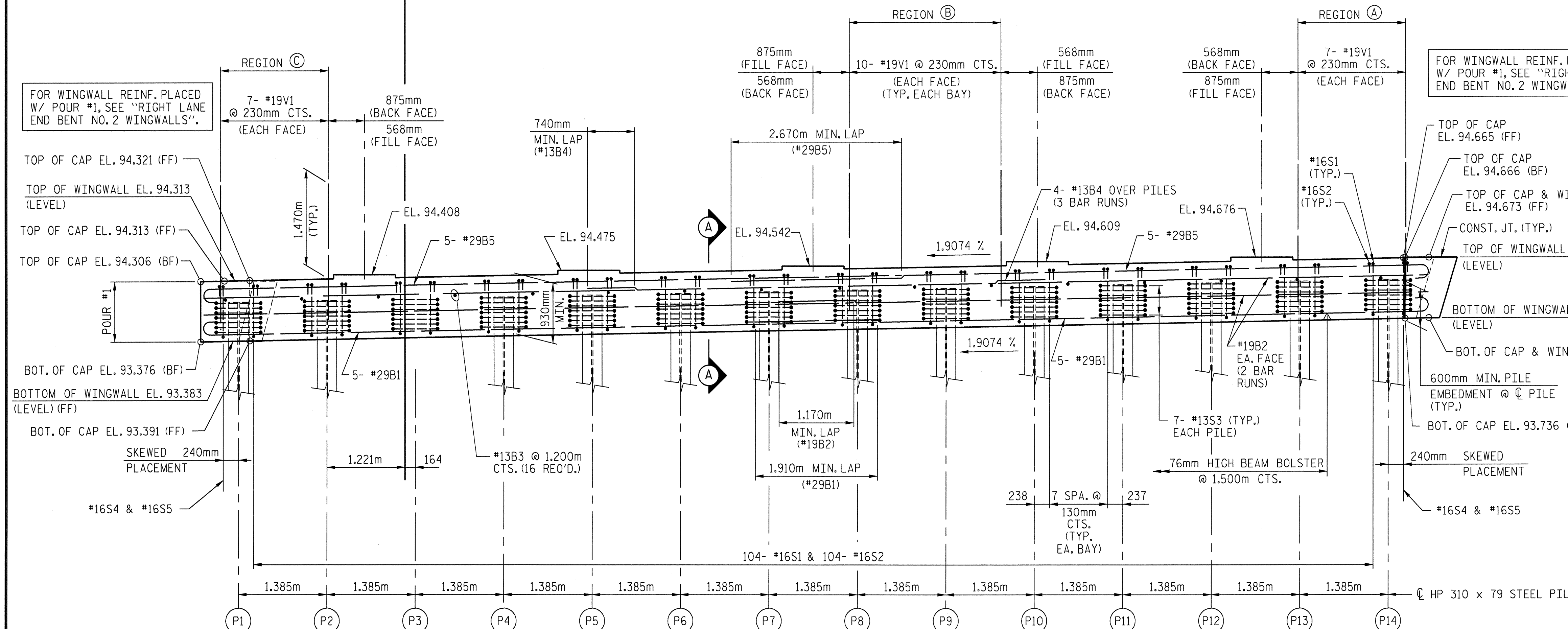
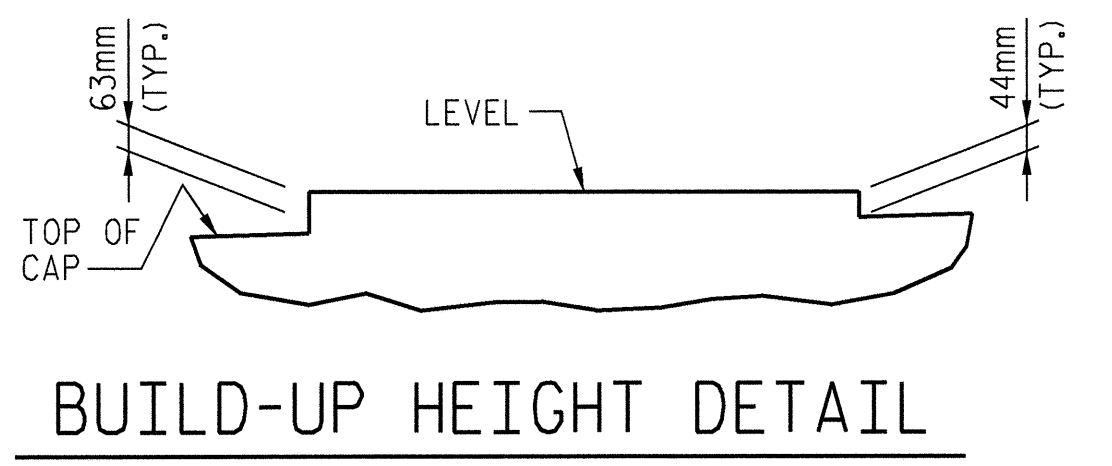
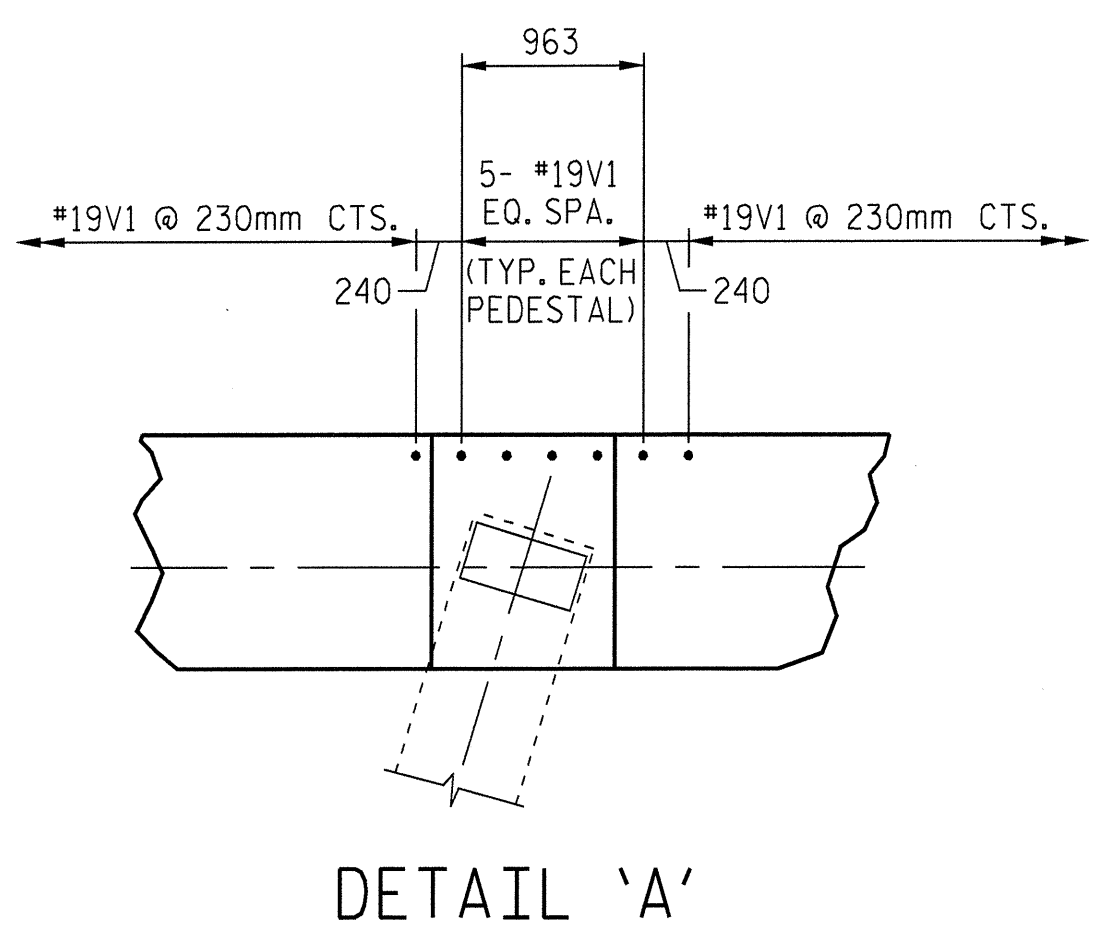


PLAN



ELEVATION

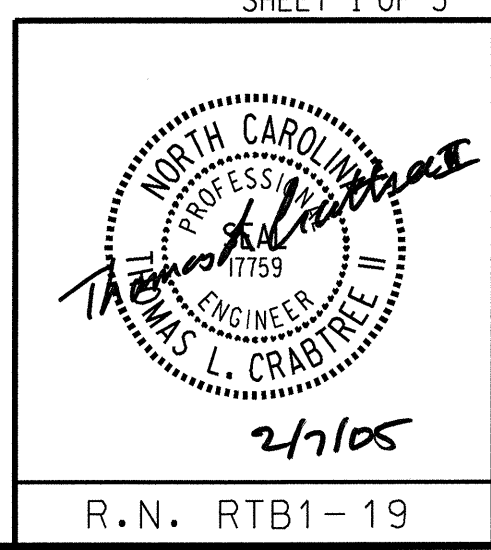
- NOTES**
1. FOR PILE SPLICE DETAILS, SEE END BENT NO. 2, SHEET 3 OF 3.
  2. FOR SECTION A-A, SEE END BENT NO. 2, SHEET 3 OF 3.
  3. FOR DETAILS OF LOWER WINGWALLS AND REINFORCING STEEL, SEE END BENT NO. 2, SHEET 2 OF 3.
  4. FOR TEMPORARY DRAINAGE DETAILS, SEE END BENT NO. 1, SHEET 3 OF 3.
  5. FOR TOP OF PILE CUT-OFF ELEVATIONS, SEE END BENT NO. 2, SHEET 3 OF 3.
  6. THE CONCRETE QUANTITY FOR THE UPPER PORTION OF WINGWALLS SHALL BE INCLUDED WITH ENDWALL CONCRETE QUANTITY. SEE SUPERSTRUCTURE BILL OF MATERIAL.



PROJECT NO. R-2552C  
JOHNSTON COUNTY  
 STATION: 122+14.832 -L2RT-

STATE OF NORTH CAROLINA  
 DEPARTMENT OF TRANSPORTATION  
 RALEIGH

SUBSTRUCTURE  
 (RIGHT LANE BRIDGE)  
 END BENT NO. 2  
 PLAN AND ELEVATION



REVISIONS			SHEET NO.		
NO.	BY:	DATE:	NO.	BY:	DATE:
1			3		
2			4		

TOTAL SHEETS: 431

DRAWN BY: MTB DATE: 11/04  
 CHECKED BY: TLC DATE: 12/04  
 APPROVED BY: DATE:

R.N. RTB1-19