

NOTES

THE GUARDRAIL ANCHOR ASSEMBLY SHALL CONSIST OF A 6mm HOLD DOWN PLATE AND 7 - 22.23mm Ø BOLTS WITH NUTS AND WASHERS.

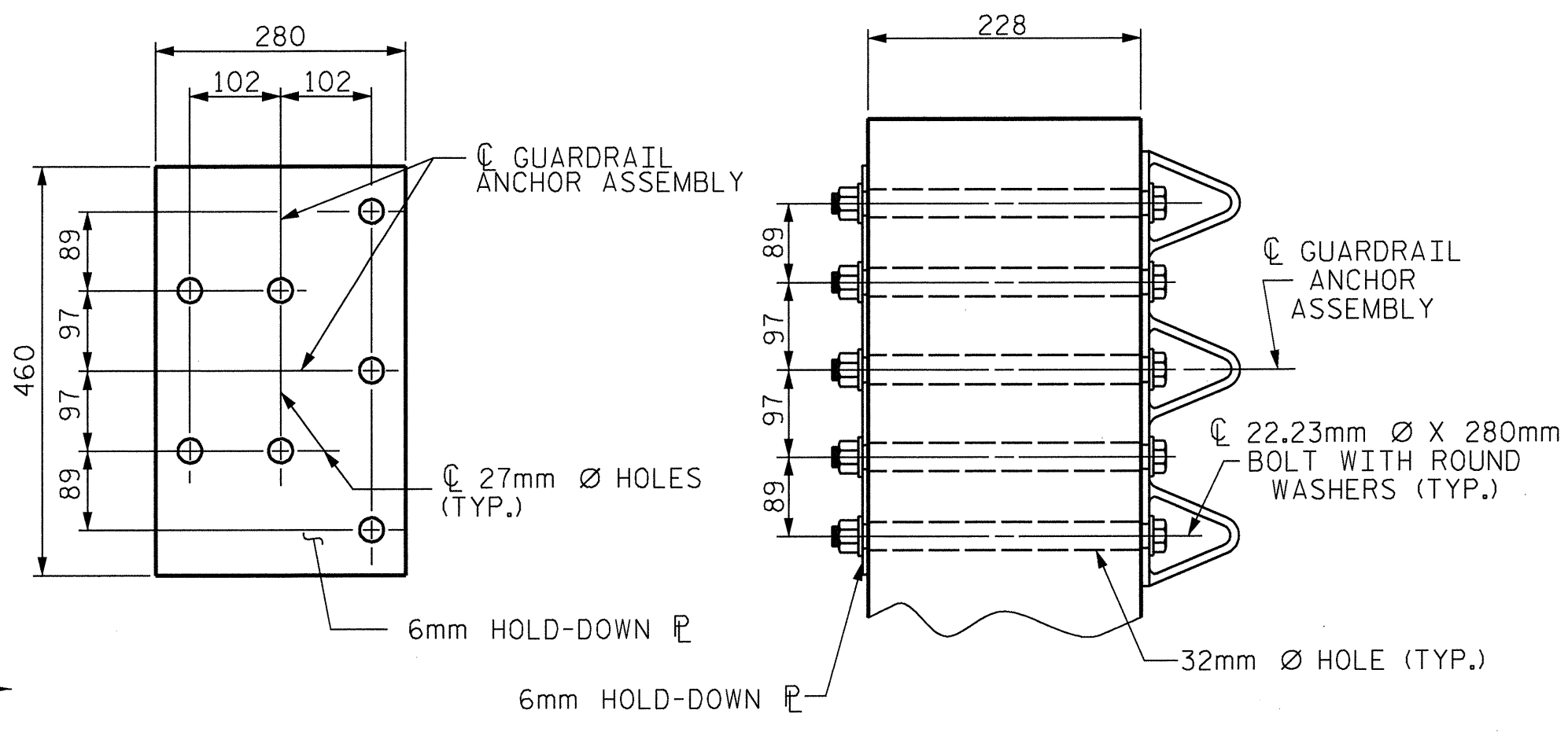
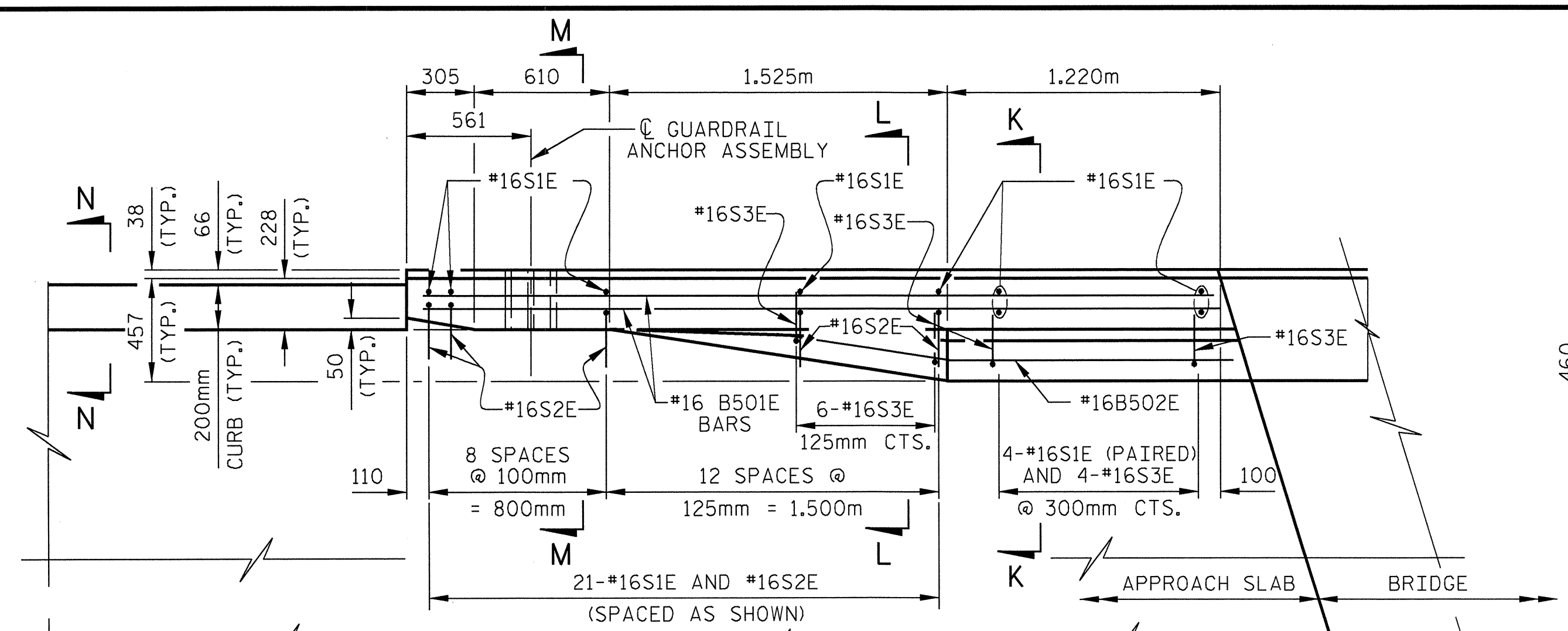
THE HOLD-DOWN PLATE SHALL CONFORM TO AASHTO M270 GRADE 250. AFTER FABRICATION, THE HOLD-DOWN PLATE SHALL BE GALVANIZED IN ACCORDANCE WITH AASHTO M111.

BOLTS SHALL CONFORM TO THE REQUIREMENTS OF ASTM A307 AND NUTS SHALL CONFORM TO THE REQUIREMENTS OF AASHTO M291M. BOLTS, NUTS AND WASHERS SHALL BE GALVANIZED. AT THE CONTRACTOR'S OPTION, STAINLESS STEEL BOLTS, NUTS AND WASHERS MAY BE USED AS AN ALTERNATE FOR THE 22.23mm Ø GALVANIZED BOLTS, NUTS AND WASHERS. THEY SHALL CONFORM TO OR EXCEED THE MECHANICAL REQUIREMENTS OF ASTM A307. THE USE OF THIS ALTERNATE SHALL BE APPROVED BY THE ENGINEER.

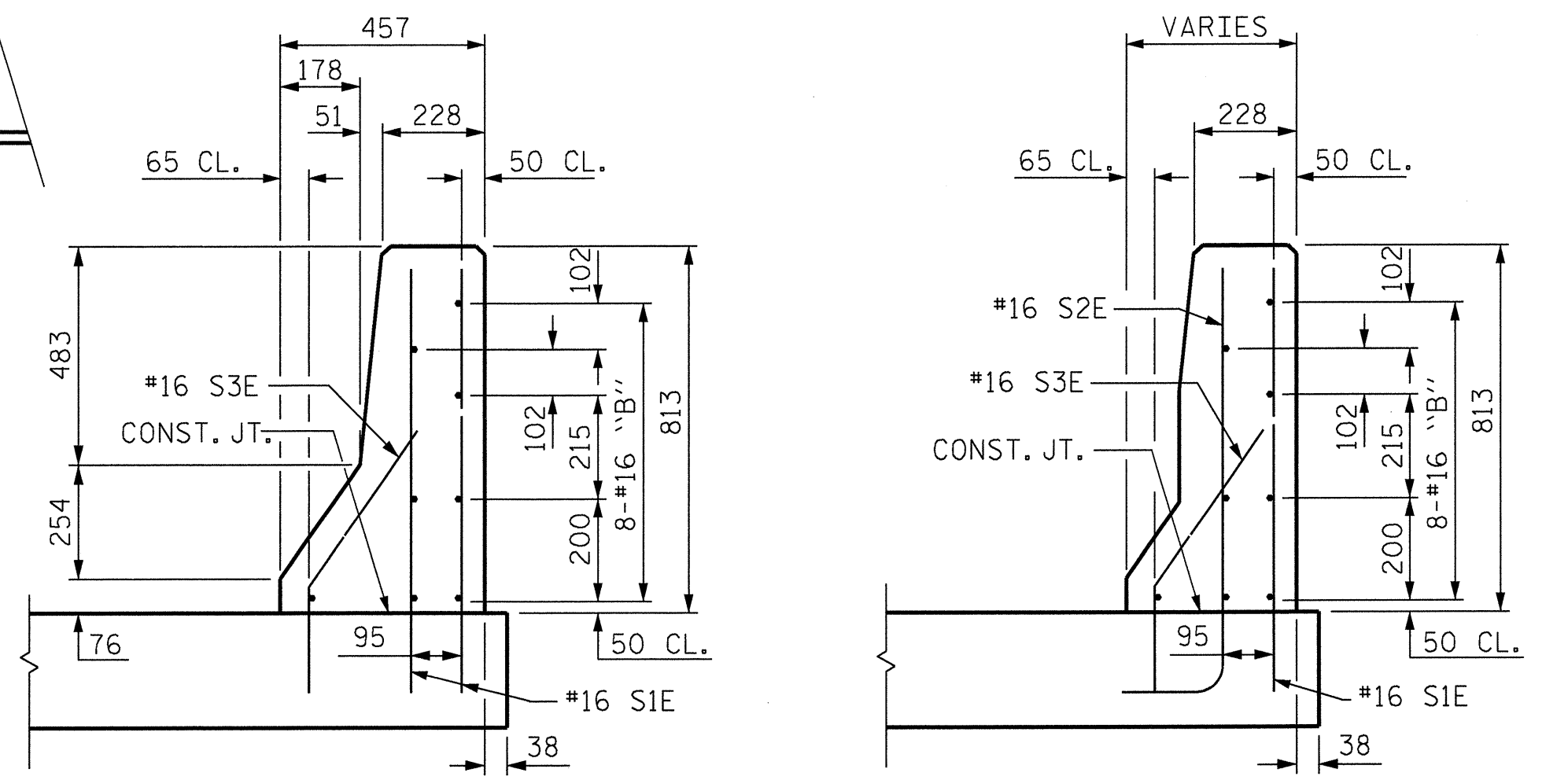
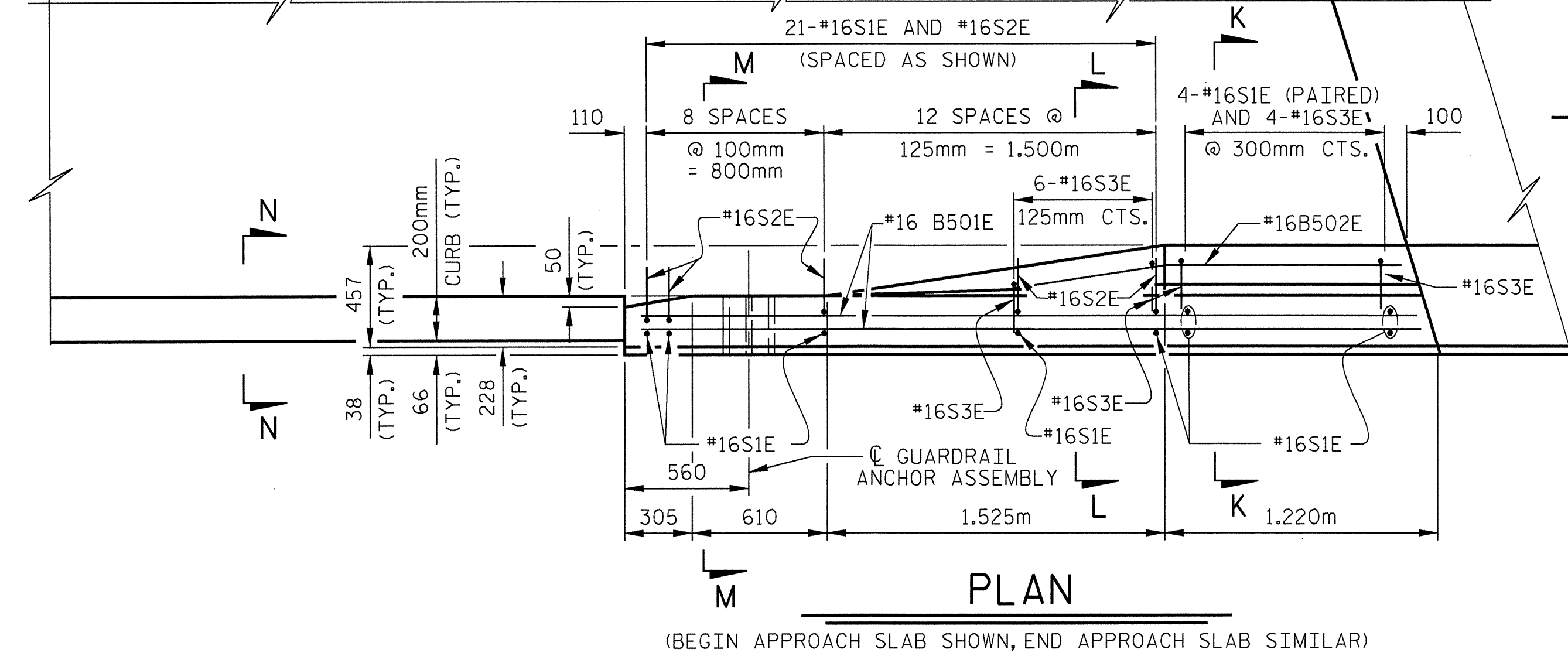
AFTER INSTALLATION, THE EXPOSED THREAD OF THE BOLT SHALL BE BURRED WITH A SHARP POINTED TOOL.

THE COST OF THE GUARDRAIL ANCHOR ASSEMBLIES WITH BOLTS, NUTS AND WASHERS COMPLETE IN PLACE, SHALL BE INCLUDED IN THE LUMP SUM CONTRACT PRICE BID FOR BRIDGE APPROACH SLABS.

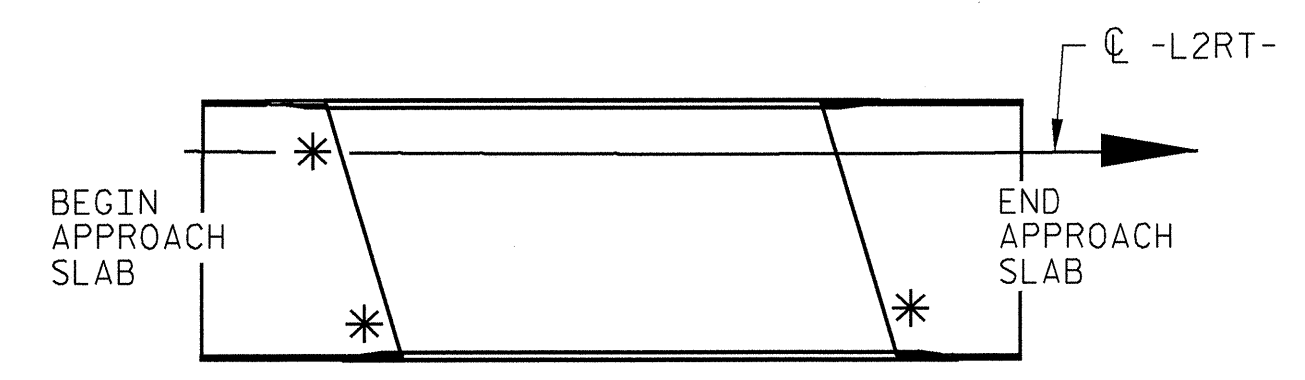
THE 32mm Ø HOLES SHALL BE FORMED OR DRILLED WITH A CORE BIT. IMPACT TOOLS WILL NOT BE PERMITTED. ANY CONCRETE DAMAGED BY THIS WORK SHALL BE REPAIRED TO THE SATISFACTION OF THE ENGINEER.



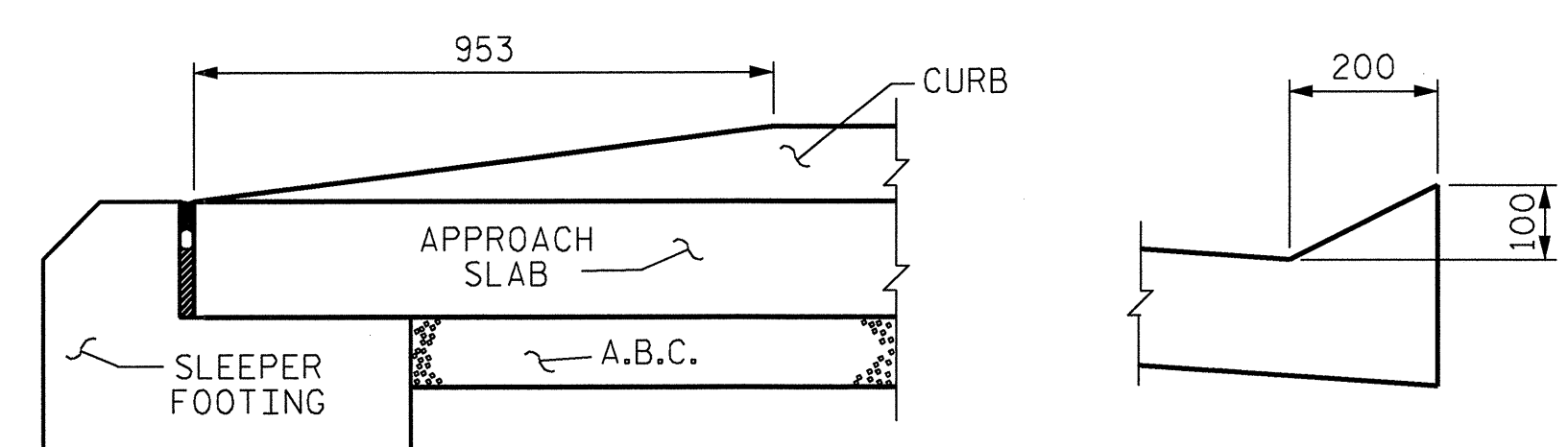
PLAN
SECTION E-E
GUARDRAIL ANCHOR ASSEMBLY DETAILS



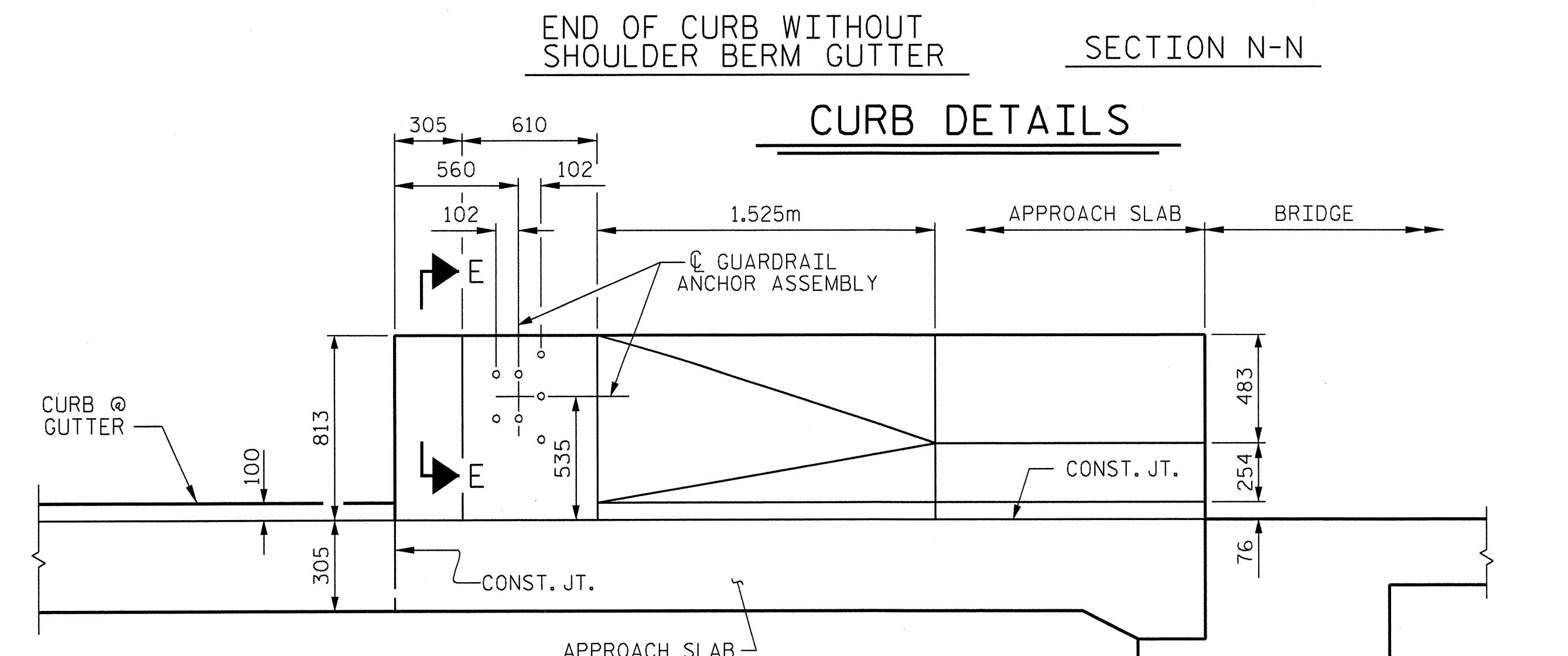
SECTION K-K
SECTION L-L



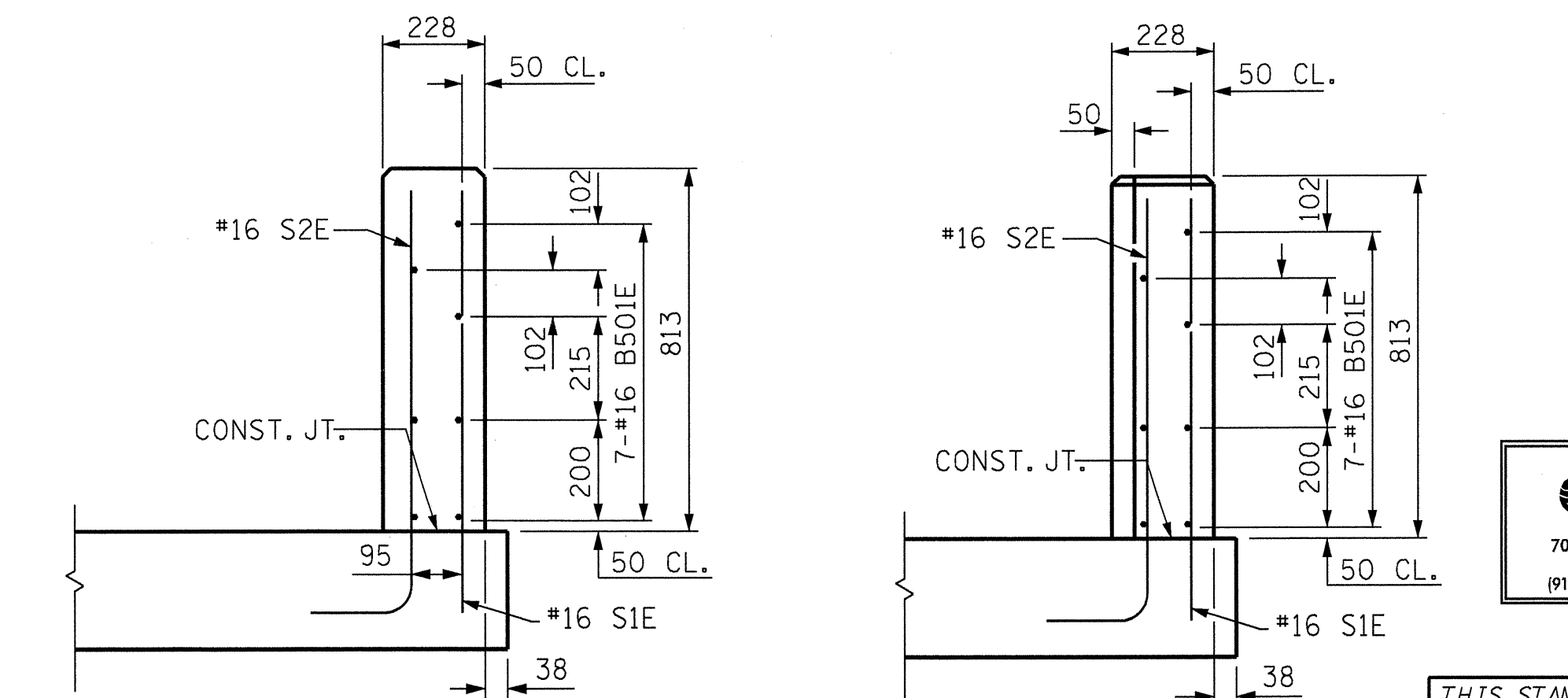
SKETCH SHOWING POINTS OF ATTACHMENT
* INDICATES POINTS OF ATTACHMENT



END OF CURB WITHOUT SHOULDER BERM GUTTER
SECTION N-N



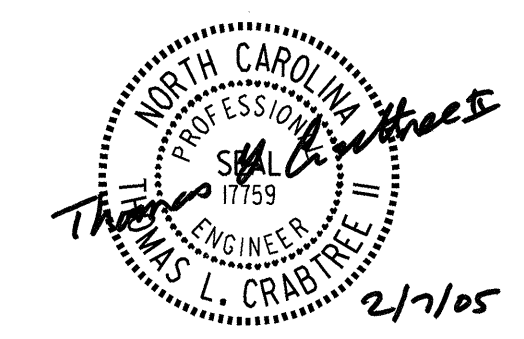
ELEVATION



SECTION M-M
END VIEW



THIS STANDARD DRAWING REVIEWED AND ADAPTED FOR USE AT THE REFERENCED LOCATION BY THE UNDERSIGNED:



R.N. RTB1-28

PROJECT NO. R-2552C
JOHNSTON COUNTY
STATION: 122+14.832 -L2RT-

SHEET 5 OF 5

STATE OF NORTH CAROLINA
DEPARTMENT OF TRANSPORTATION
RALEIGH
STANDARD
BRIDGE APPROACH SLAB
DETAILS FOR FLEXIBLE
PAVEMENT WITH BARRIER RAIL
(RIGHT BRIDGE)

REVISIONS						SHEET NO.	
NO.	BY:	DATE:	NO.	BY:	DATE:	TOTAL SHEETS	
1			3			5-321	
2			4			431	

STD. No. BAS6SM

DATE: 2/4/2005
TIME: 13:35:32

DATE: 2/4/2005
TIME: 13:35:31
USER: thmlf@nc
DGN: K:\2004\2004\Bridges\CADD\0455R1.dgn

ASSEMBLED BY :	LOFTON	DATE :	12/04
CHECKED BY :	CJW	DATE :	01/05
DRAWN BY :	RWW 8/01	REV. 5/7/03R	RWW/JTE
CHECKED BY :	LES 8/01		