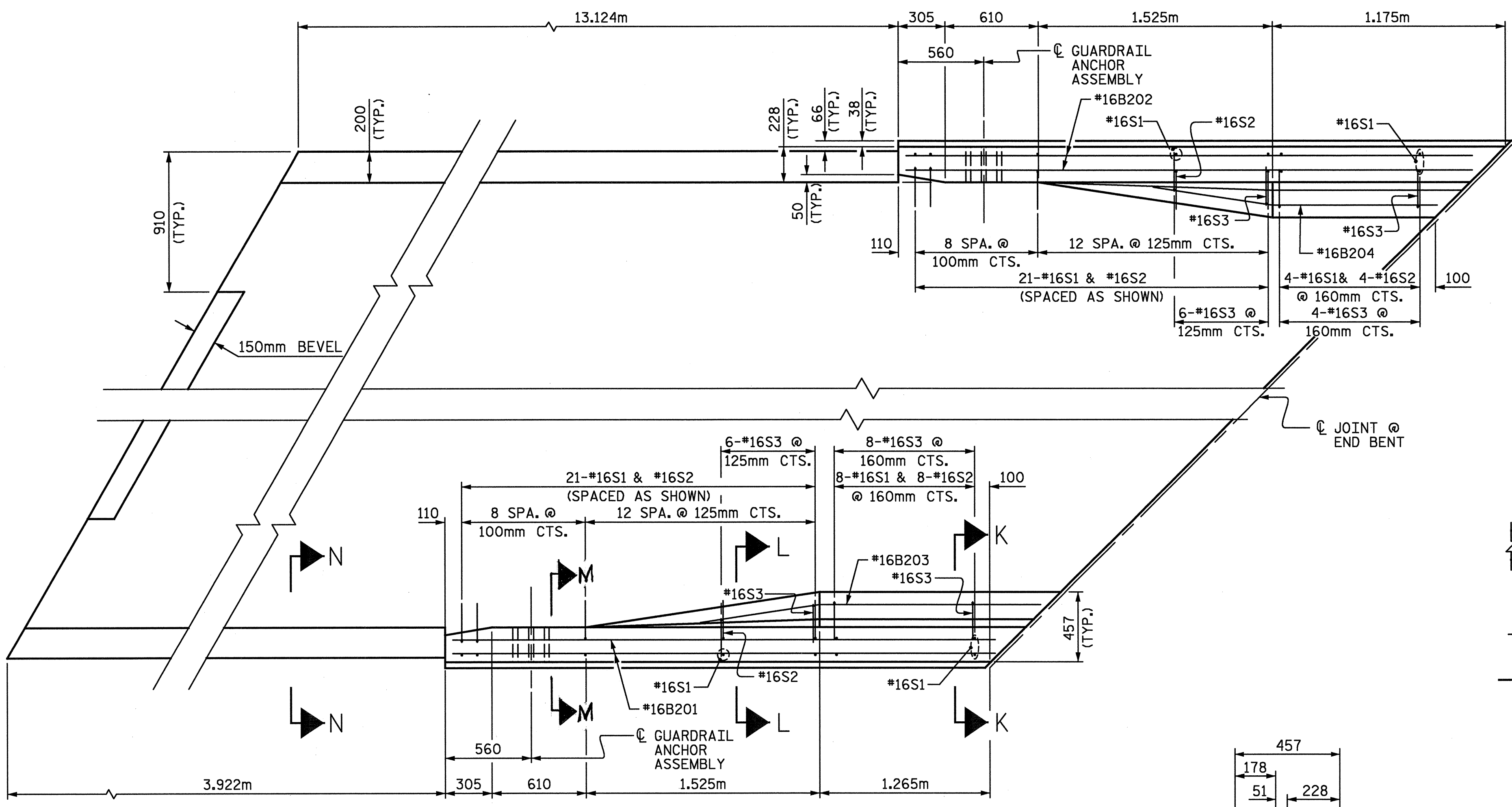
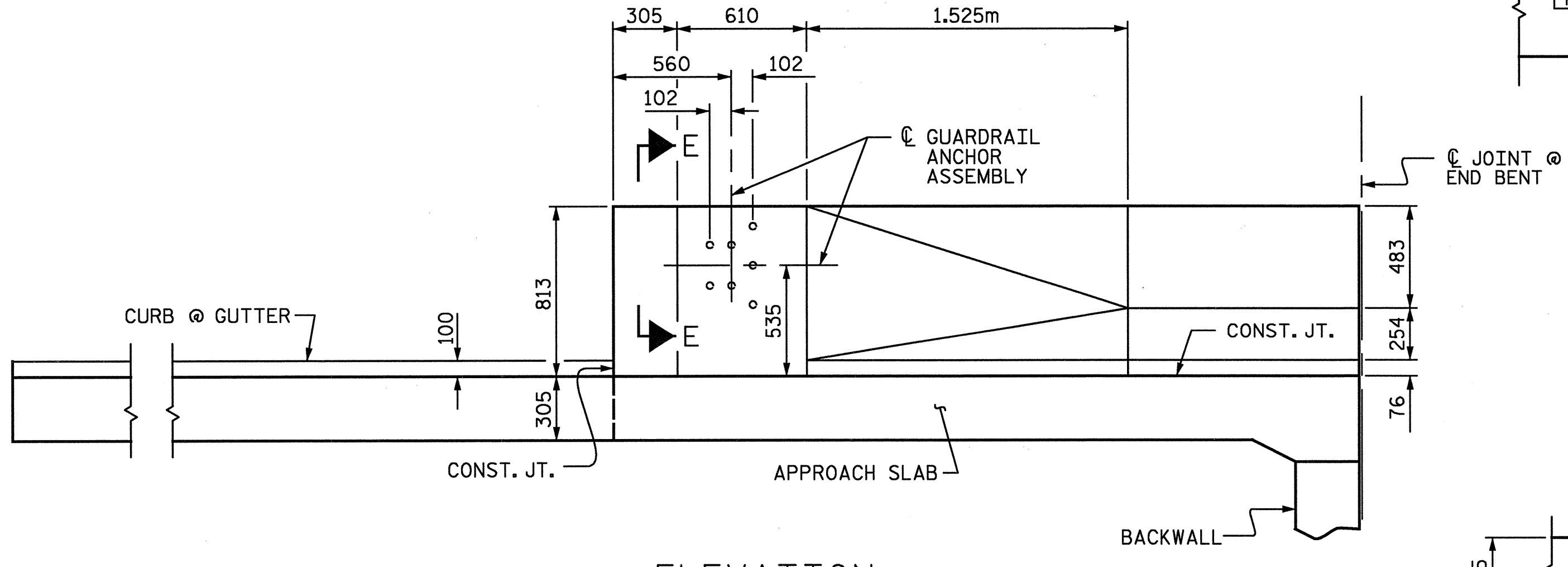


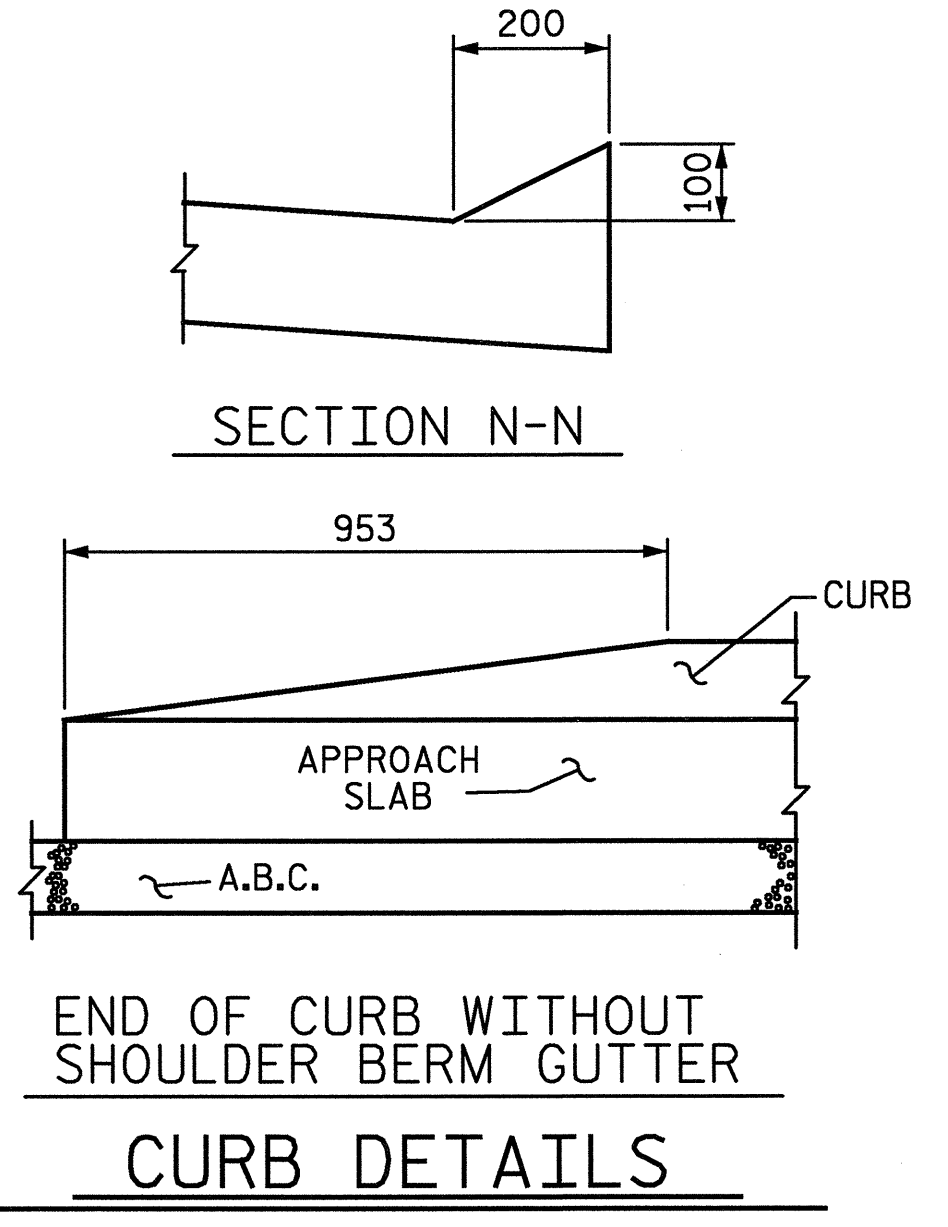
02/17/2005 05:31:08 PM n:\proj\3109-100\station\struct\final\3109-100_bas6sm.dgn



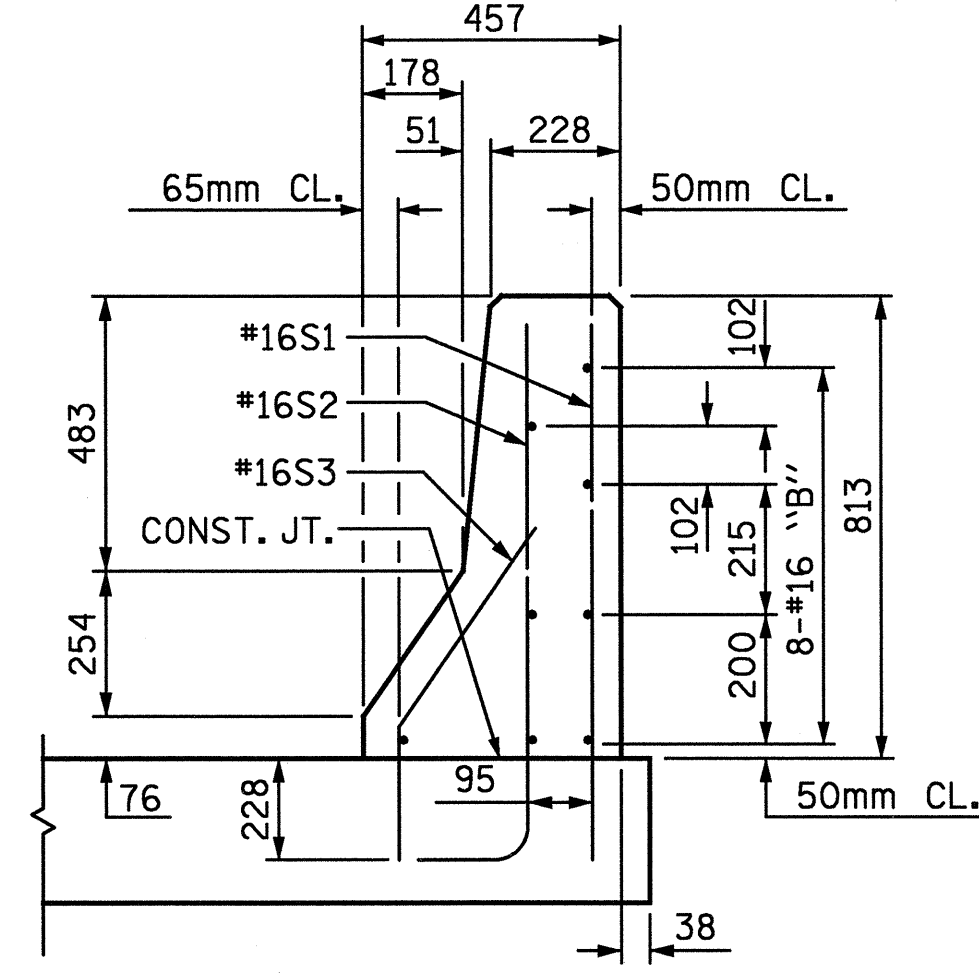
PLAN
 BEGIN APPROACH SLAB SHOWN,
 END APPROACH SLAB SIMILAR



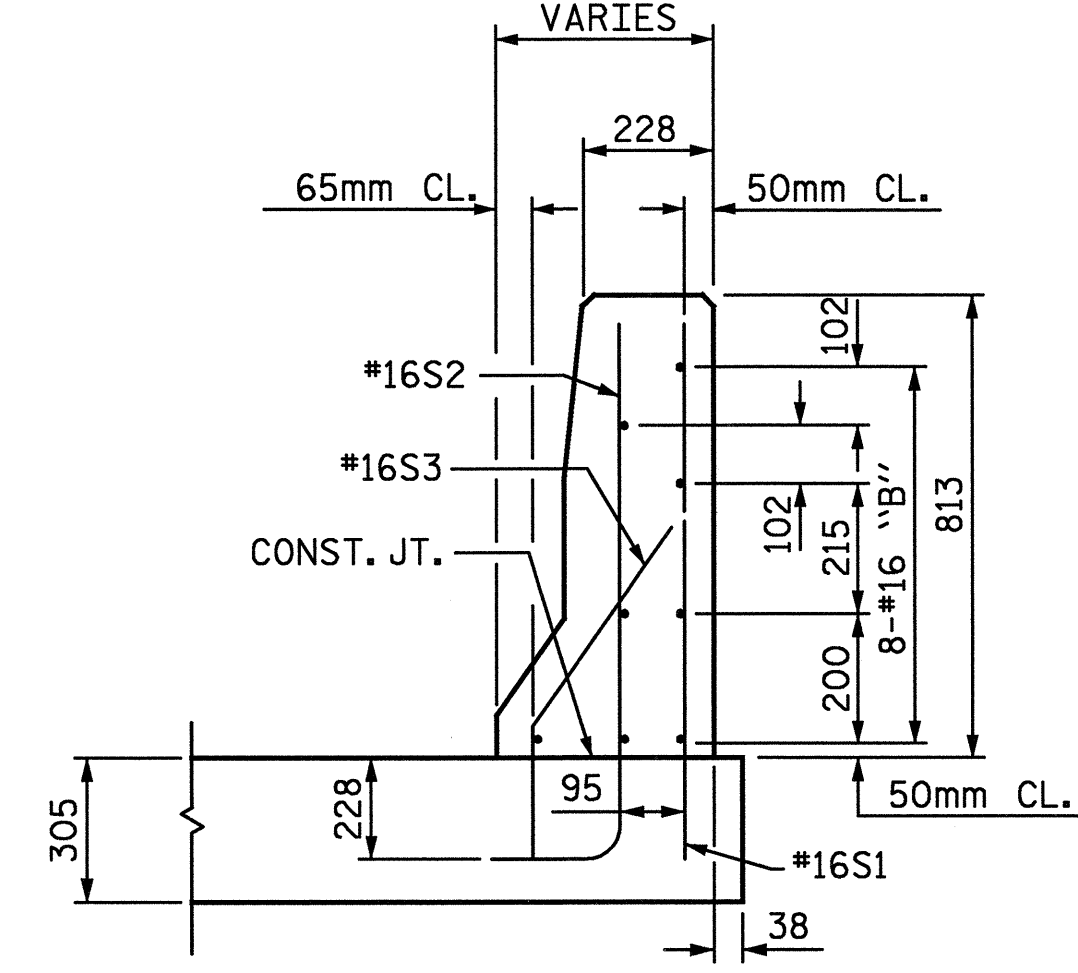
ELEVATION



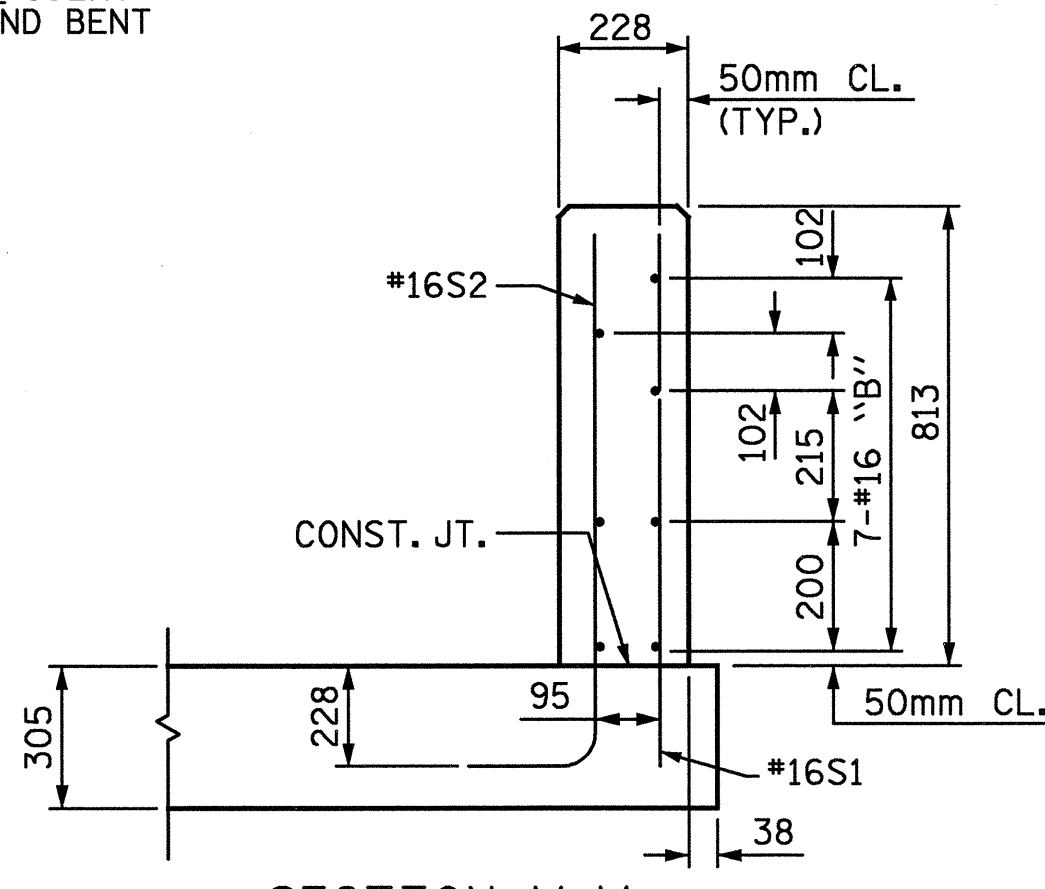
SECTION N-N
CURB DETAILS



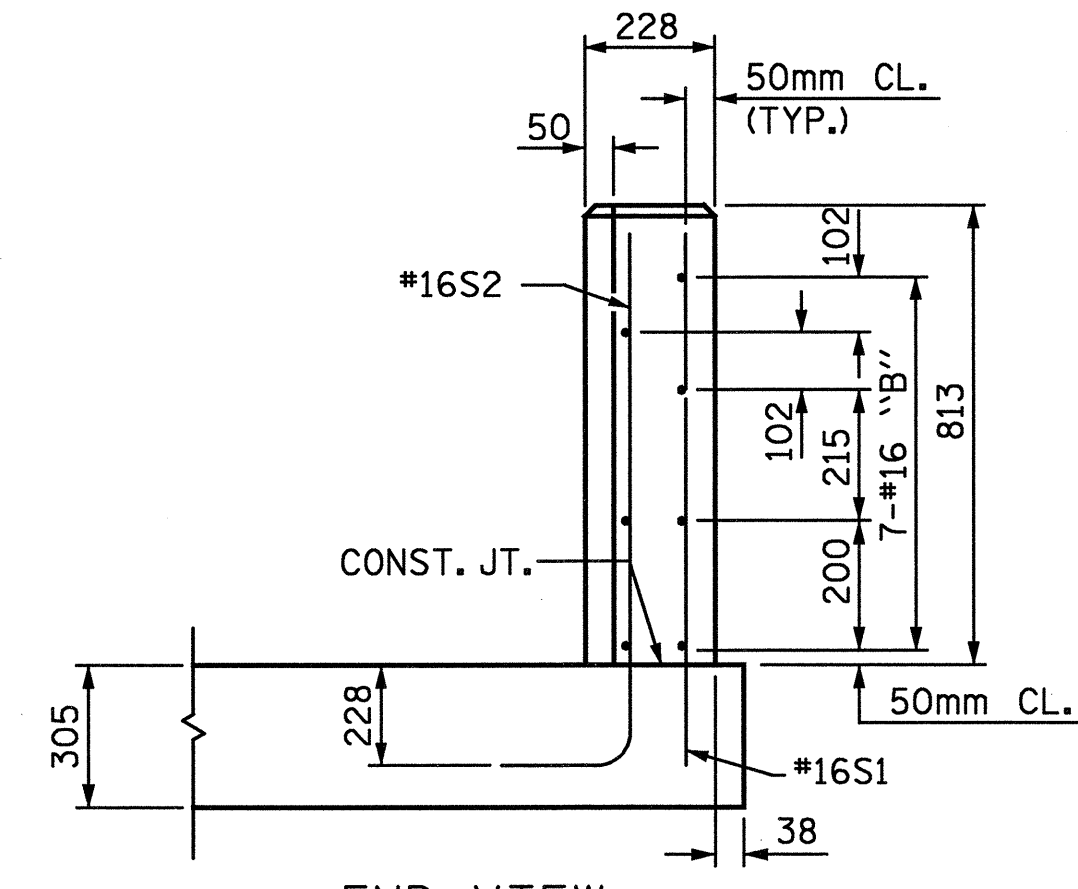
SECTION K-K



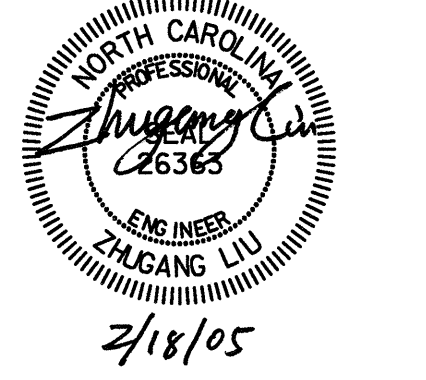
SECTION L-L



SECTION M-M



END VIEW



PROJECT NO. R-2552C
 JOHNSTON COUNTY
 STATION: POT 148+08.446 -L2-
POT 23+96.446 -Y4-
 SHEET 2 OF 6

STATE OF NORTH CAROLINA
 DEPARTMENT OF TRANSPORTATION
 RALEIGH
 BRIDGE APPROACH SLAB
 DETAILS FOR FLEXIBLE
 PAVEMENT WITH BARRIER RAIL
 -LEFT LANE-

REVISIONS						SHEET NO.	
NO.	BY:	DATE:	NO.	BY:	DATE:	TOTAL SHEETS	
1			3			5-3-3	
2			4			4/31	

ASSEMBLED BY : LGH	DATE : 10-04
CHECKED BY : TVR	DATE : 12-04
DRAWN BY : RWW 8/01	REV. 5/7/03R RWW/JTE
CHECKED BY : LES 8/01	

D-1749.32

STD. NO. BAS6SM