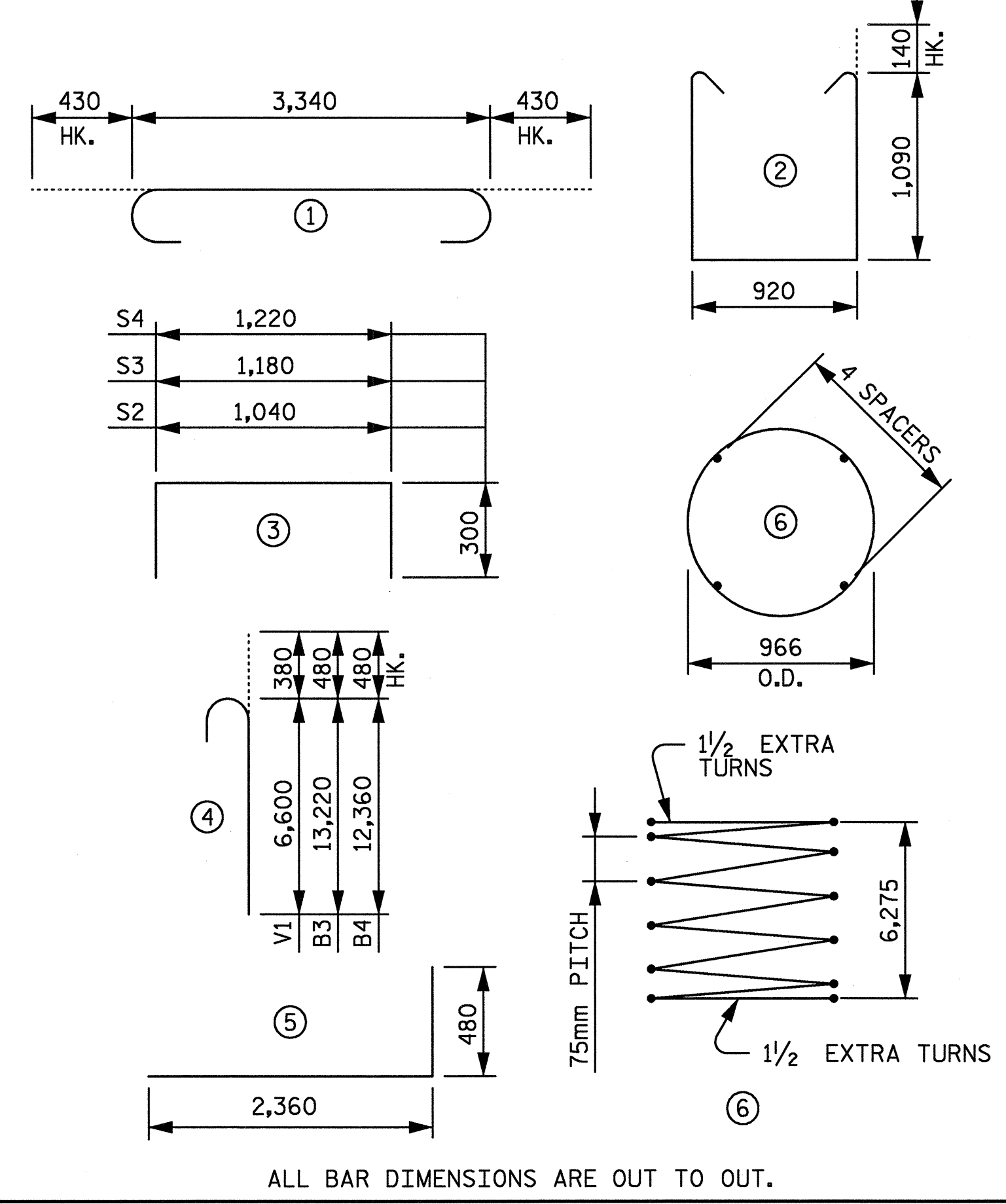


**NOTES :**  
 STIRRUPS IN CAP MAY BE SHIFTED SLIGHTLY AS NECESSARY TO CLEAR ANCHOR BOLTS.  
 HOOKS ON V1 BARS MAY BE TURNED AS NECESSARY FOR PLACING REINFORCING STEEL.  
 PILES SHALL BE DRIVEN TO A MINIMUM BEARING CAPACITY OF 530 KN.  
 FOR PILE SPLICE DETAIL, SEE "END BENT 1", SHEET 3 OF 3.  
 WHEN DRIVING PILES, THE MAXIMUM BLOW COUNT SHALL NOT BE EXCEEDED.  
 FOR OTHER NOTES, SEE "GENERAL DRAWING LOCATION SKETCH, GENERAL NOTES AND TOTAL BILL OF MATERIALS" SHEET.

**BAR TYPES**

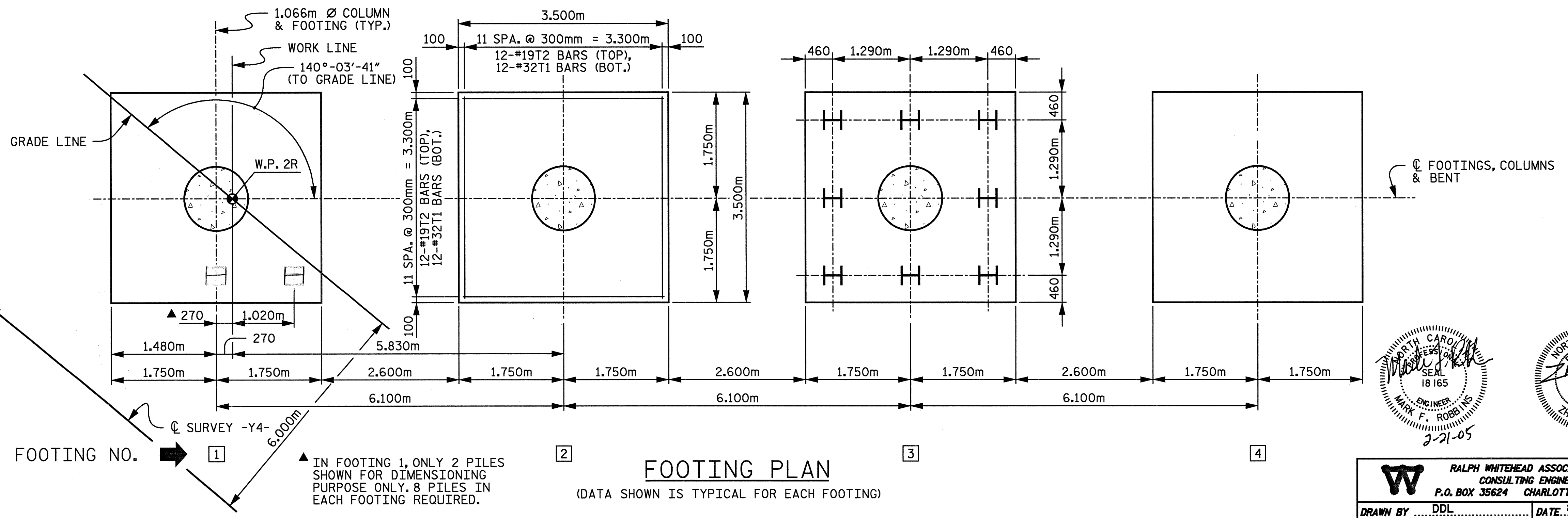


BILL OF REINFORCING					
MARK	NO.	SIZE	TYPE	LENGTH (mm)	MASS (kg)
B1	8	#36	STR.	13,100	829
B2	8	#36	STR.	11,300	715
B3	8	#36	④	13,700	867
B4	8	#36	④	12,840	812
B5	12	#16	STR.	11,160	208
M1	64	#29	⑤	2,840	920
S1	130	#16	②	3,380	682
S2	10	#13	③	1,640	16
S3	8	#13	③	1,780	14
S4	54	#13	③	1,820	98
T1	96	#32	①	4,200	2,582
T2	96	#19	STR.	3,340	717
V1	64	#29	④	6,980	2,260
SP-1	4	△	⑥	259,640	1,032

ALL BAR DIMENSIONS ARE OUT TO OUT.

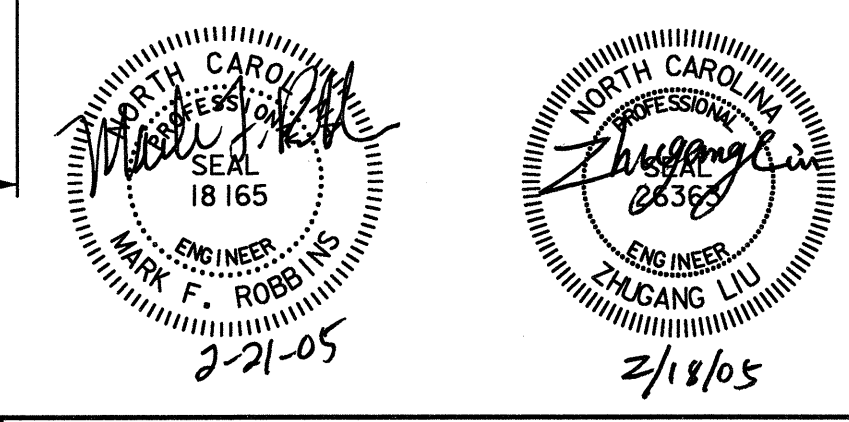
△ THE SP-1 SPIRAL REINFORCING STEEL SHALL BE W20 OR D-20 COLD DRAWN WIRE OR #13 PLAIN OR DEFORMED BAR.

QUANTITIES	
REINFORCING STEEL	10,720 kg
SPIRAL COLUMN REINFORCING STEEL	1,032 kg
CLASS A CONCRETE	POUR 1: 58.8 CU. METERS POUR 2: 19.3 CU. METERS POUR 3: 34.1 CU. METERS TOTAL : 112.2 CU. METERS
HP 310 X 79 STEEL PILES	32 (NO.) 362.6 METERS



IN FOOTING 1, ONLY 2 PILES SHOWN FOR DIMENSIONING PURPOSE ONLY, 8 PILES IN EACH FOOTING REQUIRED.  
 (DATA SHOWN IS TYPICAL FOR EACH FOOTING)

PROJECT No R-2552C  
 JOHNSTON COUNTY  
 STATION: POT 148+08.446 -L2-  
 POT 23+96.466 -Y4-



**RALPH WHITEHEAD ASSOCIATES, INC.**  
 CONSULTING ENGINEERS  
 P.O. BOX 35624 CHARLOTTE, N.C. 28235  
 DRAWN BY DDL DATE: 8-04 DWG. NO.  
 CHECKED BY JTG DATE: 1-05 D-1750.27

REVISIONS	
NO.	DATE
1	
2	

STATE OF NORTH CAROLINA  
 DEPARTMENT OF TRANSPORTATION  
 RALEIGH  
 BENT 1  
 -RIGHT LANE-

SHEET NO. 5-284  
 TOTAL SHEETS 431

02/17/2005 04:55:45 PM n:\proj\3109-200\station\struct\final\3109-200\_bent1\_lb.dgn david.lowery