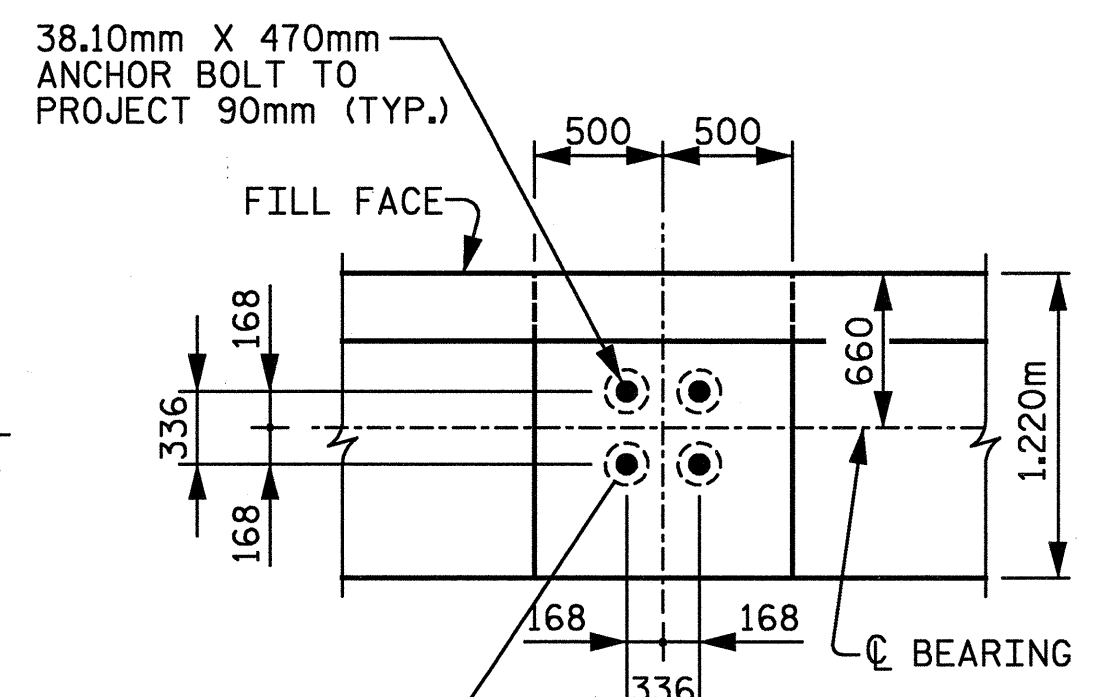
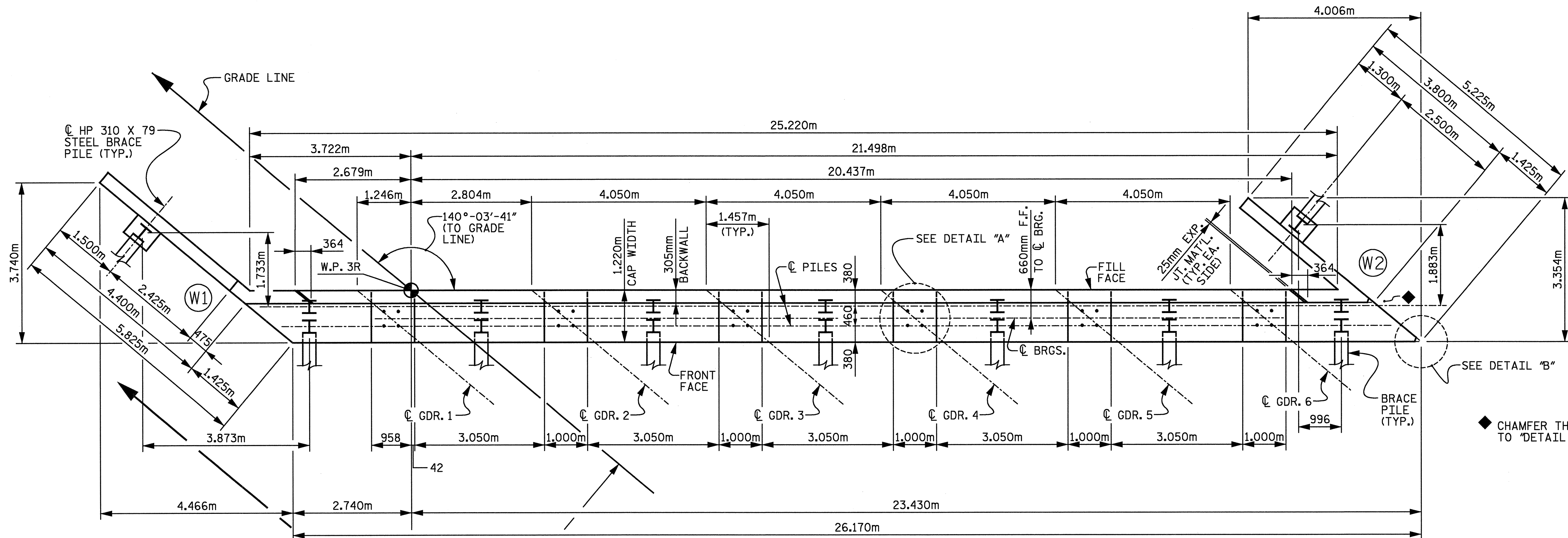
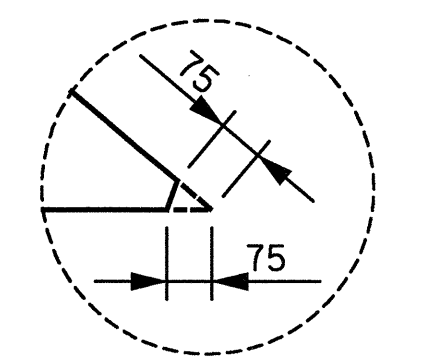


**NOTE:**  
SEE SHEET 3 OF 3 FOR SECTION A-A AND NOTES.



38.10mm X 470mm ANCHOR BOLT TO PROJECT 90mm (TYP.)  
102mm Ø PIPE INSERT FOR 38.10mm Ø ANCHOR BOLT (TYP.)

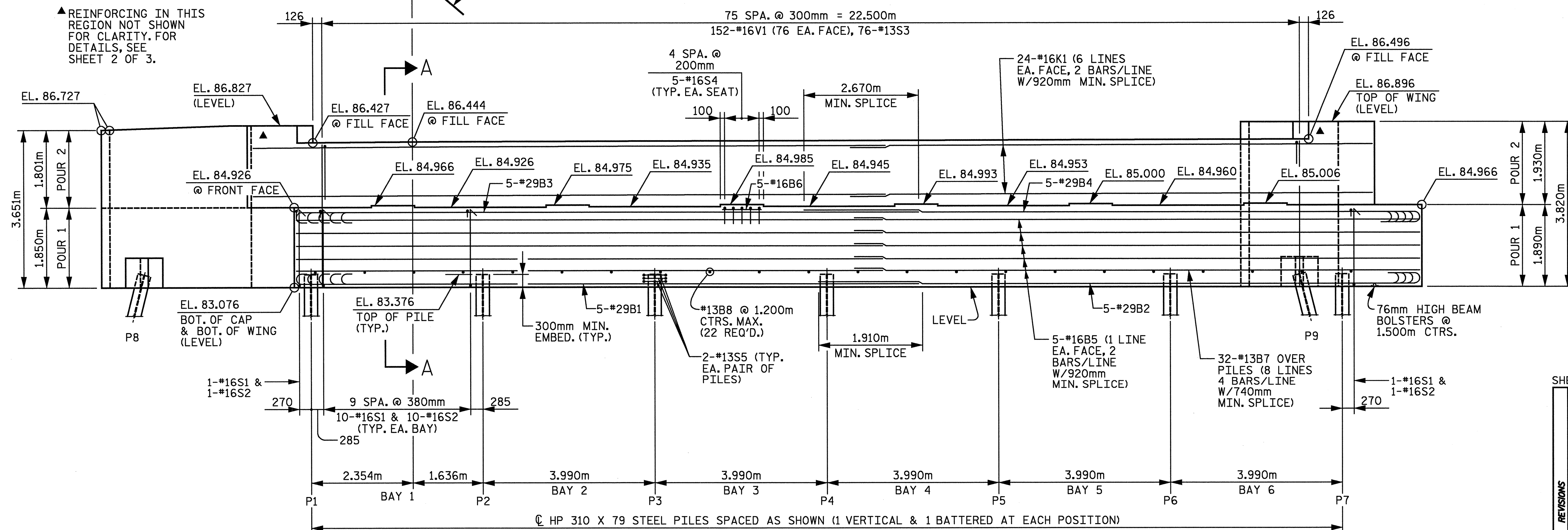
**DETAIL "A"**



**DETAIL "B"**

◆ CHAMFER THIS CORNER SIMILAR TO "DETAIL 'B'"

**PLAN**



**ELEVATION**

(LOOKING IN DIRECTION OF STATIONING)  
(HP 310 X 79 STEEL BRACE PILES IN WING WALLS NOT SHOWN FOR CLARITY)



PROJECT No R-252C  
JOHNSTON COUNTY  
STATION: POT 148+08.446 -L2-  
POT 23+96.446 -Y4-

SHEET 1 OF 3

REVISIONS		DATE	
NO.	BY	NO.	DATE
1		3	
2		4	

STATE OF NORTH CAROLINA  
DEPARTMENT OF TRANSPORTATION  
RALEIGH

**END BENT 2**  
**-RIGHT LANE-**

**RALPH WHITEHEAD ASSOCIATES, INC.**  
CONSULTING ENGINEERS  
P.O. BOX 35624 CHARLOTTE, N.C. 28235

DRAWN BY: WBS, LGH DATE: 1-05 DWG. NO.:  
CHECKED BY: ZAL DATE: 1-05 D-1750.28

02/17/2005 04:55:45 PM n:\proj\3109-200\station\struct\find\3109-200\_end\_bent\_2a.dgn