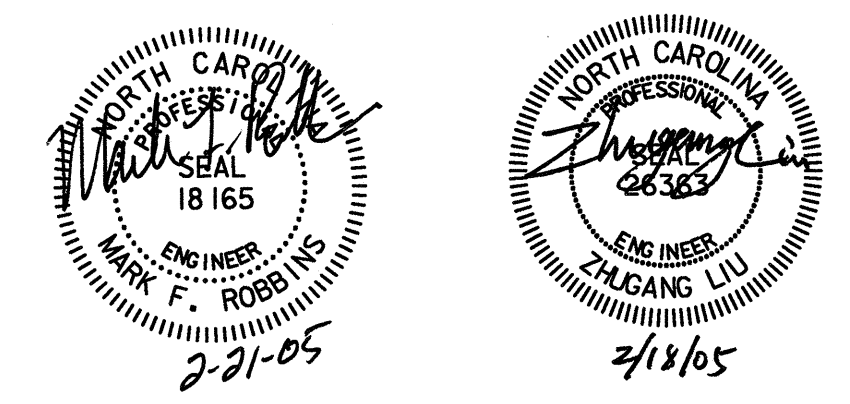
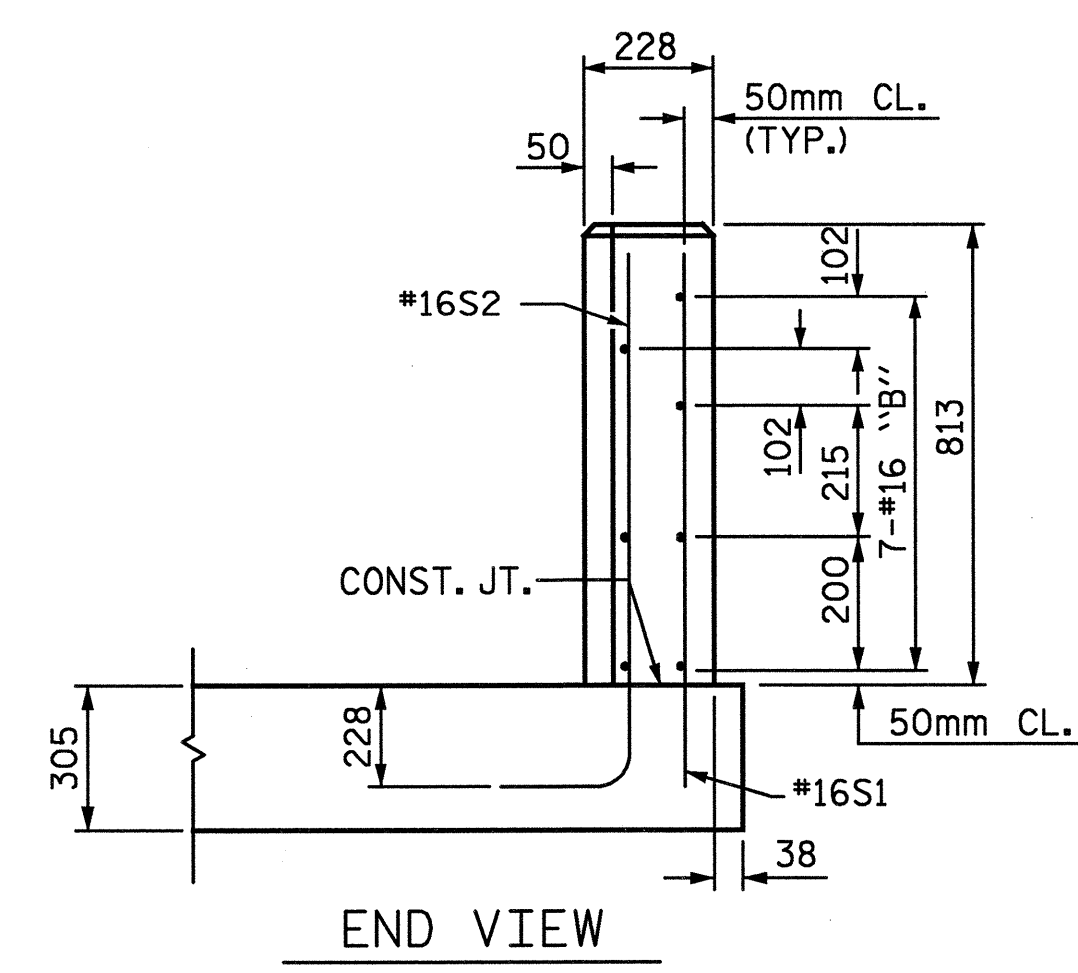
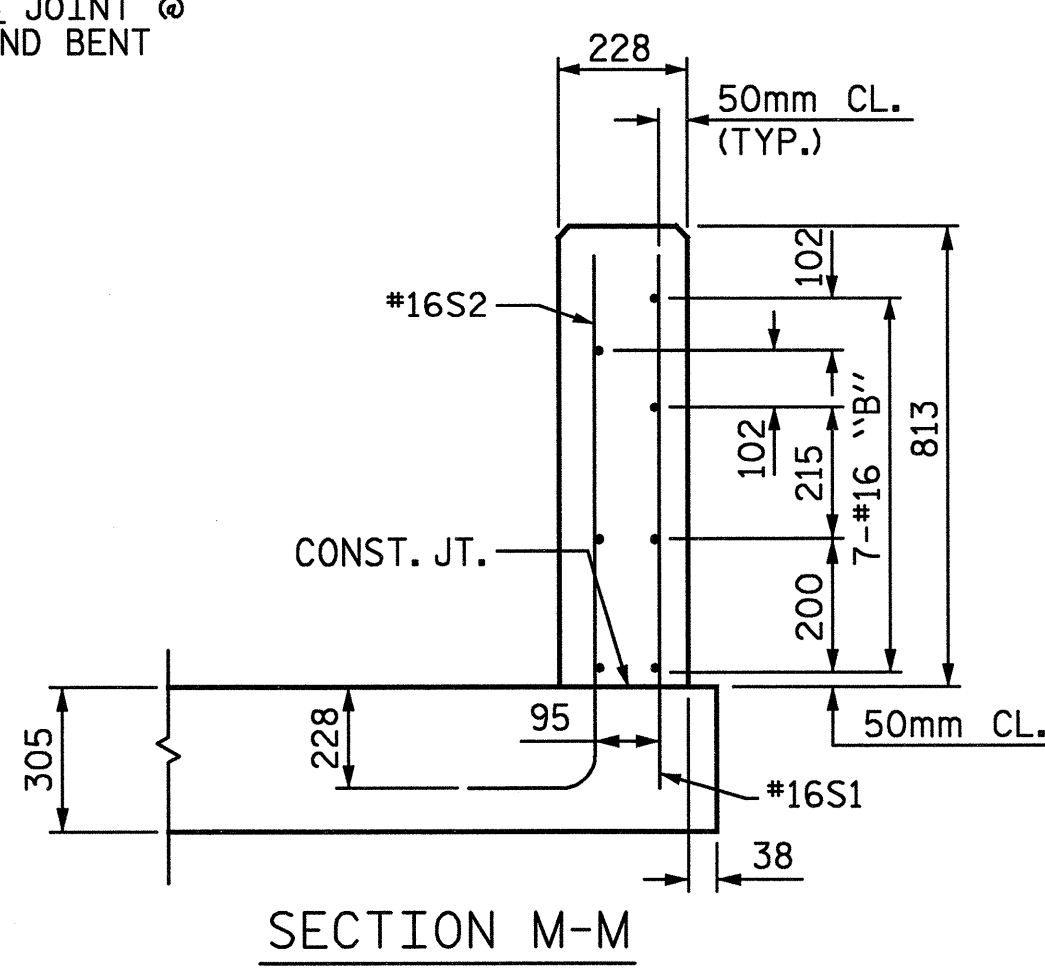
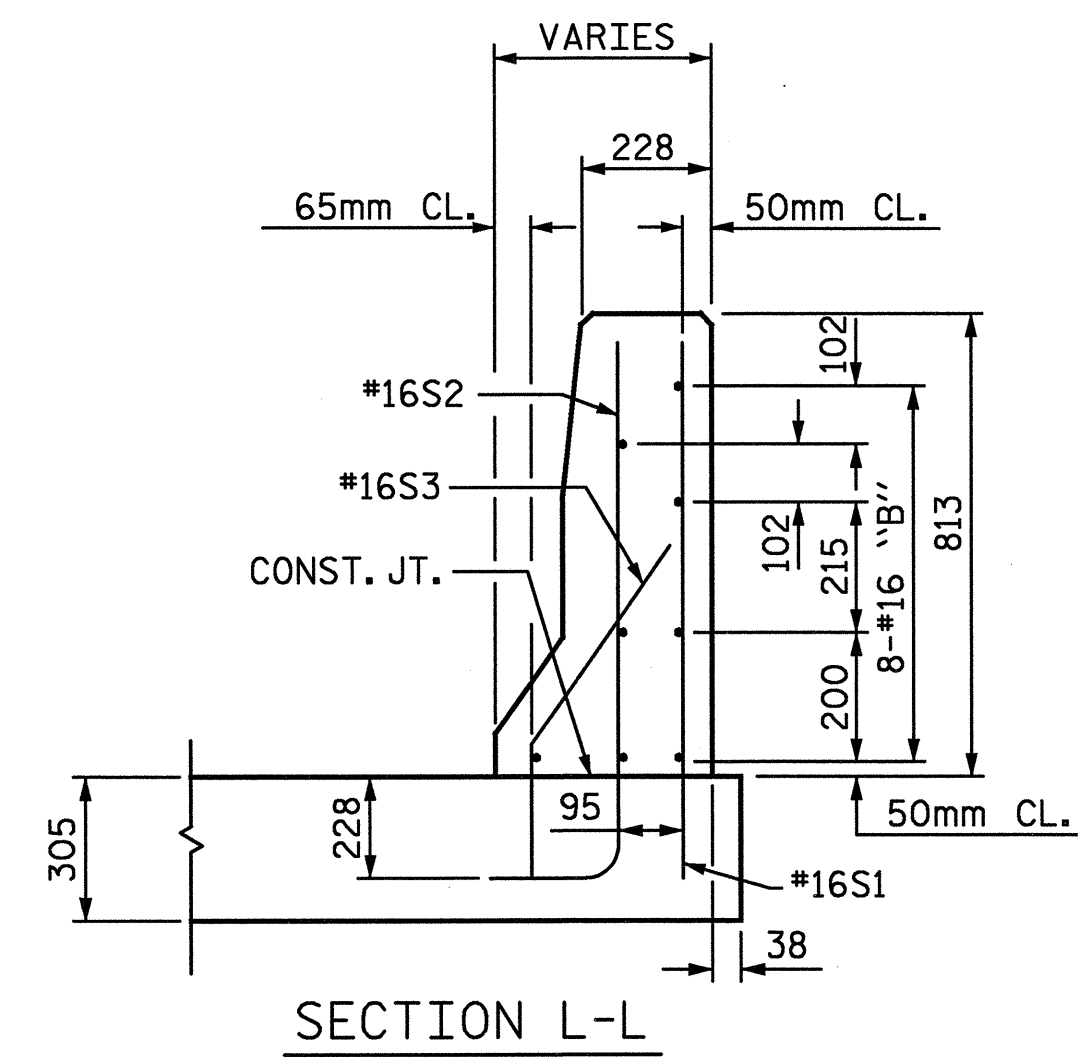
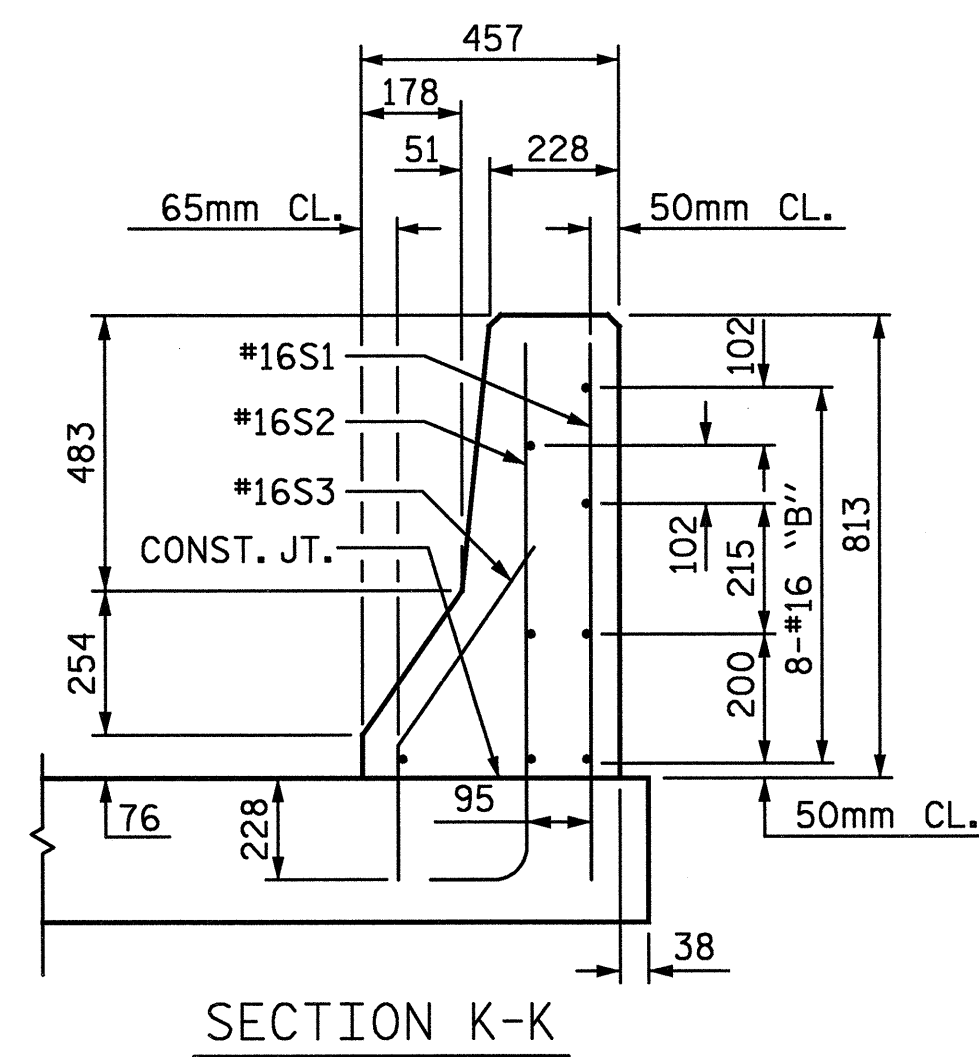
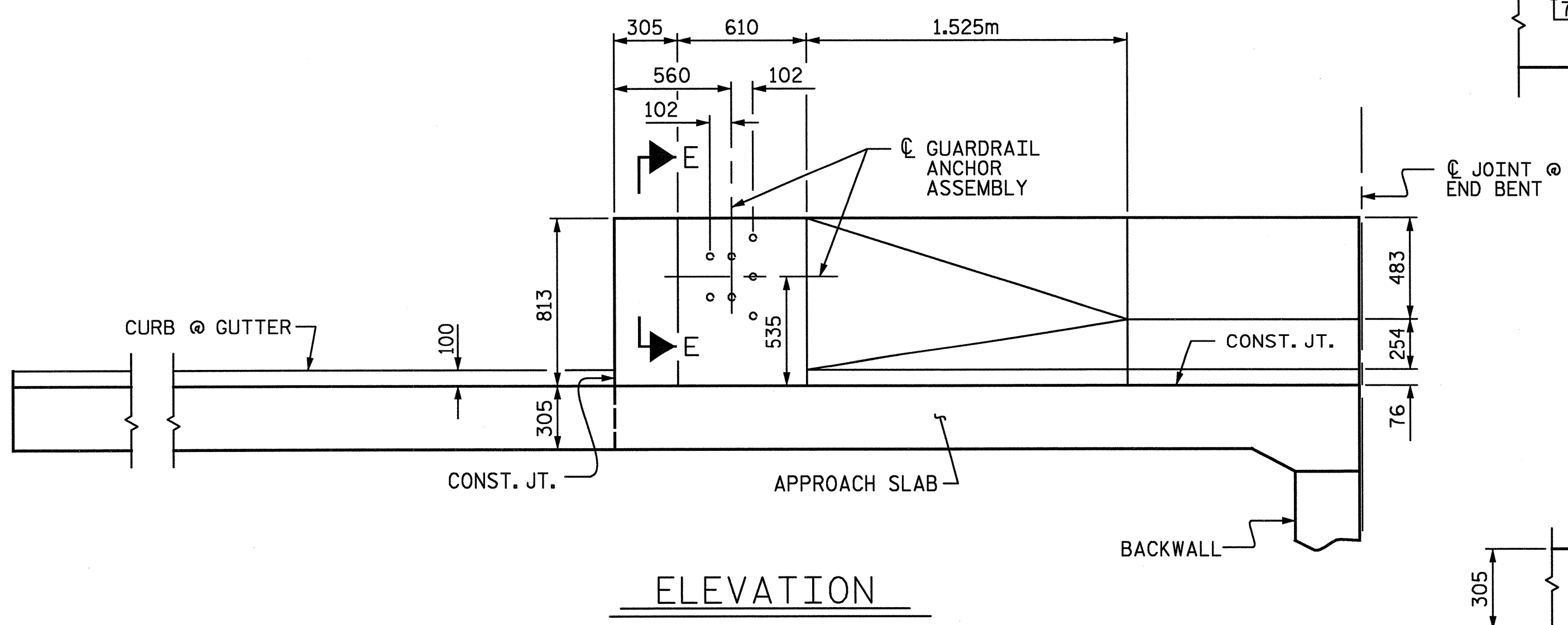
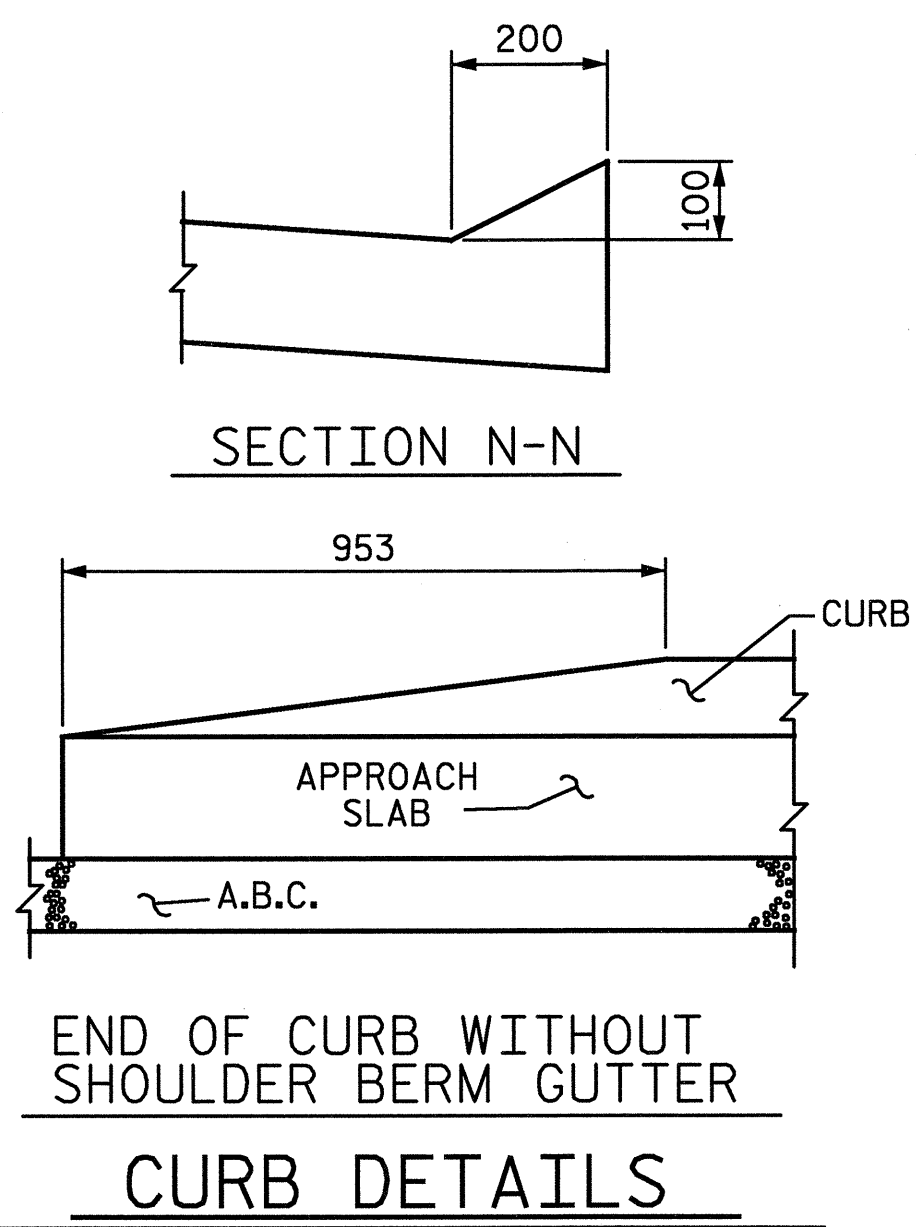
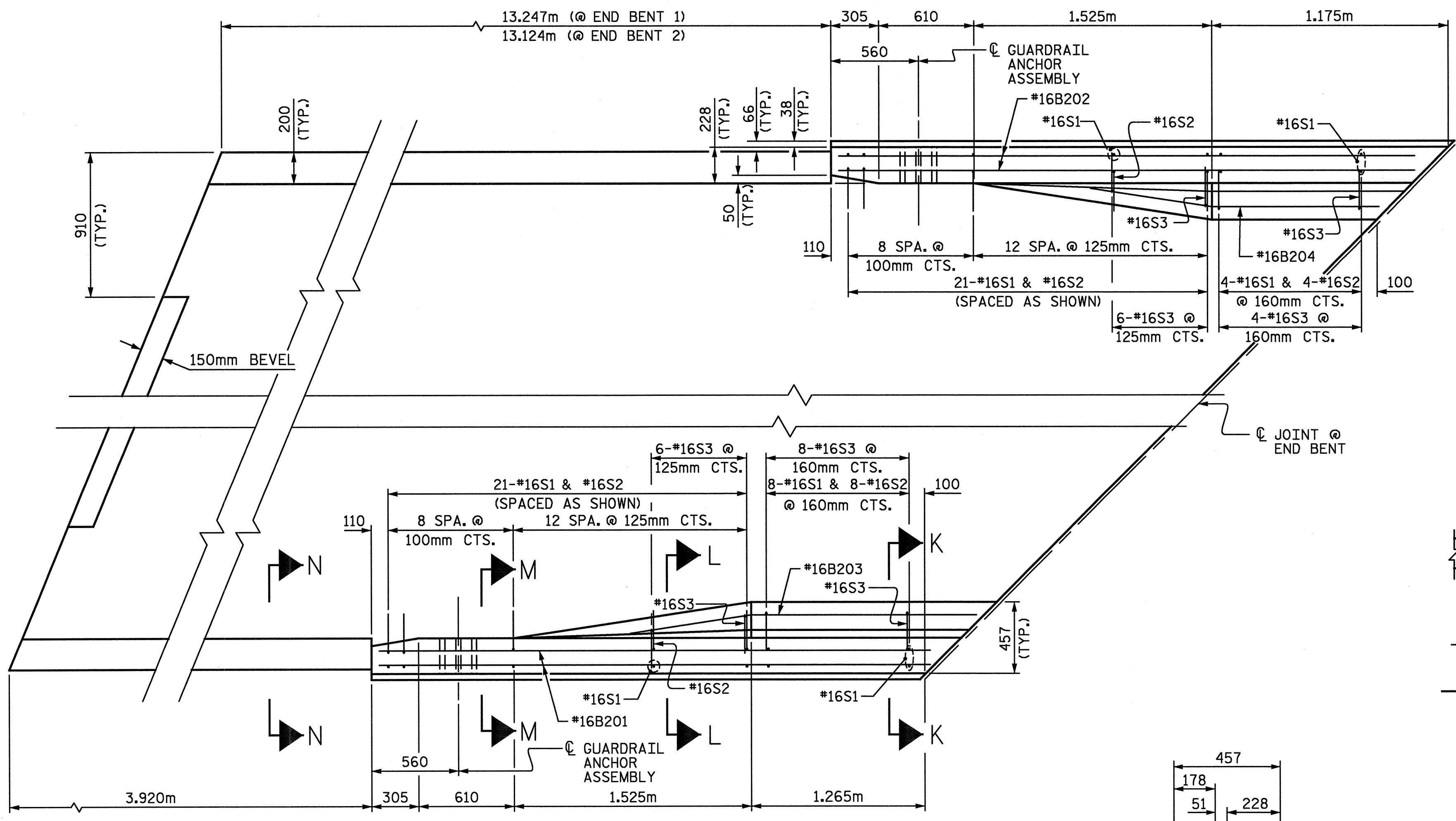


02/17/2005 04:55:42 PM n:\proj\3109-200\ustation\struct\Final\3109-200\_bas6sm.dgn



PROJECT NO. R-2552C  
JOHNSTON COUNTY  
 STATION: POT 148+08.446 -L2-  
POT 23+96.446 -Y4-  
 SHEET 2 OF 7

STATE OF NORTH CAROLINA  
 DEPARTMENT OF TRANSPORTATION  
 RALEIGH  
 BRIDGE APPROACH SLAB  
 DETAILS FOR FLEXIBLE  
 PAVEMENT WITH BARRIER RAIL  
 -RIGHT LANE-

REVISIONS						SHEET NO.	
NO.	BY:	DATE:	NO.	BY:	DATE:	TOTAL SHEETS	
1			3			5-33	
2			4			43	

ASSEMBLED BY : LGH	DATE : 1-05
CHECKED BY : JTG	DATE : 1-05
DRAWN BY : RWW 8/01	REV. 5/7/03R RWW/JTE
CHECKED BY : LES 8/01	

D-1750.33

STD. NO. BAS6SM