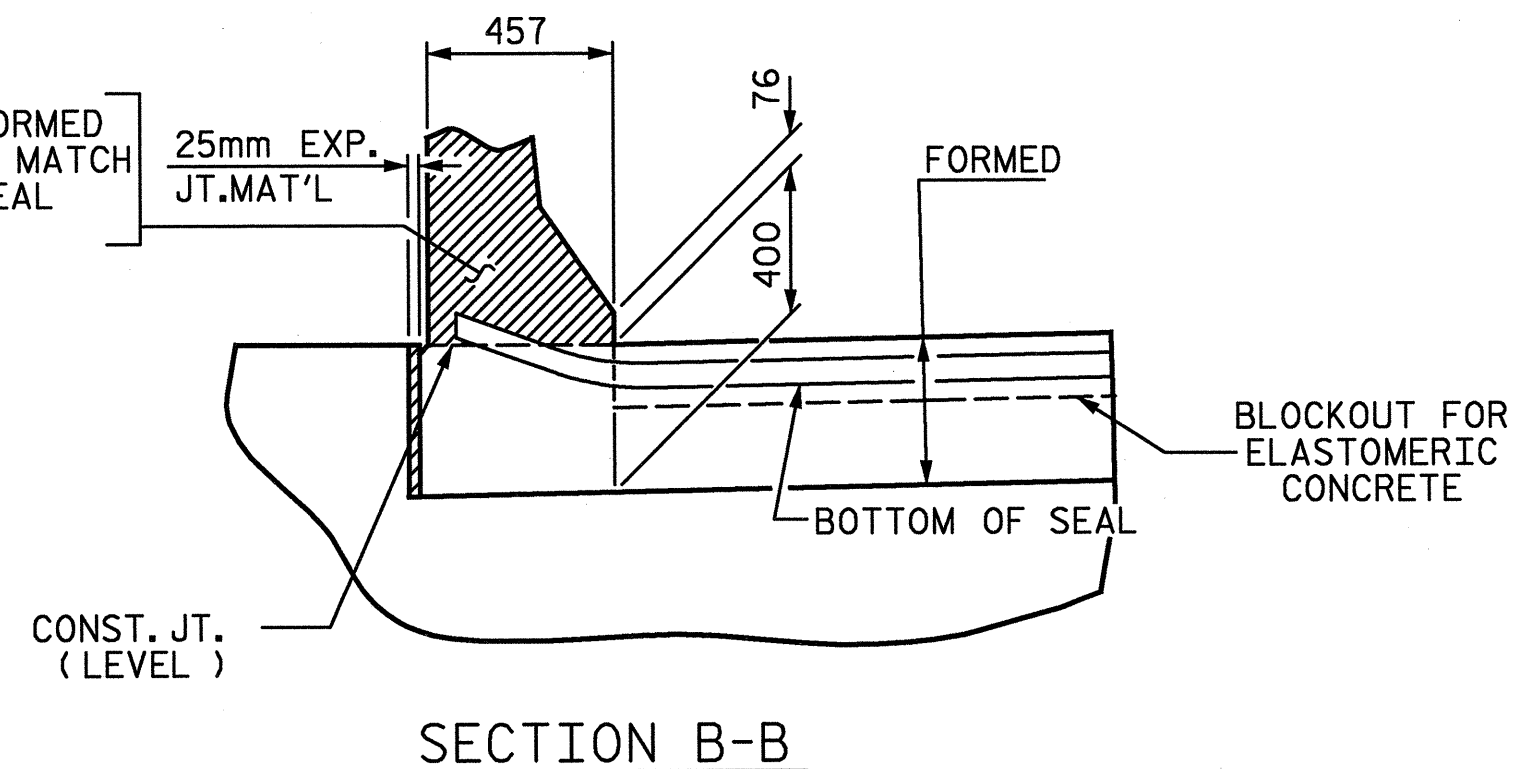
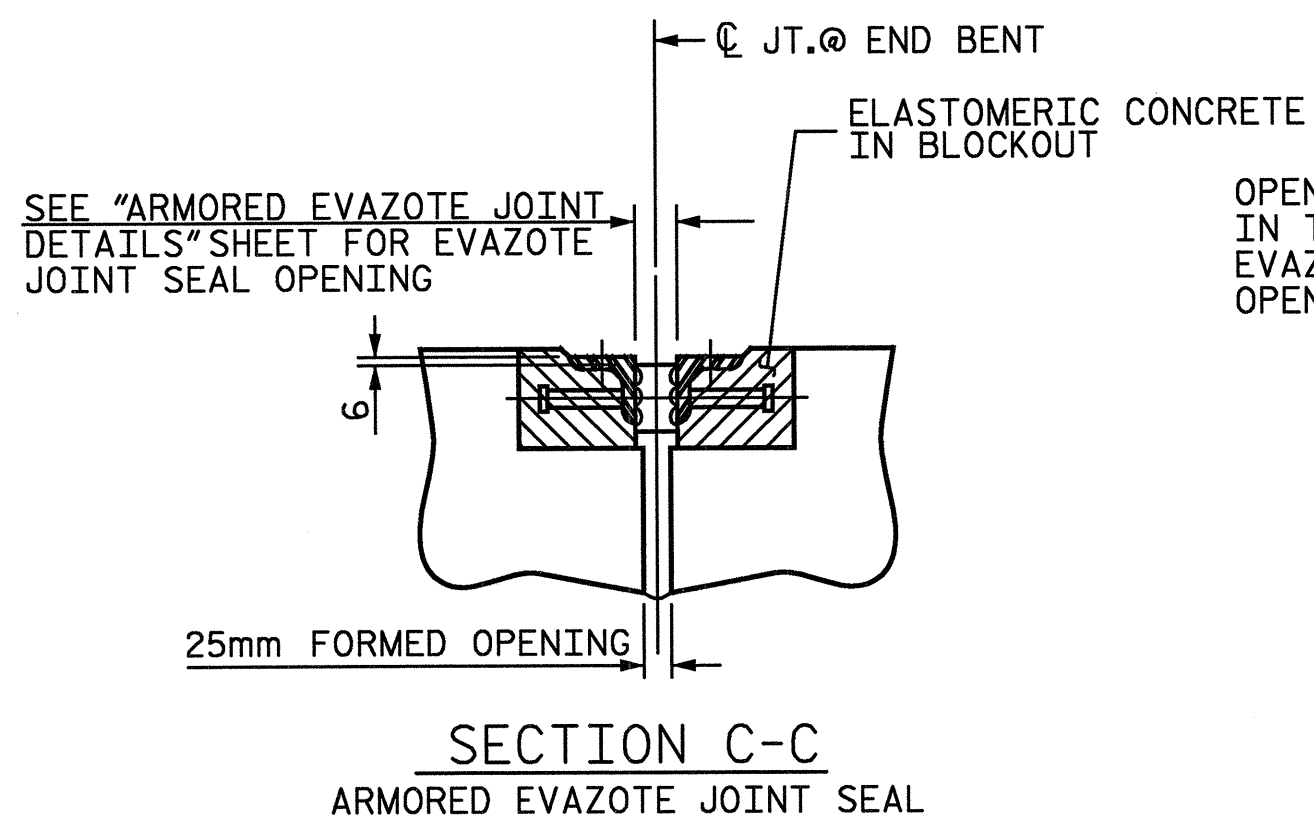
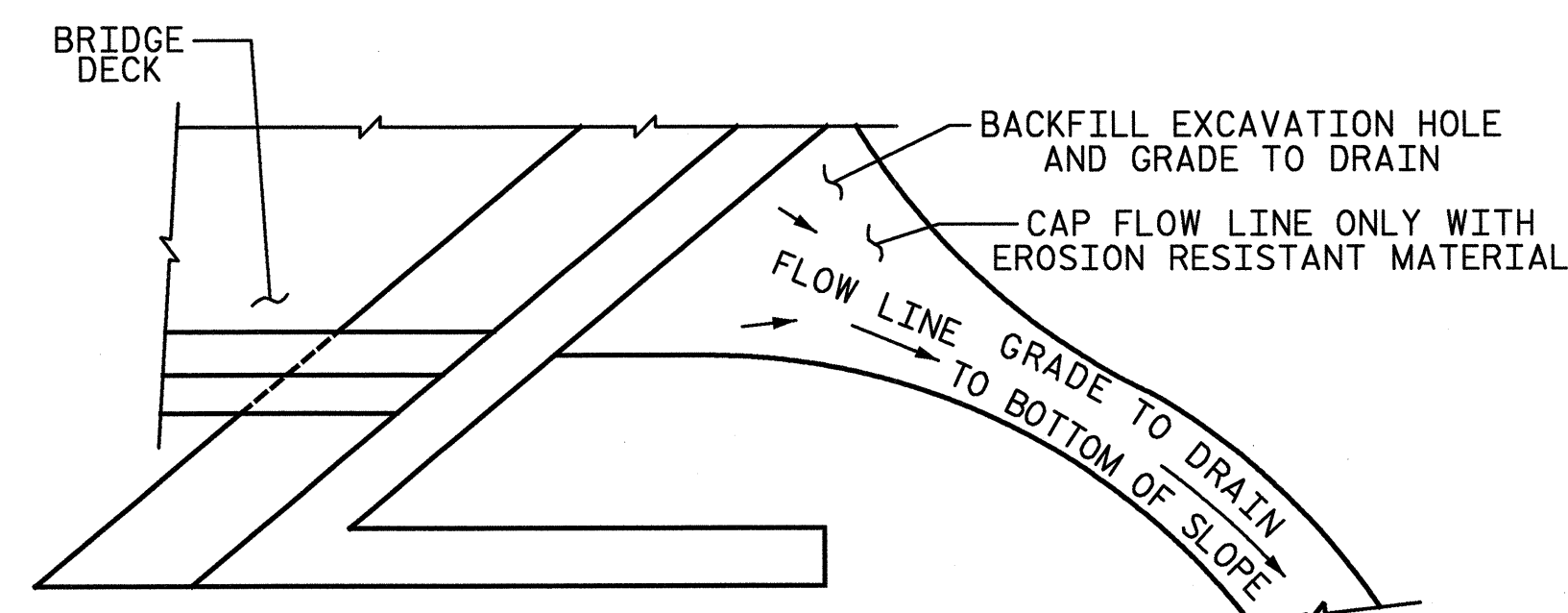


TEMPORARY BERM AND SLOPE DRAIN DETAILS



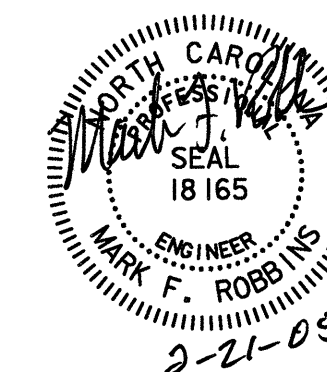
JOINT SEAL DETAILS @ END BENT



PROJECT NO. R-2552C
 JOHNSTON COUNTY
 STATION: POT 148+08.446 -L2-
 POT 23+96.446 -Y4-
 SHEET 4 OF 7

STATE OF NORTH CAROLINA
 DEPARTMENT OF TRANSPORTATION
 RALEIGH

BRIDGE APPROACH
 SLAB DETAILS
 -RIGHT LANE-



REVISIONS						SHEET NO.
NO.	BY	DATE	NO.	BY	DATE	TOTAL SHEETS
1			3			4/31
2			4			4/31

D-1750.35

STD. NO. BASIOSM

02/17/2005 04:55:41 PM n:\proj\3109-200\ustation\struct\final\3109-200_basioism.dgn

ASSEMBLED BY : LGH	DATE : 1-05
CHECKED BY : JTG	DATE : 1-05
DRAWN BY : FCJ 11/88	REV. 8/16/99 RAL/LES
CHECKED BY : ARB 11/88	REV. 10/17/00 RWW/LES
	REV. 5/17/03 RWW/JTE