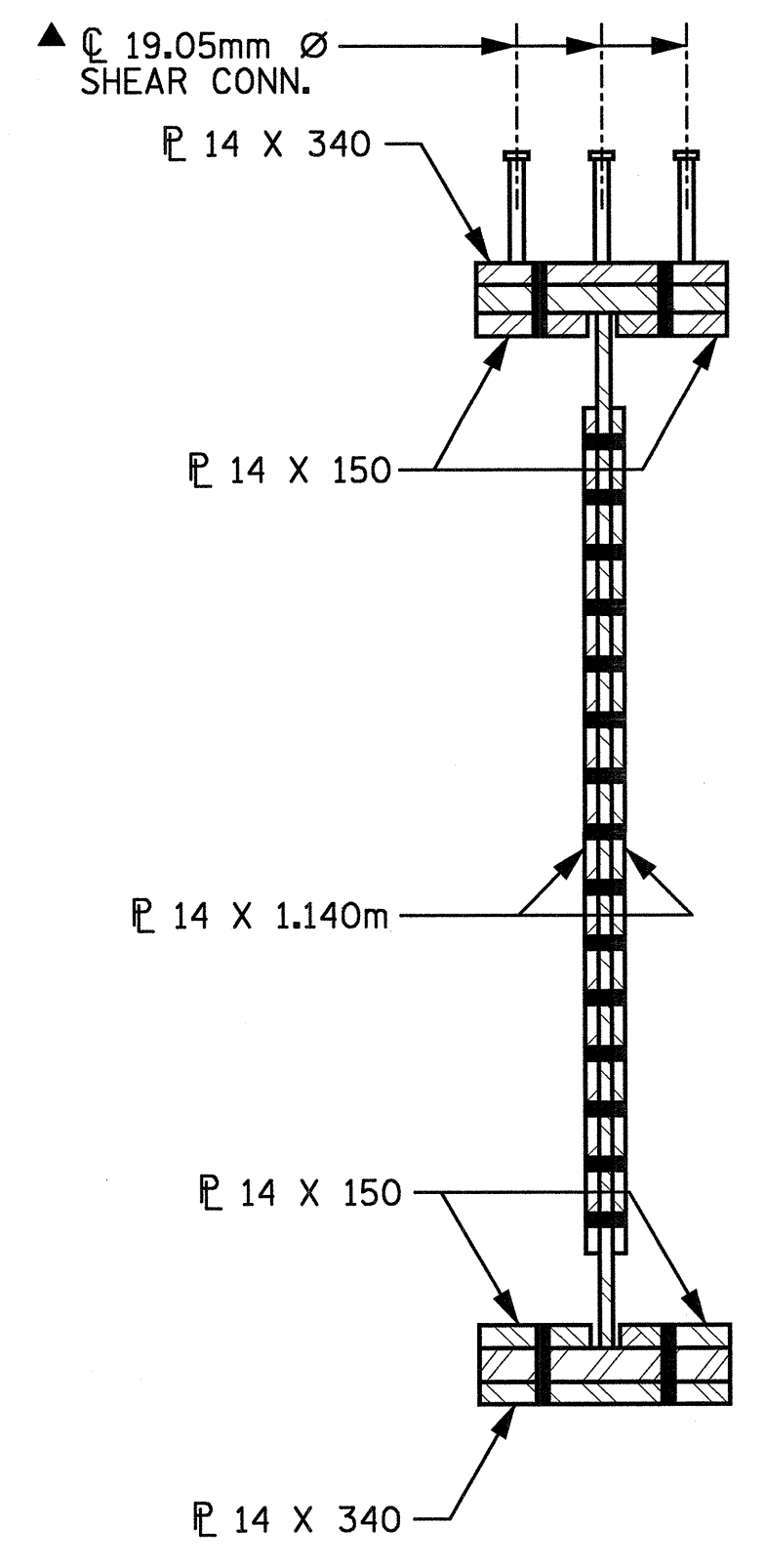
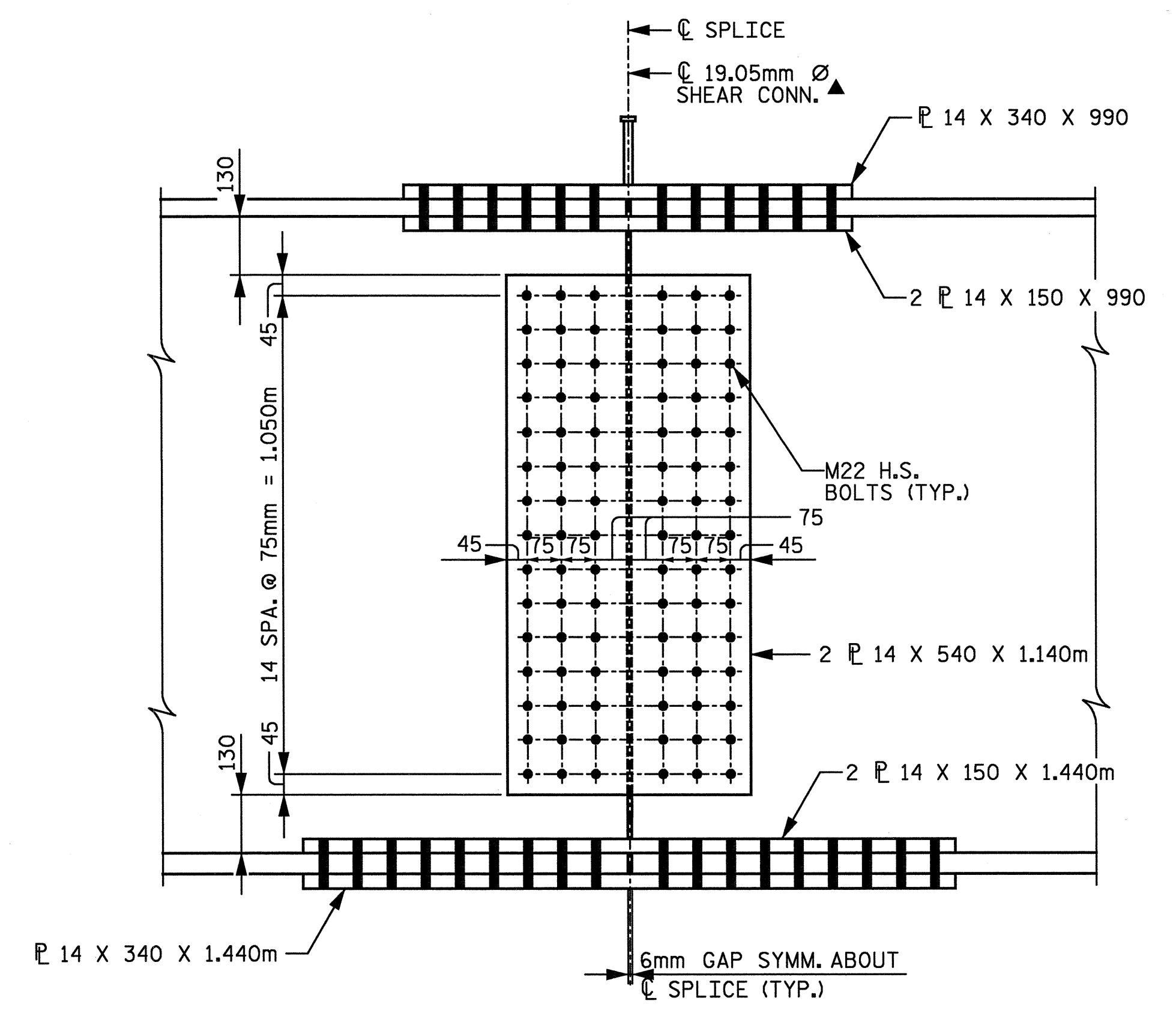


TOP FLANGE

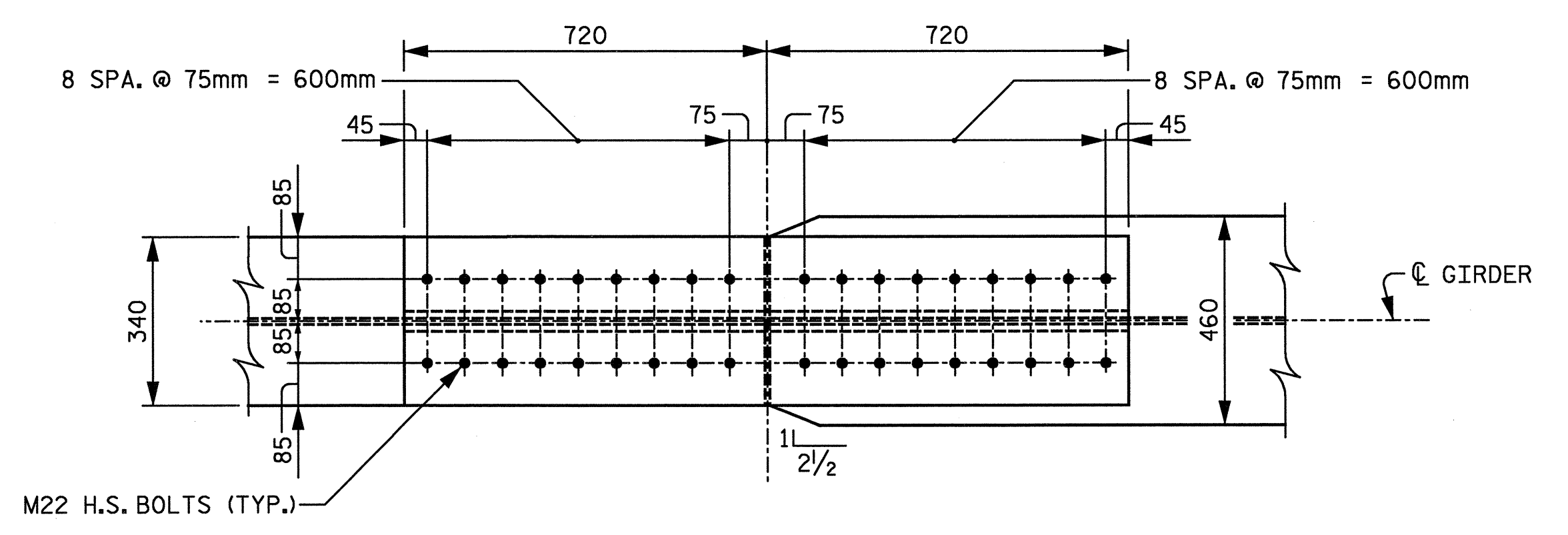
▲ SHEAR CONNECTOR ON CENTER OF SPLICE PLATE SHOWN. OTHER SHEAR CONNECTORS OMITTED FOR CLARITY. FOR OTHER SHEAR CONNECTOR SPACING, SEE FRAMING PLAN AND GIRDER DETAILS SPAN "A".



SECTION



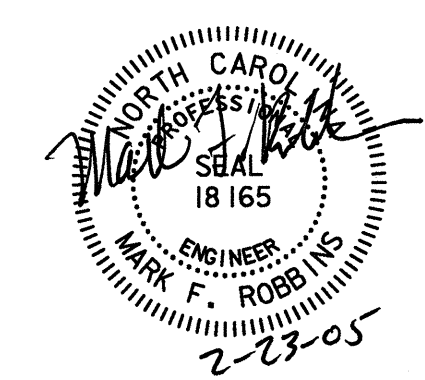
ELEVATION



BOTTOM FLANGE

PROJECT No R-2552C
 JOHNSTON COUNTY
 STATION: POS 16+52.599 -Y4-
 POC 9+28.021 -FLYOVER-

STATE OF NORTH CAROLINA
 DEPARTMENT OF TRANSPORTATION
 RALEIGH
 BOLTED FIELD SPLICE
 TYPE I



W RALPH WHITEHEAD ASSOCIATES, INC.
 CONSULTING ENGINEERS
 P.O. BOX 35624 CHARLOTTE, N.C. 28235
 DRAWN BY JTG, LGH DATE 9-04 DWG. NO.
 CHECKED BY TVR DATE 12-04 D-1748.13

REVISIONS	
NO.	DATE
1	3
2	4

SHEET NO. 5-402
 TOTAL SHEETS 431