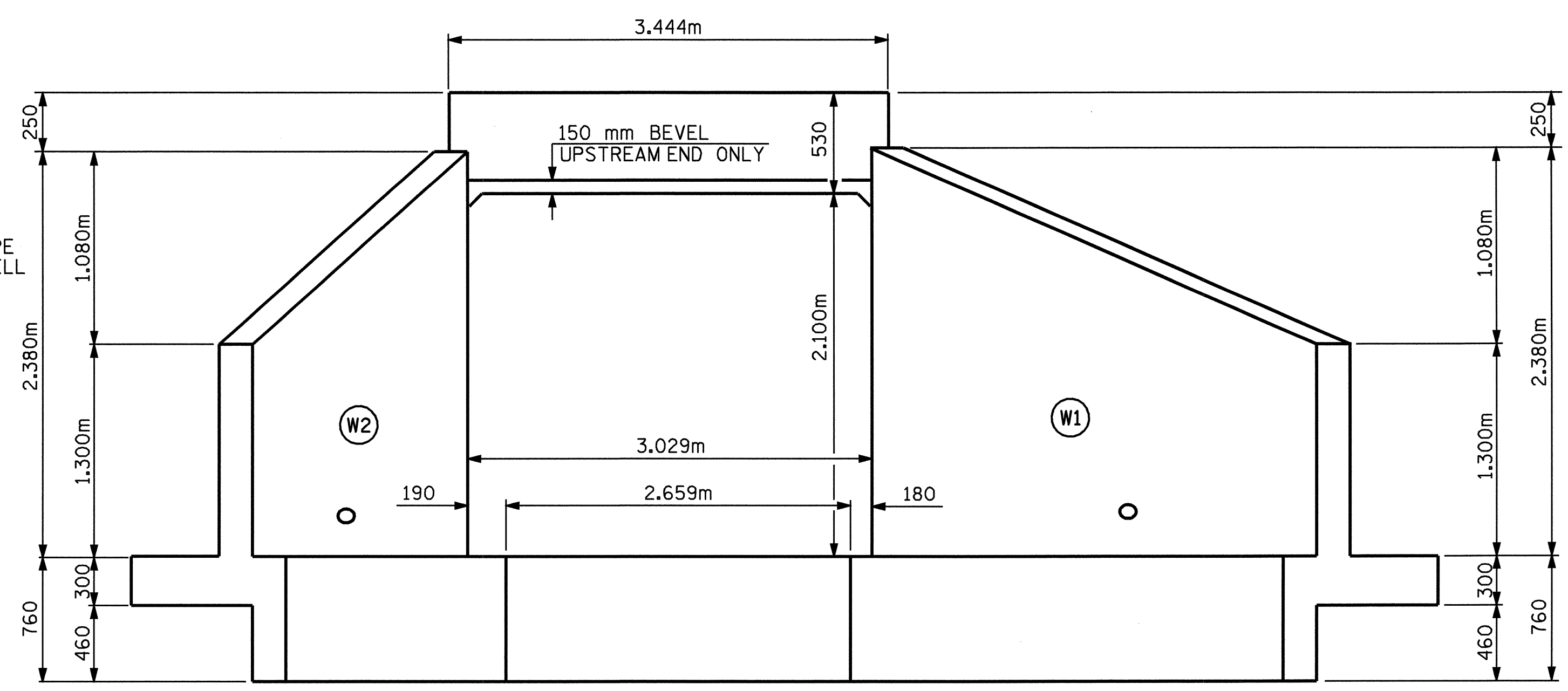
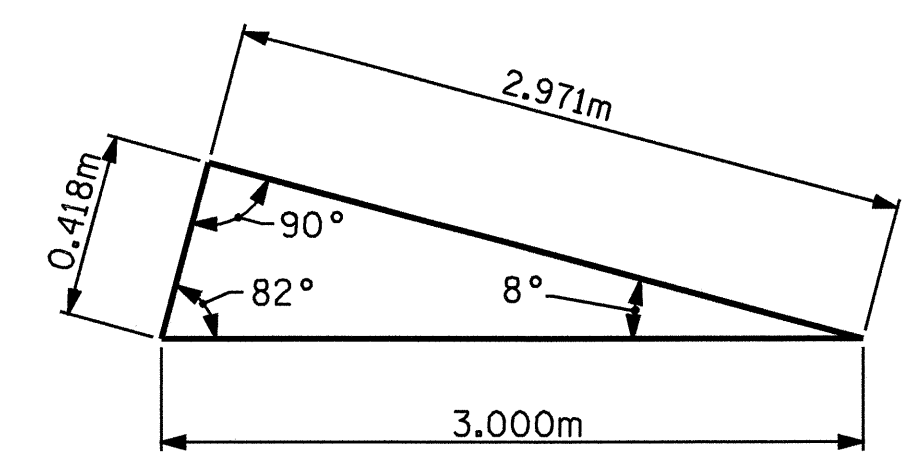
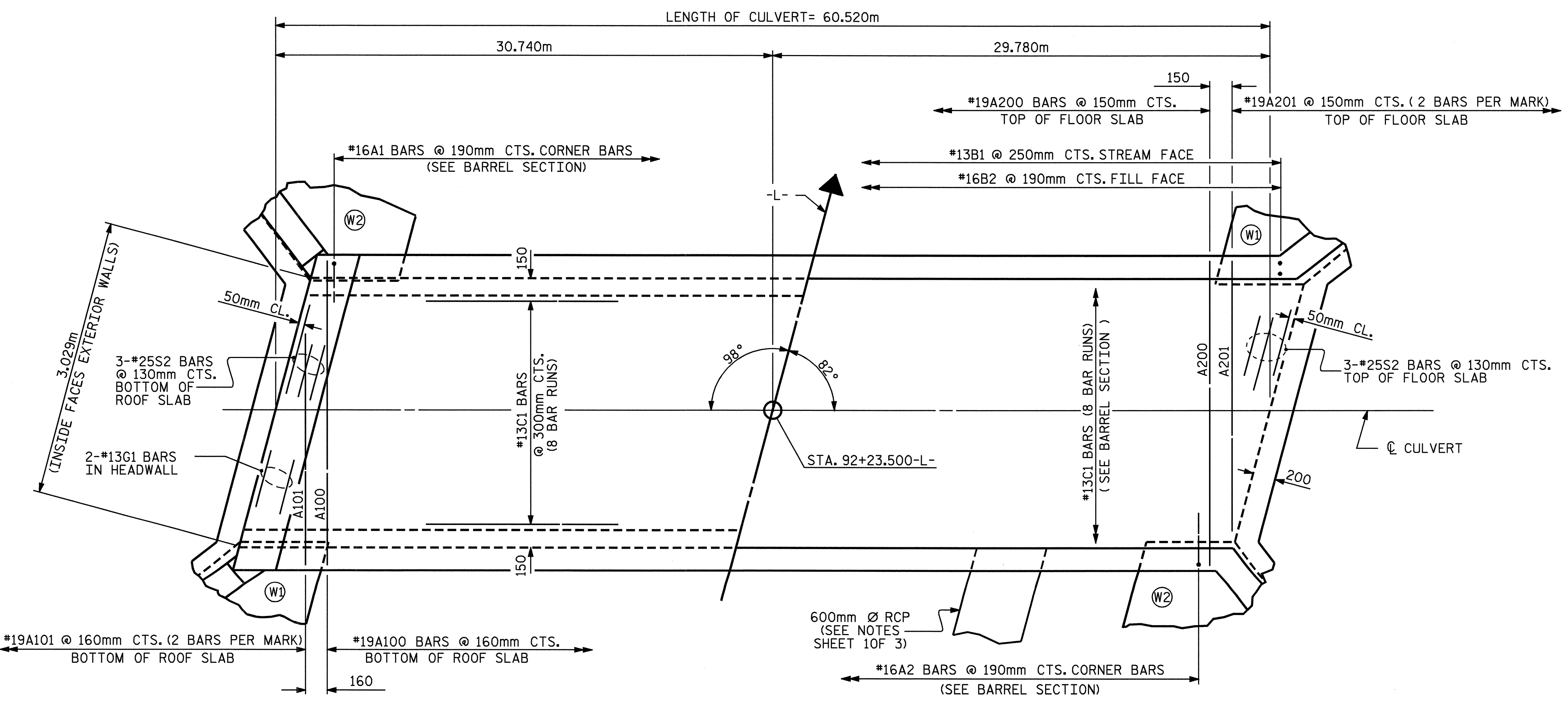


CULVERT SECTION NORMAL TO ROADWAY



END ELEVATION - NORMAL TO SKEW



SKEW TRIANGLE

PROJECT NO. R-2552B
JOHNSTON COUNTY
 STATION: 92+23.500-L-

SHEET 2 OF 3



STATE OF NORTH CAROLINA
 DEPARTMENT OF TRANSPORTATION
 RALEIGH
**BARREL STANDARD
 SINGLE 3.000m X 2.100m
 CONCRETE BOX CULVERT
 82° SKEW**

ASSEMBLED BY : L.L. MURPHY	DATE : 11-03
CHECKED BY : M.G. CHEEK	DATE : 04-04
DRAWN BY : EEM 6/97	
CHECKED BY : ARB 7/97	

REVISIONS						SHEET NO.
NO.	BY:	DATE:	NO.	BY:	DATE:	C-8
1			3			TOTAL SHEETS
2			4			42