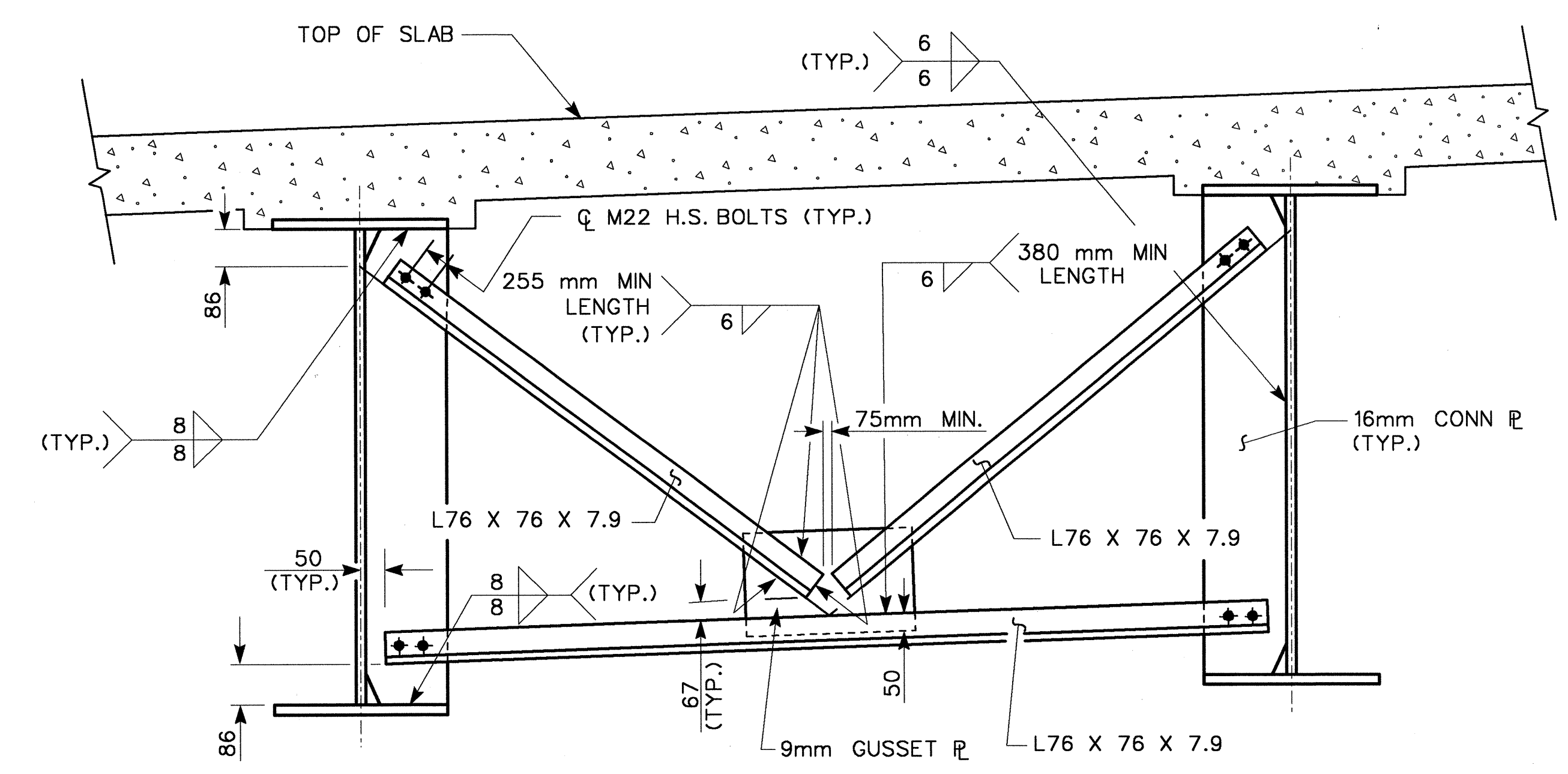
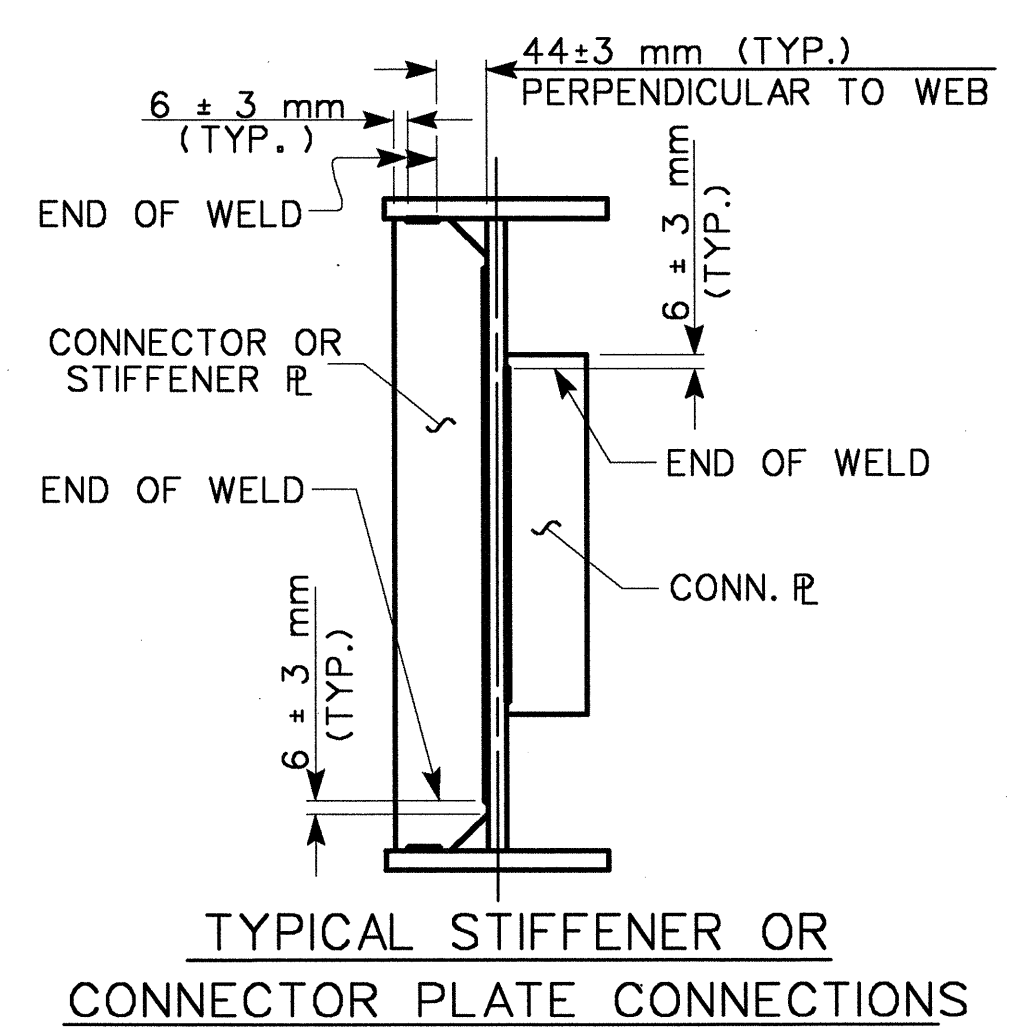
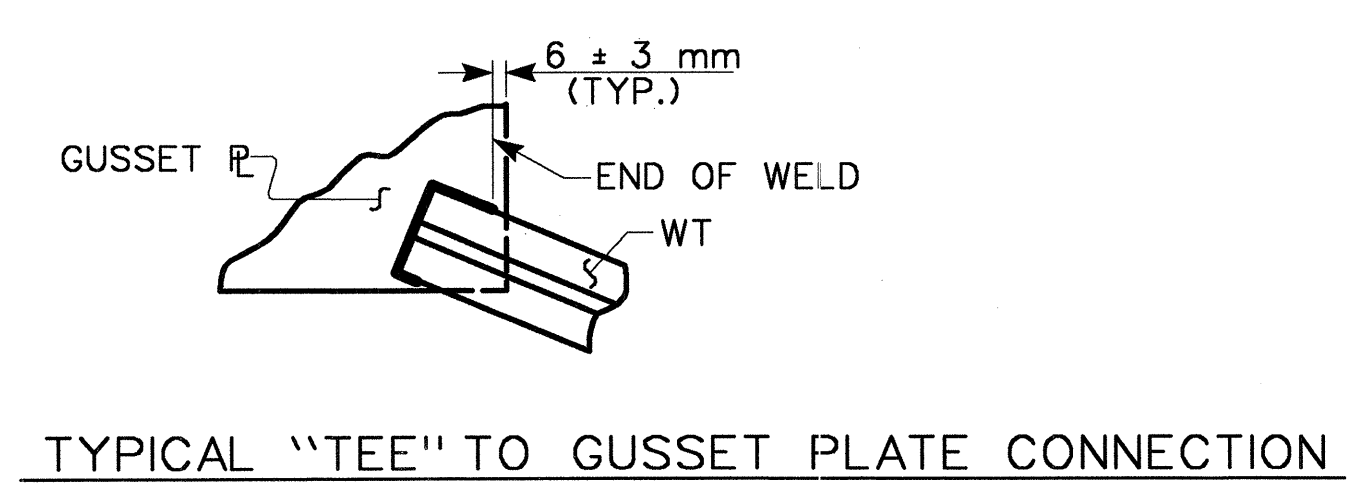
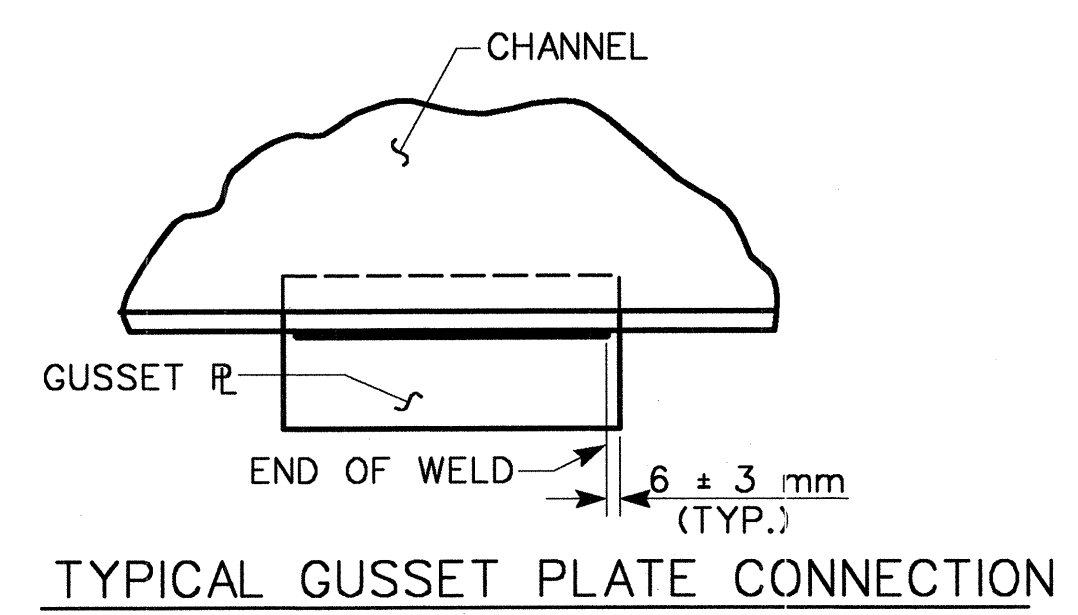


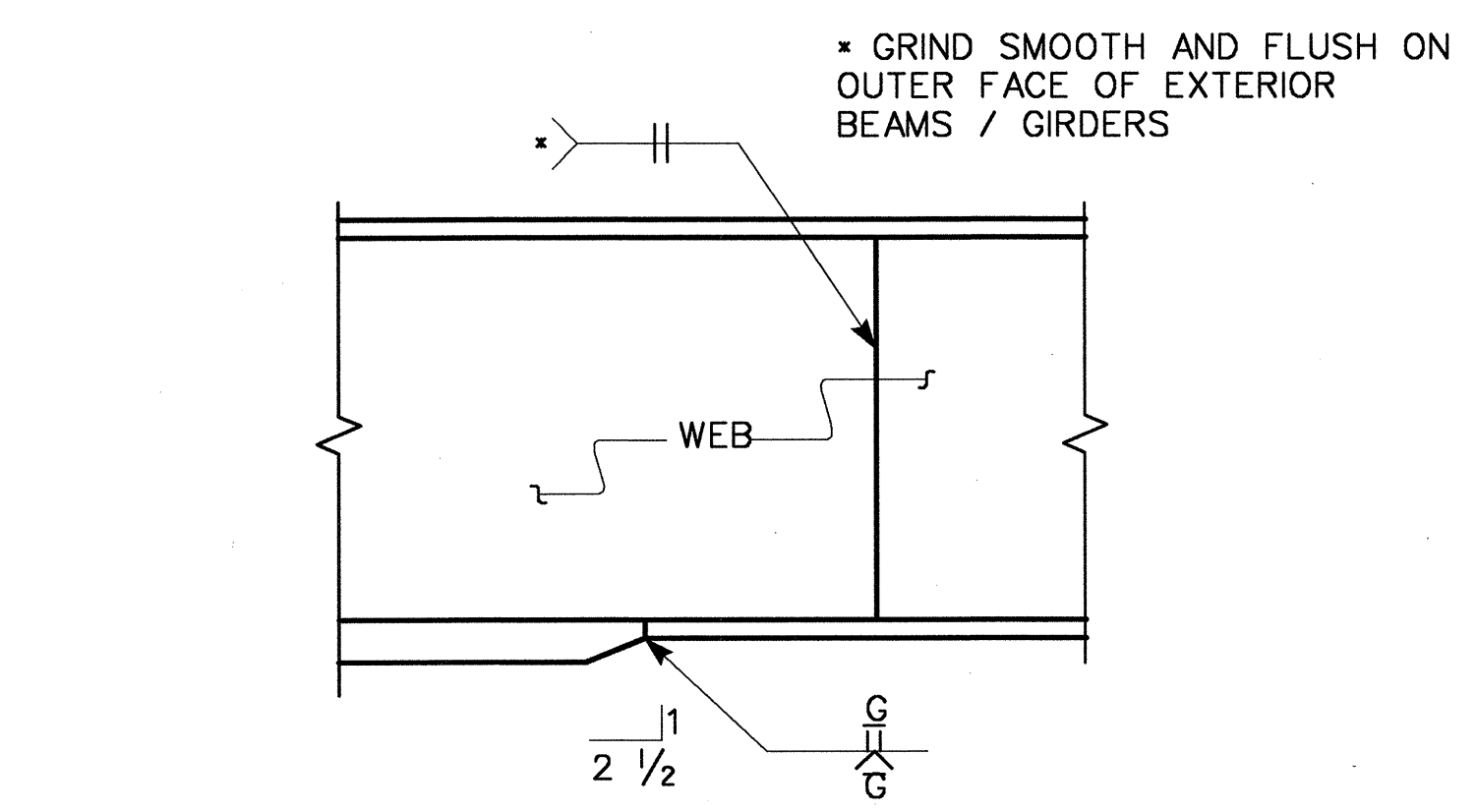
TYPICAL END BENT DIAPHRAGM - D1



TYPICAL INTERMEDIATE DIAPHRAGM - D2



WELD TERMINATION DETAILS

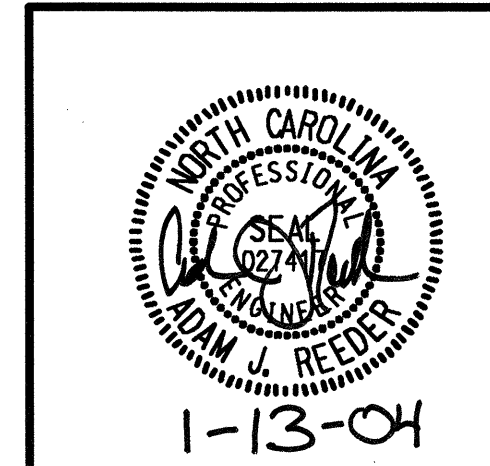


TYPICAL FLANGE AND WEB BUTT JOINT

PROJECT NO. R-2552B
JOHNSTON COUNTY
 STATION: 65+51.880 -L-
14+25.318 -Y7-

SHEET 2 of 3
 STATE OF NORTH CAROLINA
 DEPARTMENT OF TRANSPORTATION
 RALEIGH

SUPERSTRUCTURE
 STRUCTURAL STEEL DETAILS



REVISIONS				SHEET NO.	
NO.	BY:	DATE:	NO.	BY:	DATE:
1			3		
2			4		

3-10
TOTAL SHEETS
431

PBS&J
 1616 E. MILLBROOK RD., SUITE 310
 RALEIGH, NORTH CAROLINA 27609
 PHONE (919) 876-6888
 FAX (919) 876-6848

DRAWN BY : SD DATE : 8/03
 CHECKED BY : JL DATE : 8/03