

**NOTES**

FOR ELASTOMERIC BEARINGS, SEE SPECIAL PROVISIONS.

AT ALL FIXED POINTS OF SUPPORT, NUTS FOR ANCHOR BOLTS ARE TO BE TIGHTENED FINGER TIGHT AND THEN BACKED OFF 1/2 TURN. THE THREAD OF THE NUT AND BOLT SHALL THEN BE BURRED WITH A SHARP POINTED TOOL.

THE 51mm Ø PIPE SLEEVE SHALL BE CUT FROM SCHEDULE 40 PVC PLASTIC PIPE. THE PVC PLASTIC PIPE SHALL MEET THE REQUIREMENTS OF ASTM D1785.

THE PAYMENT FOR THE PIPE SLEEVES SHALL BE INCLUDED IN THE SEVERAL PAY ITEMS.

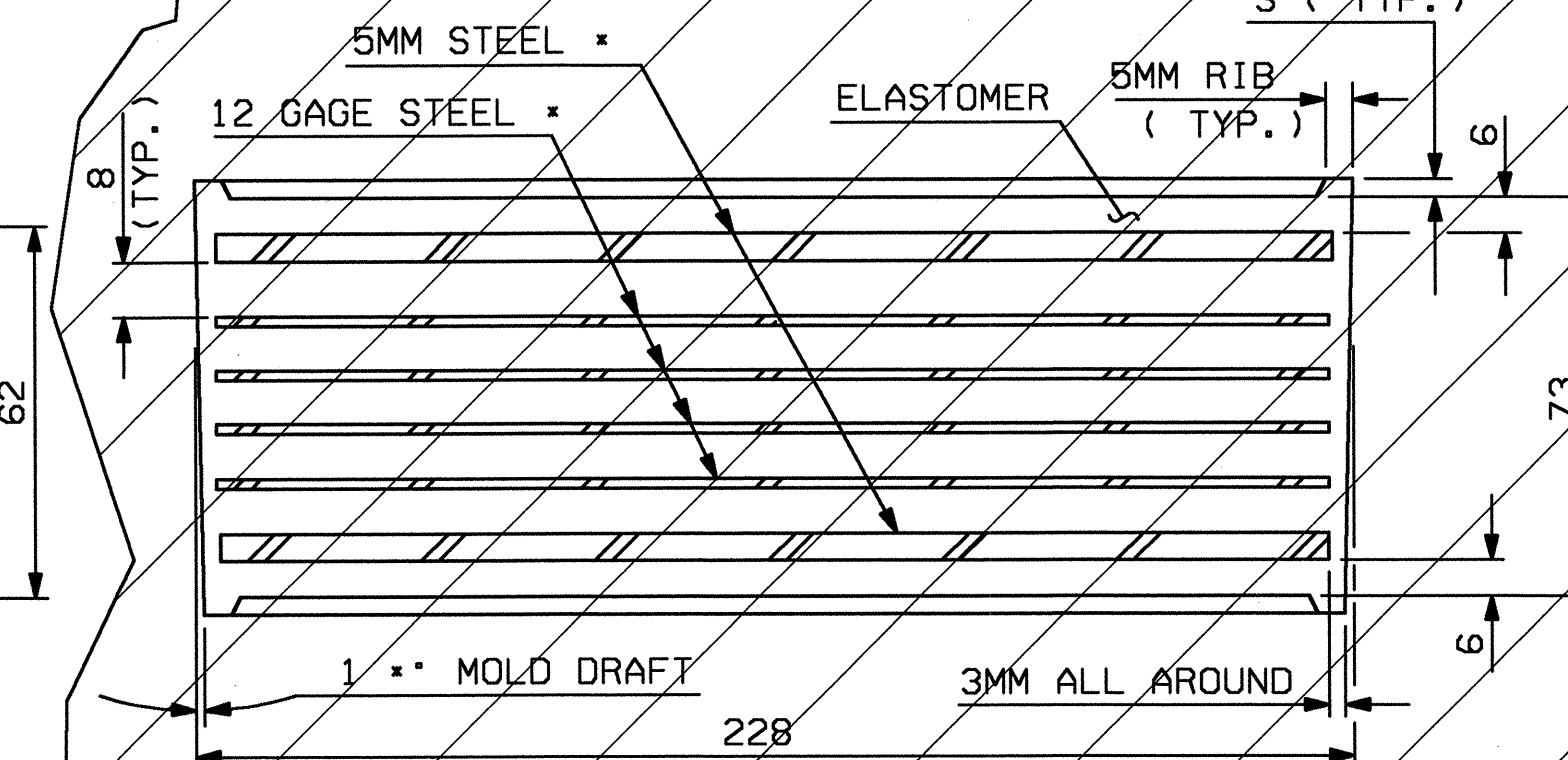
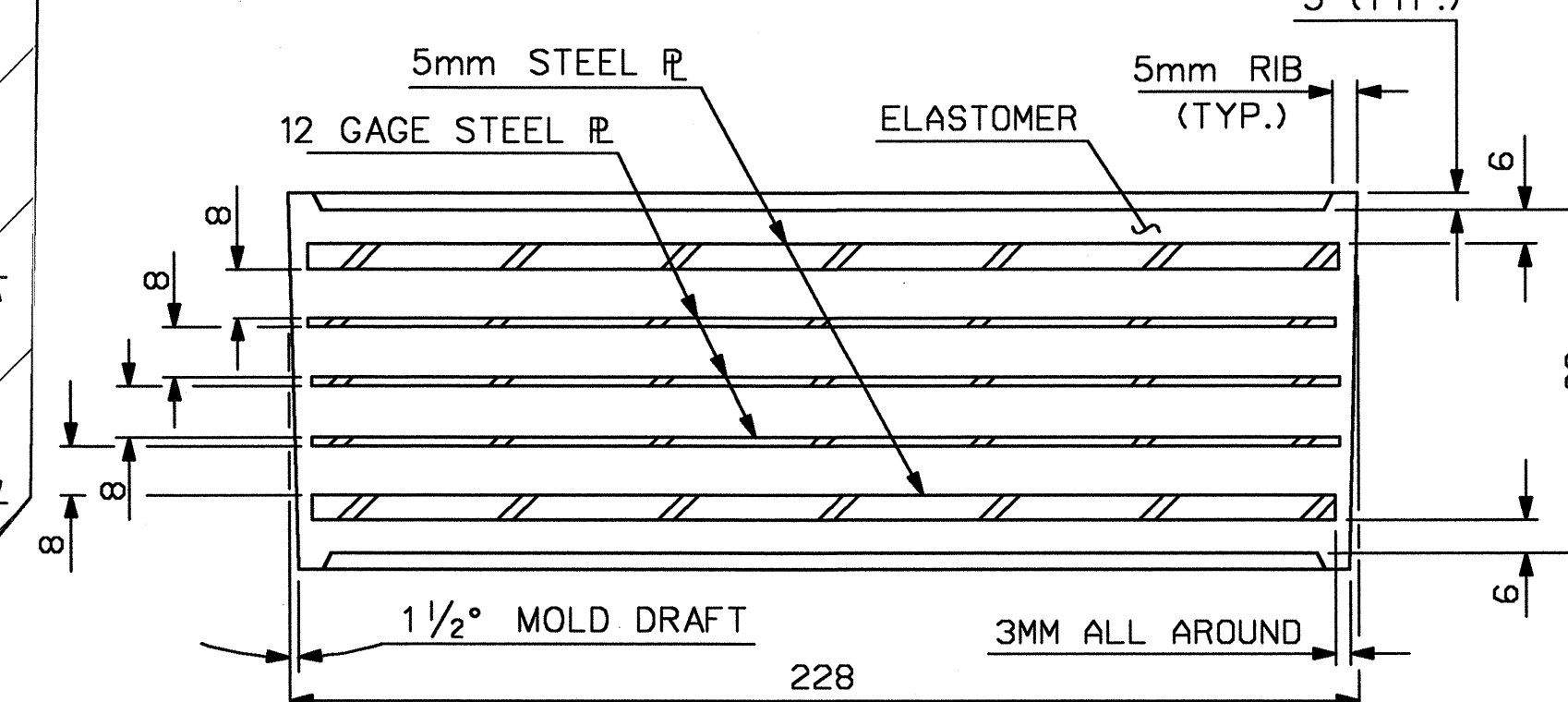
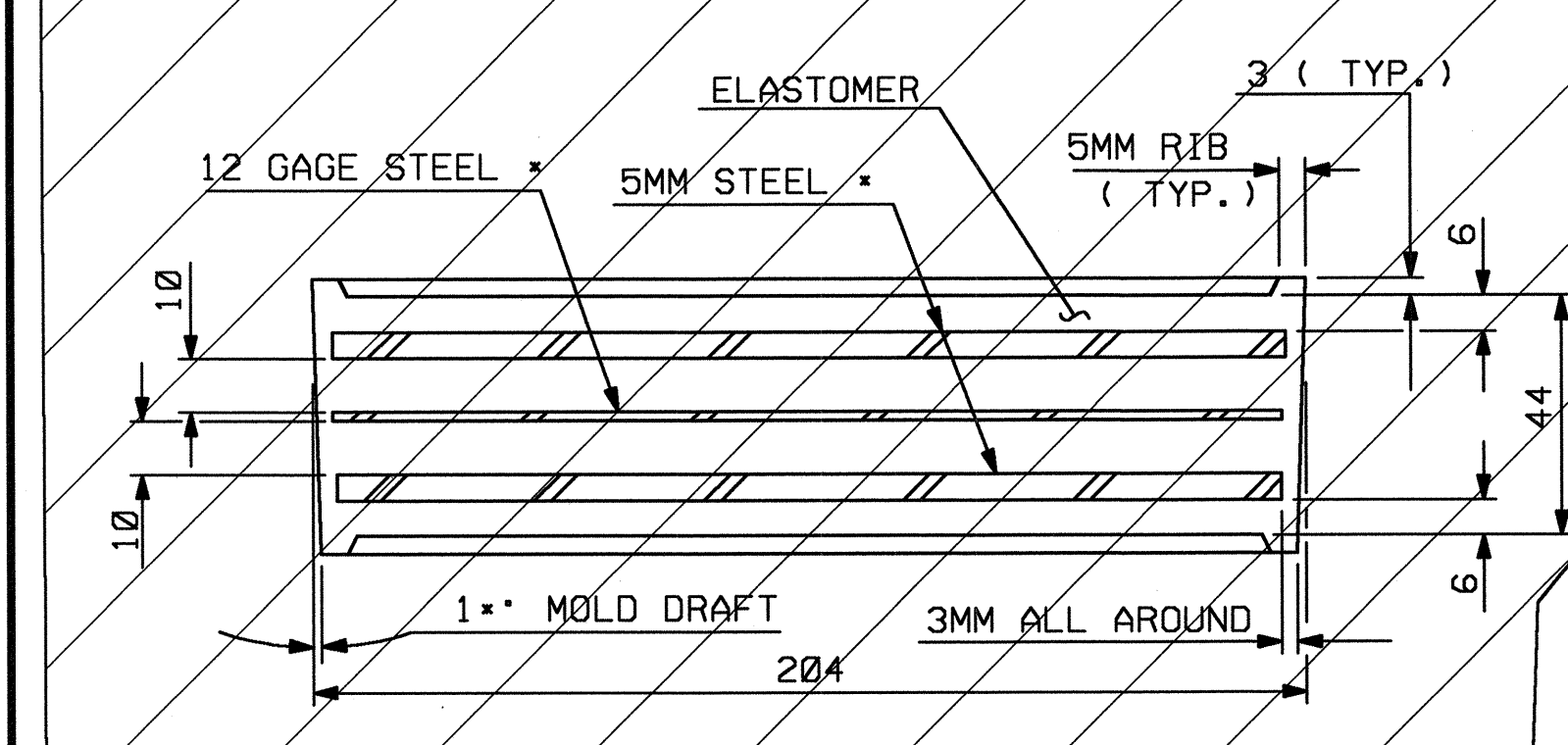
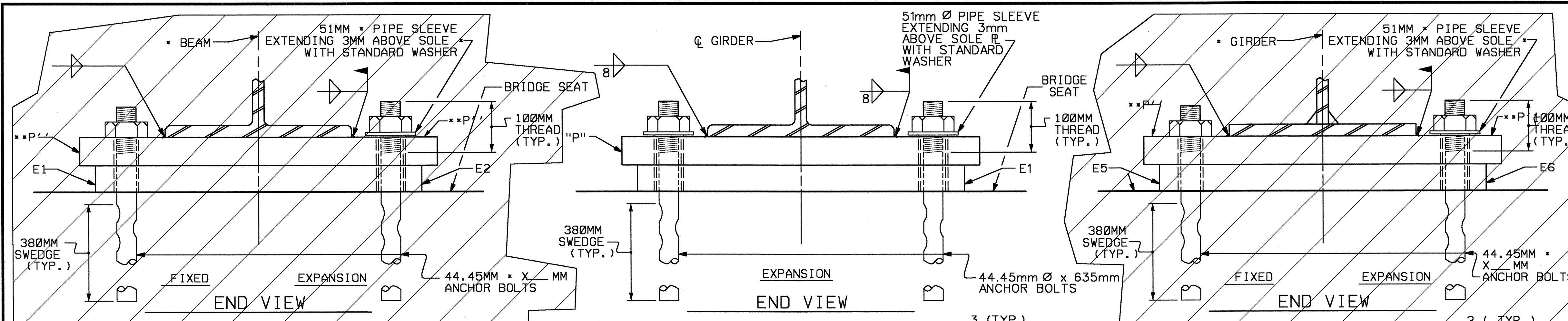
FOR AASHTO M270 GRADE 345W STRUCTURAL STEEL, SOLE PLATE SHALL BE AASHTO M270 GRADE 345W AND SHALL NOT BE GALVANIZED, ANCHOR BOLTS AND NUTS SHALL BE GALVANIZED IN ACCORDANCE WITH THE STANDARD SPECIFICATIONS.

ANCHOR BOLTS SHALL MEET THE REQUIREMENTS OF ASTM A449. NUTS SHALL MEET THE REQUIREMENTS OF AASHTO M291M-12 OR AASHTO M292M-2H. WASHERS SHALL MEET THE REQUIREMENTS OF AASHTO M293M. SHOP DRAWINGS ARE NOT REQUIRED FOR ANCHOR BOLTS, NUTS AND WASHERS. SHOP INSPECTION IS REQUIRED.

WHEN FIELD WELDING THE SOLE PLATE TO THE GIRDER FLANGE, USE TEMPERATURE INDICATING WAX PENS, OR OTHER SUITABLE MEANS, TO ENSURE THAT THE TEMPERATURE OF THE SOLE PLATE DOES NOT EXCEED 149°C. TEMPERATURES ABOVE THIS MAY DAMAGE THE ELASTOMER.

ALL SURFACES OF BEARING PLATES SHALL BE SMOOTH AND STRAIGHT.

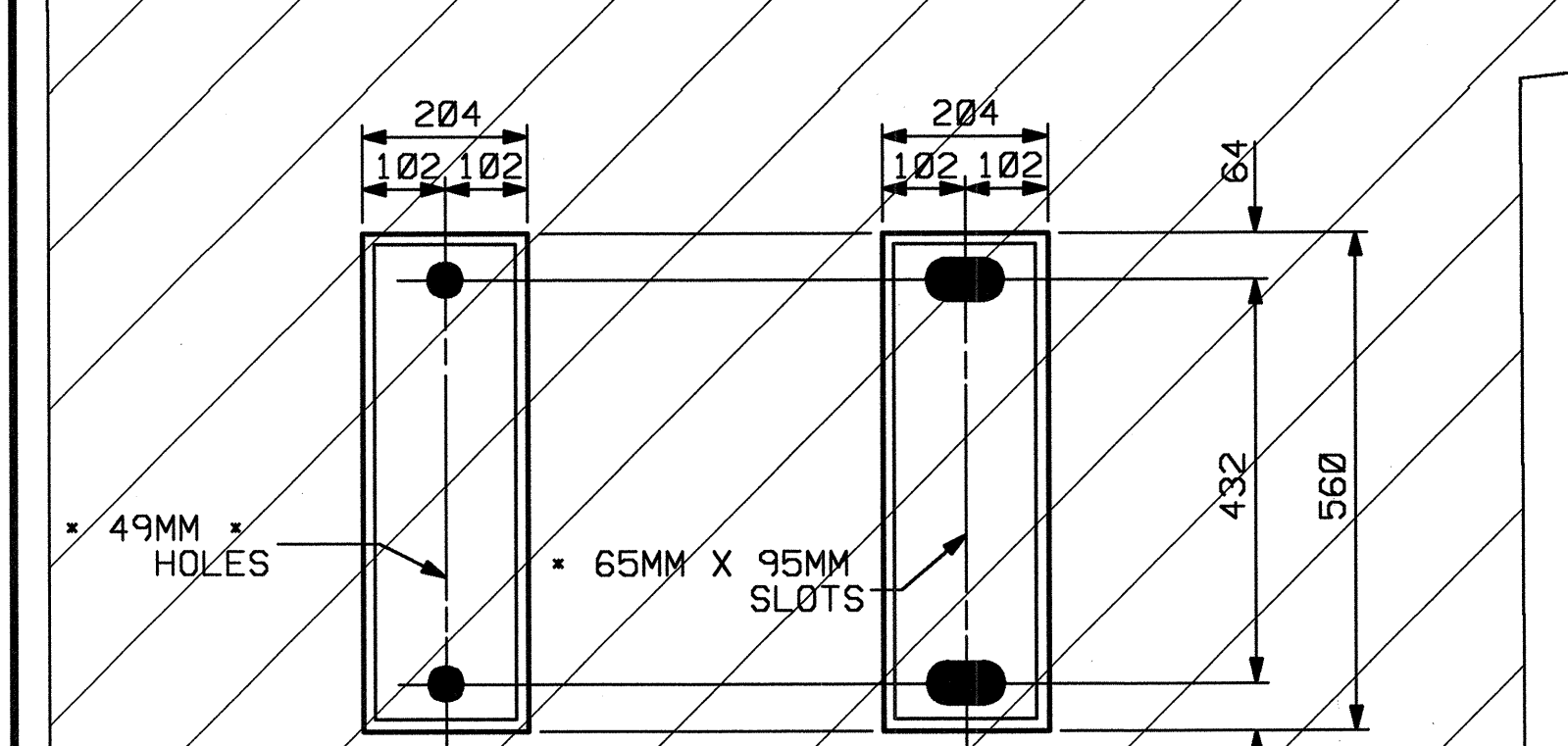
ELASTOMER IN ALL BEARINGS SHALL BE GRADE 60 DUROMETER HARDNESS.



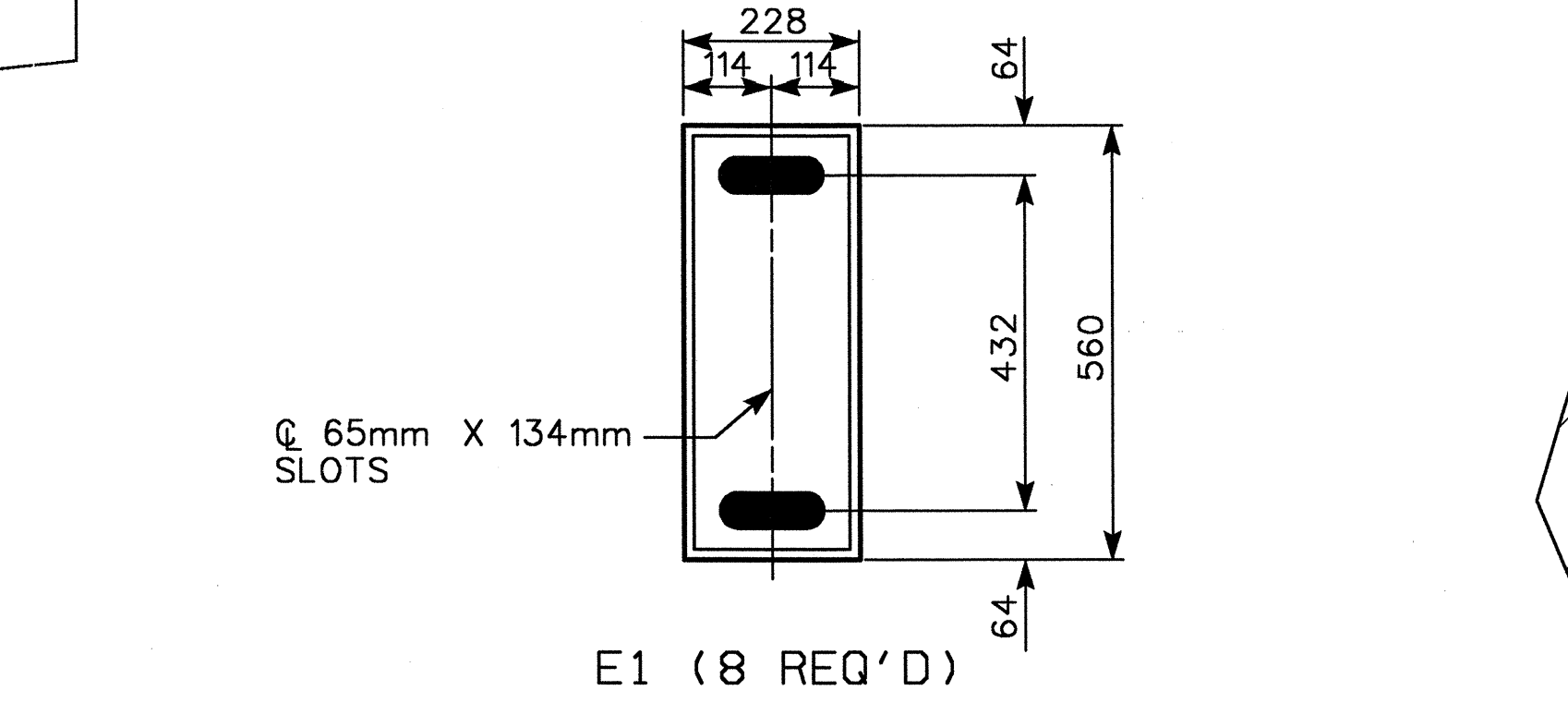
TYPICAL SECTION OF ELASTOMERIC BEARINGS

TYPICAL SECTION OF ELASTOMERIC BEARINGS

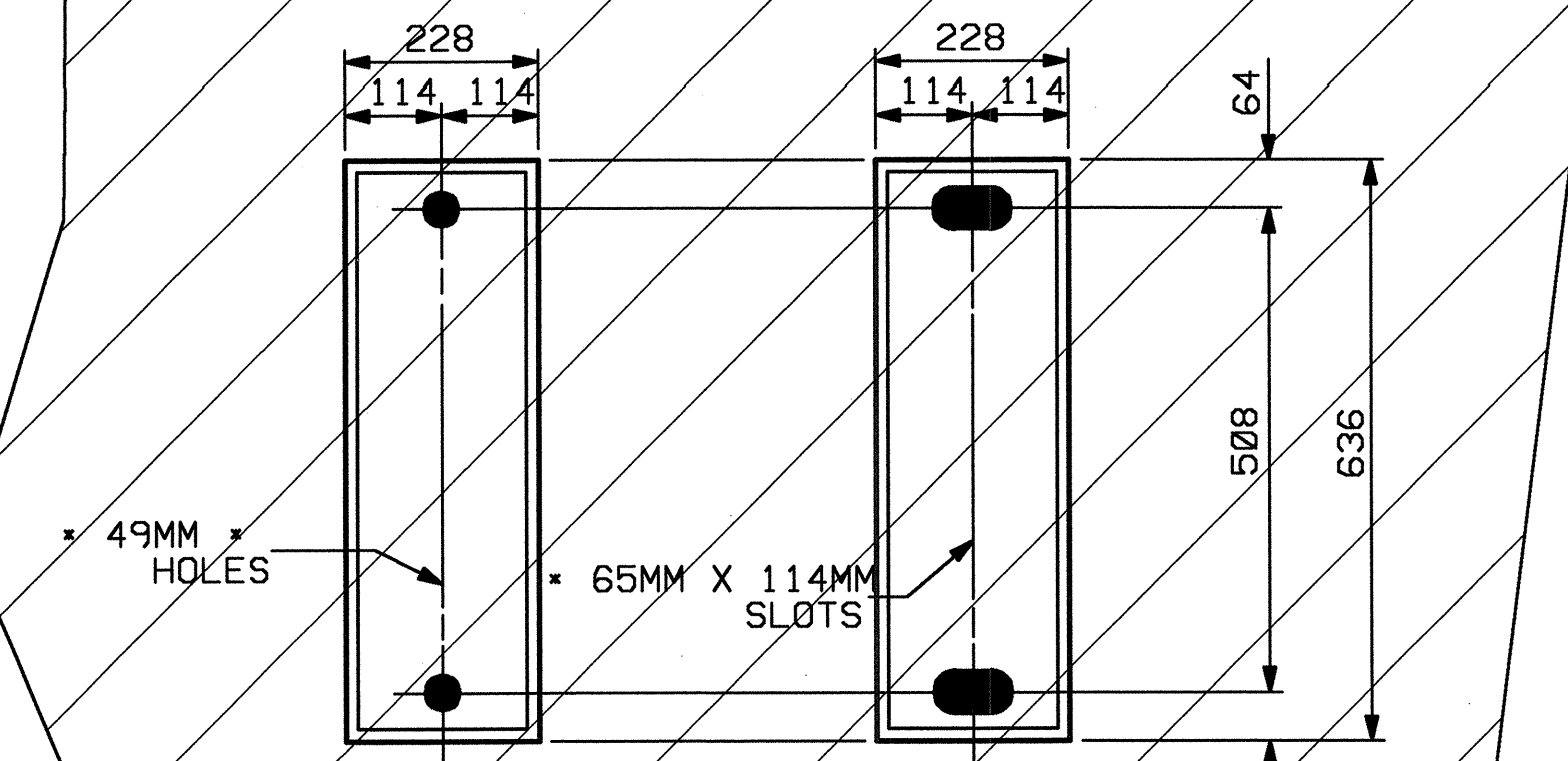
TYPICAL SECTION OF ELASTOMERIC BEARINGS



E1 (REQ'D) E2 (REQ'D)  
PLAN VIEW OF ELASTOMERIC BEARING  
TYPE I

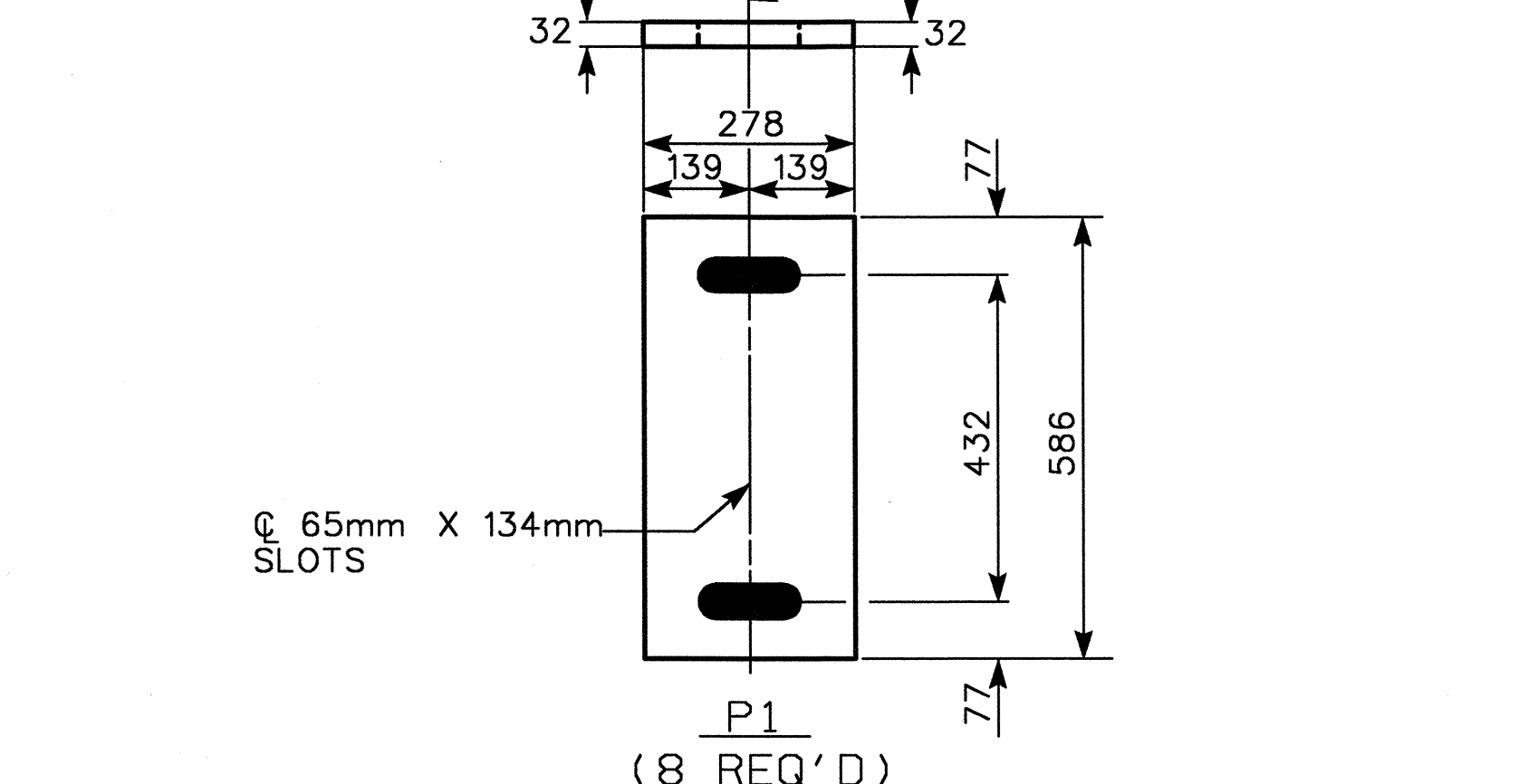


E1 (8 REQ'D)  
PLAN VIEW OF ELASTOMERIC BEARING  
TYPE II



E5 (REQ'D) E6 (REQ'D)  
PLAN VIEW OF ELASTOMERIC BEARING  
TYPE III

-LOAD RATINGS-	
	MAX. D.L. + L.L.
TYPE II	632 KN



SOLE PLATE DETAILS ("P")

THIS STANDARD DRAWING REVIEWED AND ADAPTED FOR USE AT THE REFERENCED LOCATION BY THE UNDERSIGNED.

PROJECT NO. R-2552B  
JOHNSTON COUNTY  
STATION: 65+51.880 -L-  
14+25.318 -Y7-

STATE OF NORTH CAROLINA  
DEPARTMENT OF TRANSPORTATION  
RALEIGH  
**STANDARD ELASTOMERIC BEARING DETAILS**  
(STEEL SUPERSTRUCTURE)

REVISIONS				SHEET NO.
NO.	BY	DATE	NO.	DATE
1			3	
2			4	

SHEET NO. S-12  
TOTAL SHEETS 43

ASSEMBLED BY : SD	DATE : 6/03
CHECKED BY : JL	DATE : 8/03
DRAWN BY : JMB 11/87	REV. 7/17/98 RWW/LES
CHECKED BY : ARB 11/87	REV. 8/16/99 MAB/LES
	REV. 10/17/00 RWW/LES