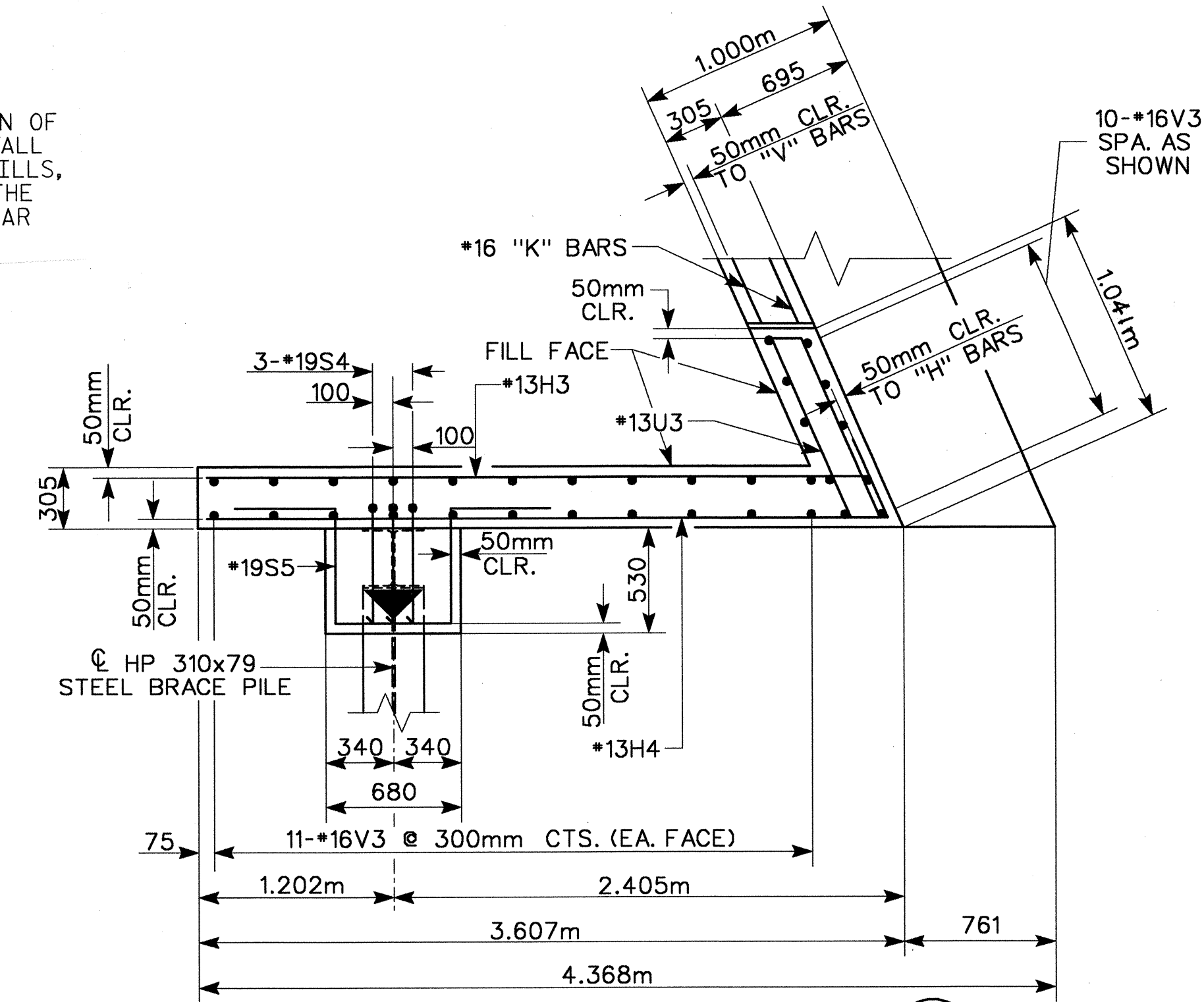
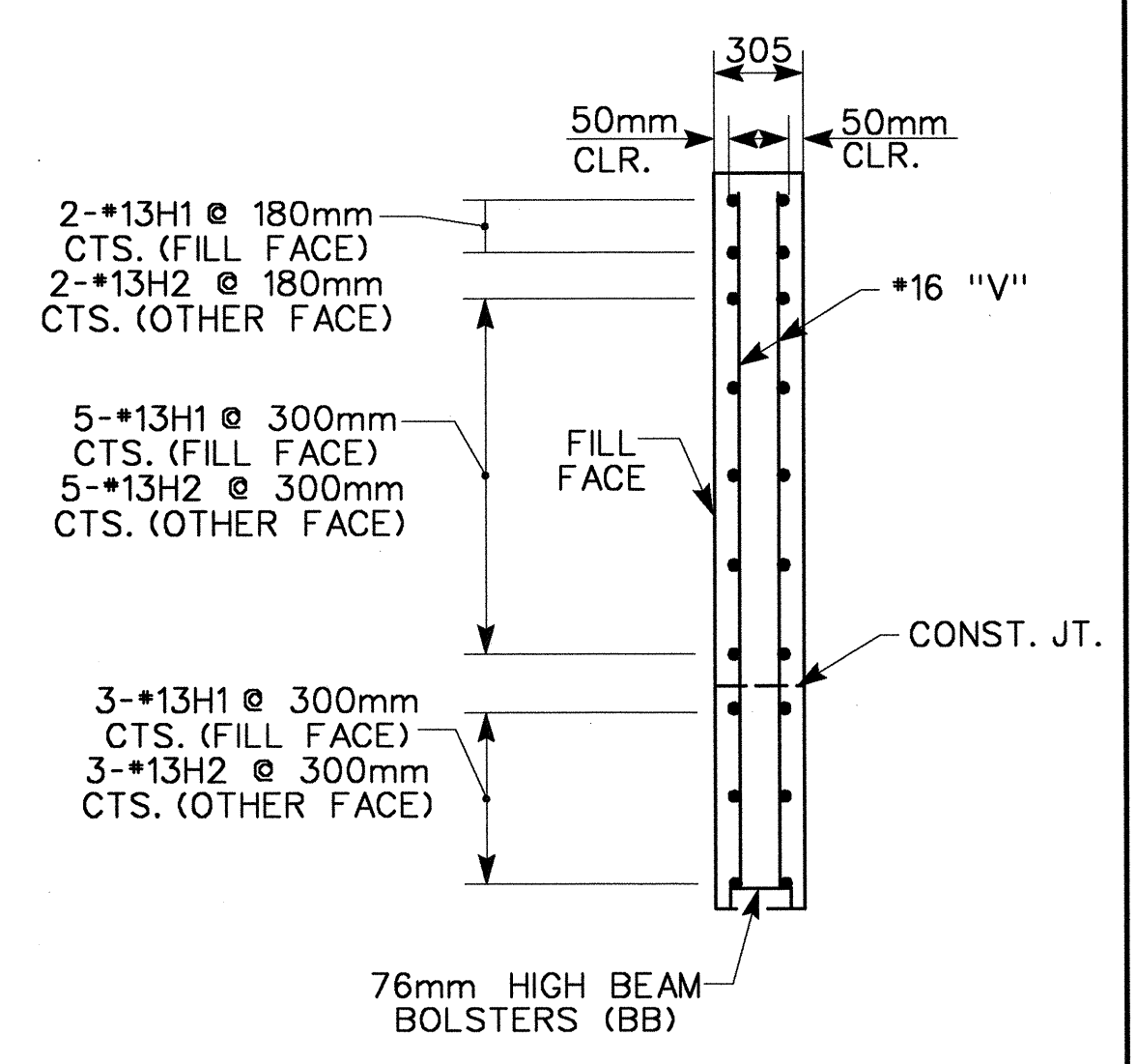


PLAN OF LEFT WING (W1)

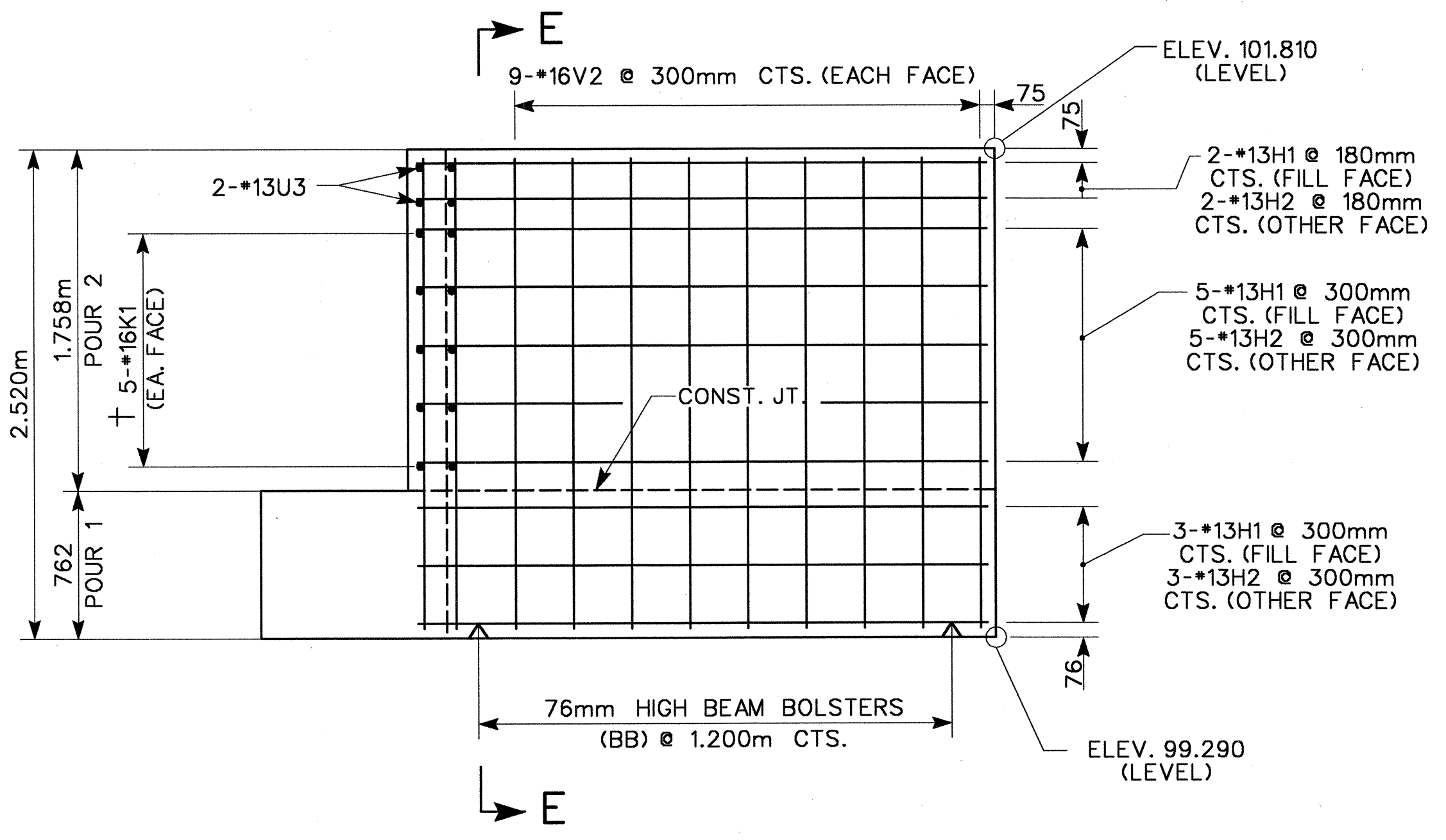
NOTE:
THE CONTRACTOR SHALL PROVIDE FOR INSTALLATION OF THE 102 mm Ø DRAIN PIPE THROUGH THE WING WALL AS REQUIRED FOR REINFORCED BRIDGE APPROACH FILLS. SEE THE ROADWAY PLANS. REINFORCING STEEL IN THE WING WALL MAY BE SHIFTED AS NECESSARY TO CLEAR THE DRAIN PIPE.



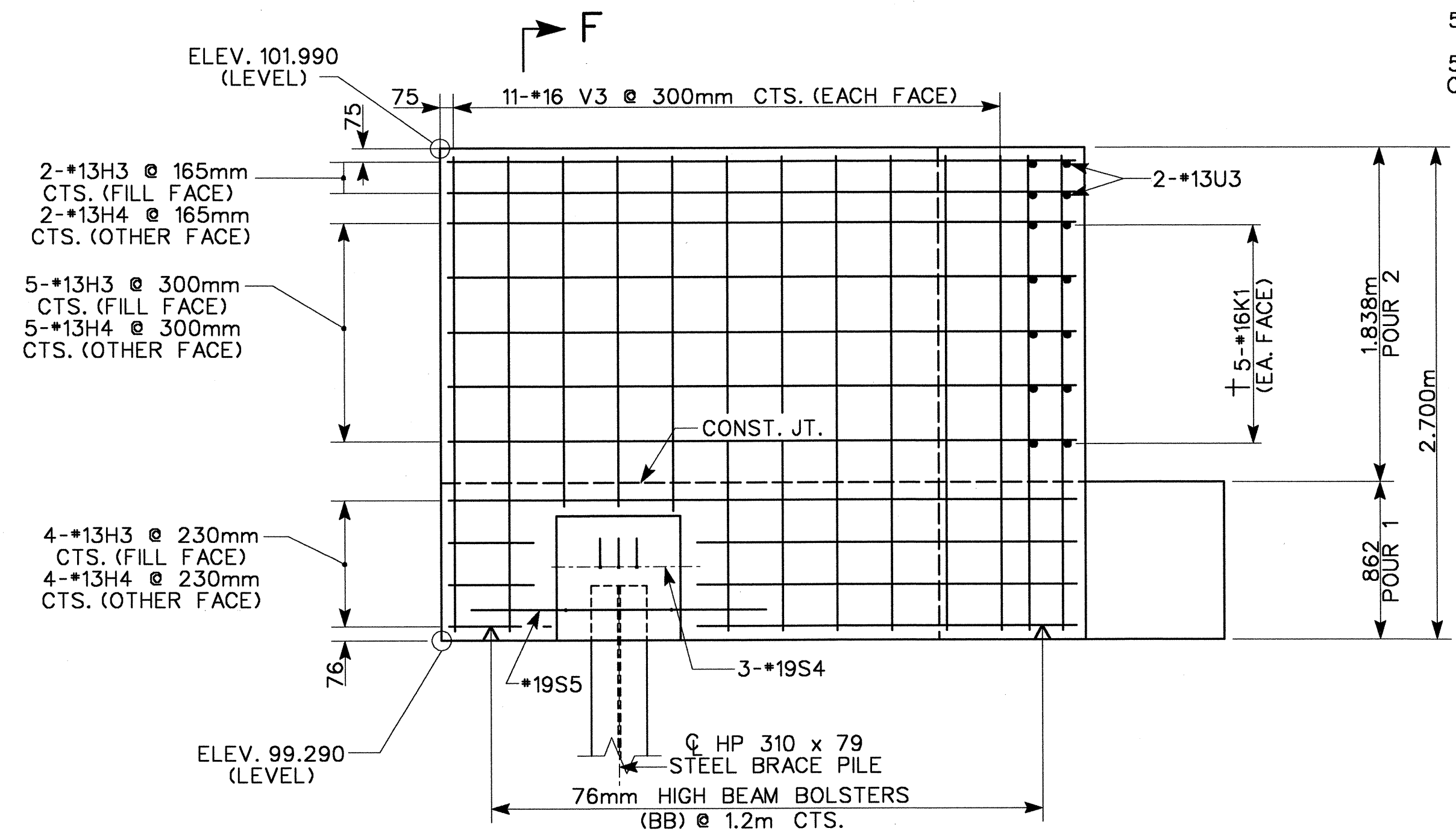
PLAN OF RIGHT WING (W2)



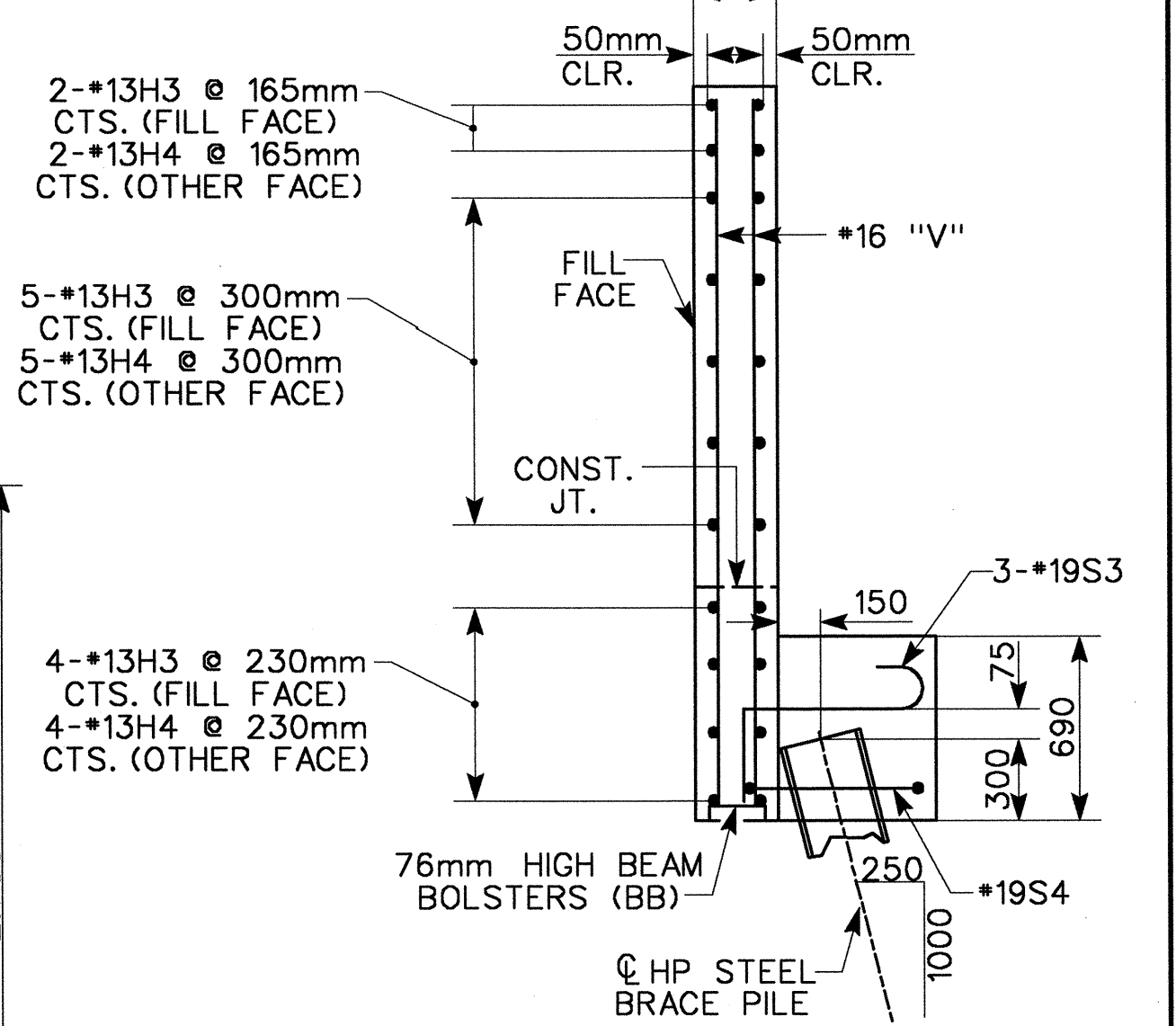
SECTION E-E



ELEVATION OF LEFT WING (W1)



ELEVATION OF RIGHT WING (W2)



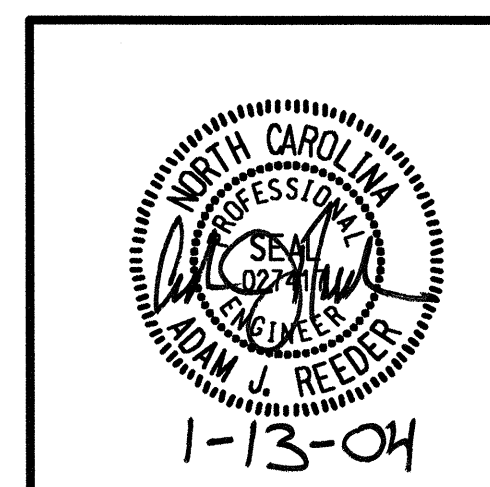
SECTION F-F

† MATCH "H" BARS TO "K" BARS AS SHOWN

PROJECT NO. R-2552B
JOHNSTON COUNTY
STATION: 65+51.880 -L-
14+25.318 -Y7-

SHEET 2 of 3
STATE OF NORTH CAROLINA
DEPARTMENT OF TRANSPORTATION
RALEIGH

END BENT #1
SUBSTRUCTURE



REVISIONS				SHEET NO.
NO.	BY:	DATE:	NO.	DATE:
1			3	
2			4	

5-12
TOTAL SHEETS
431

PBS&
1616 E. MILLBROOK RD., SUITE 310
RALEIGH, NORTH CAROLINA 27609
PHONE (919) 876-6888
FAX (919) 876-6848

DRAWN BY: SD DATE: 7/03
CHECKED BY: JL DATE: 8/03