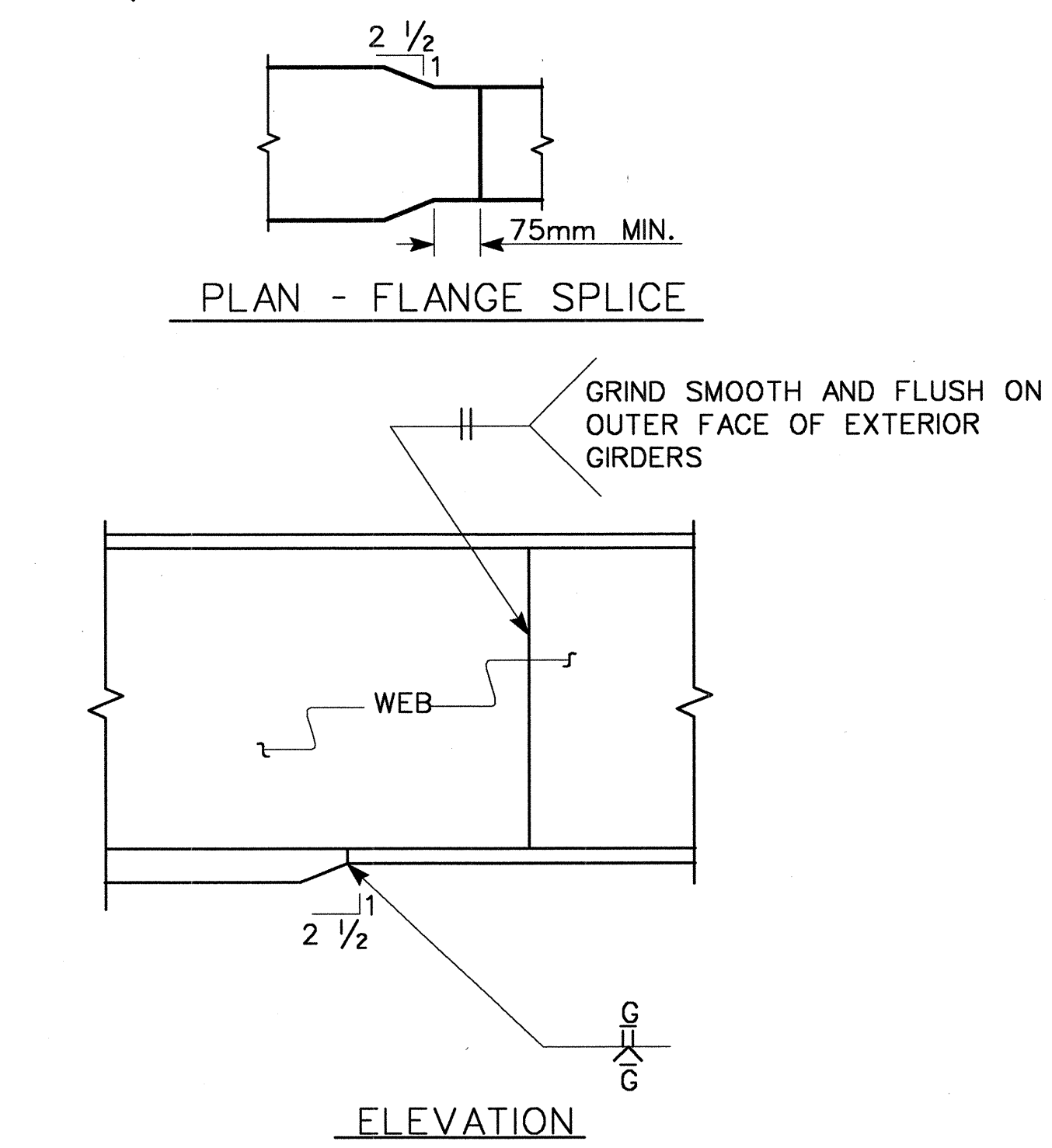
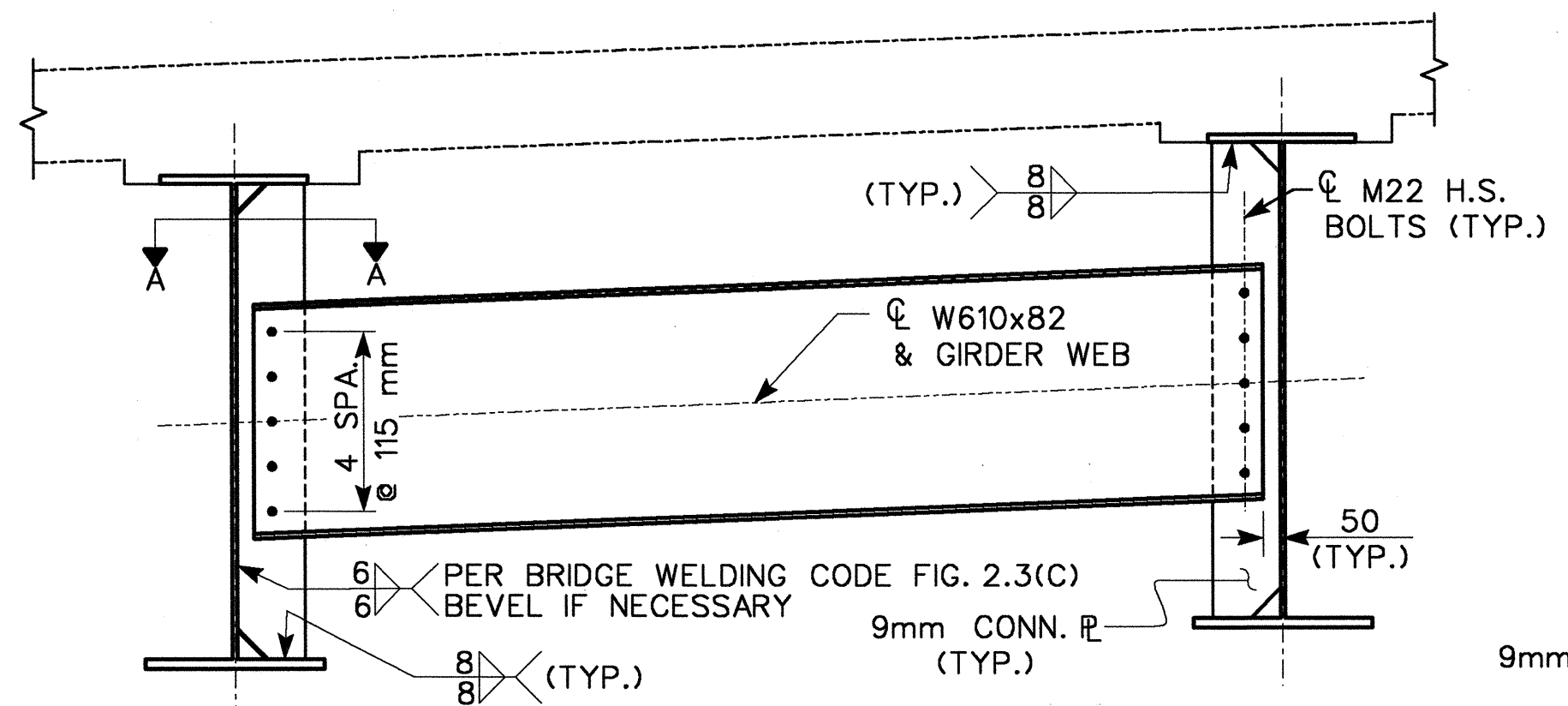


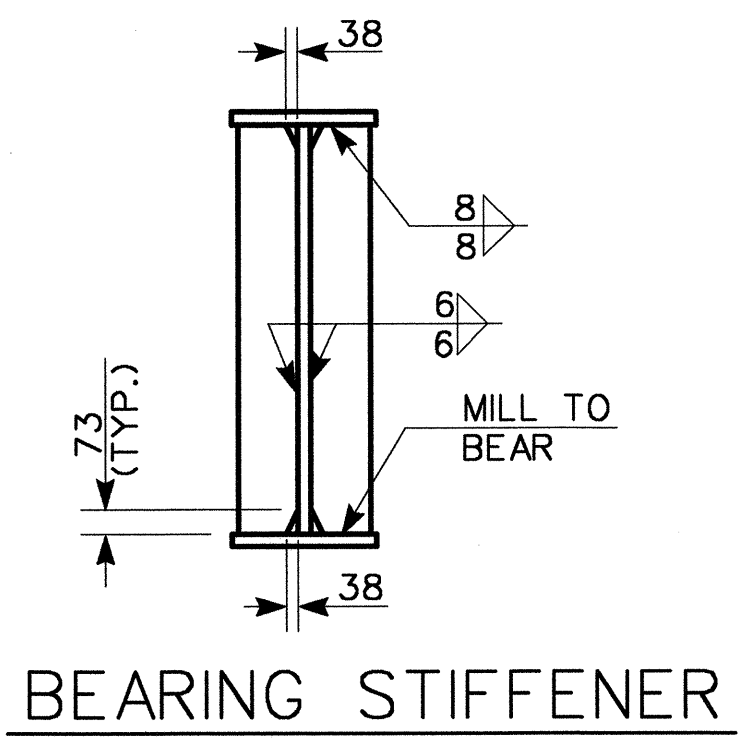
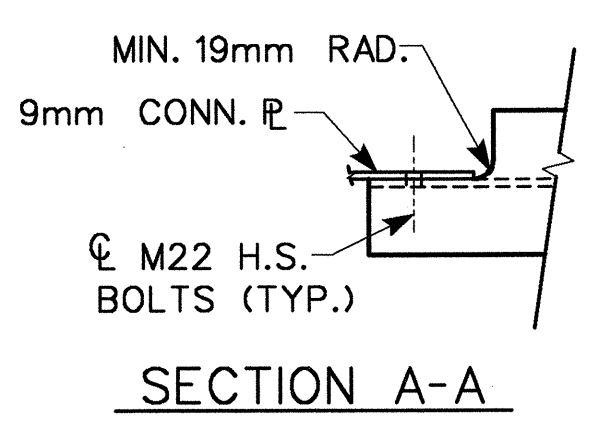
2-13-04



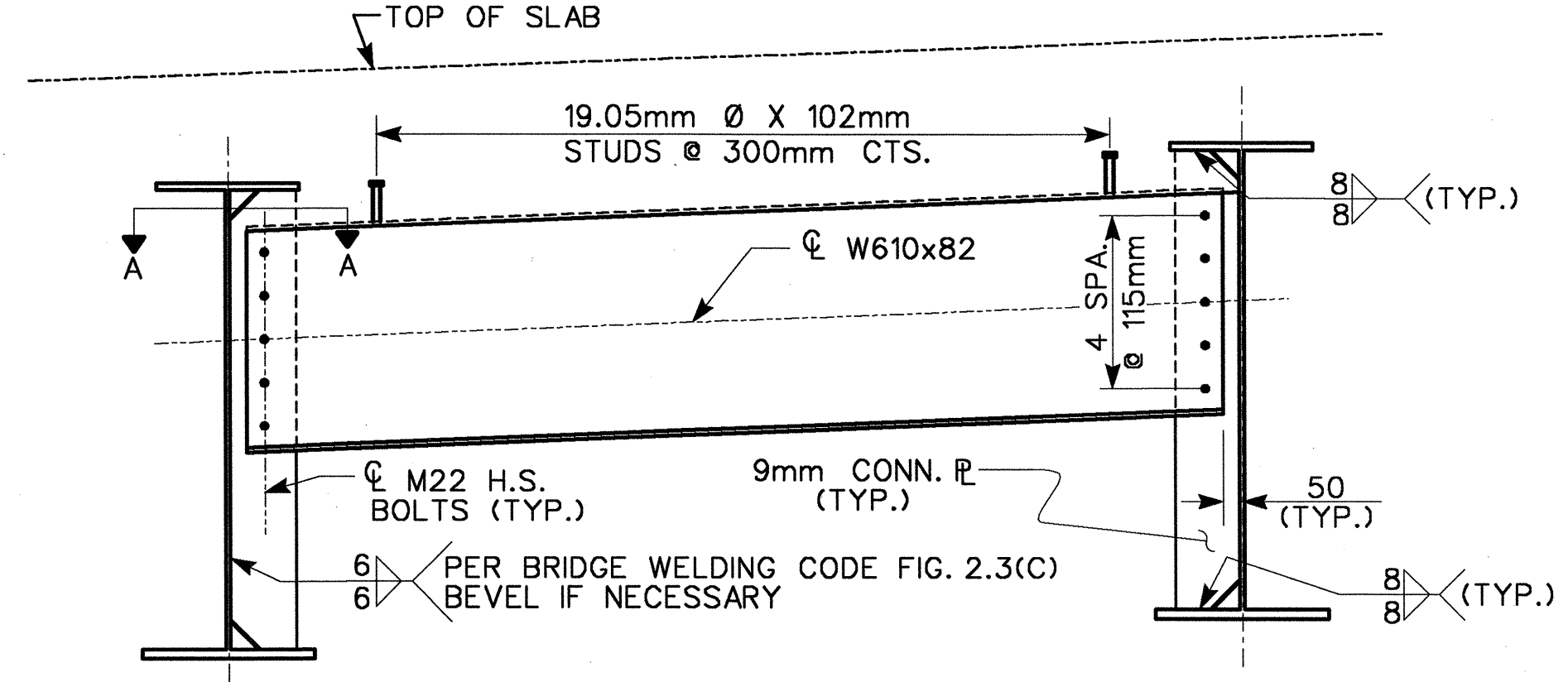
TYPICAL FLANGE AND WEB BUTT JOINT



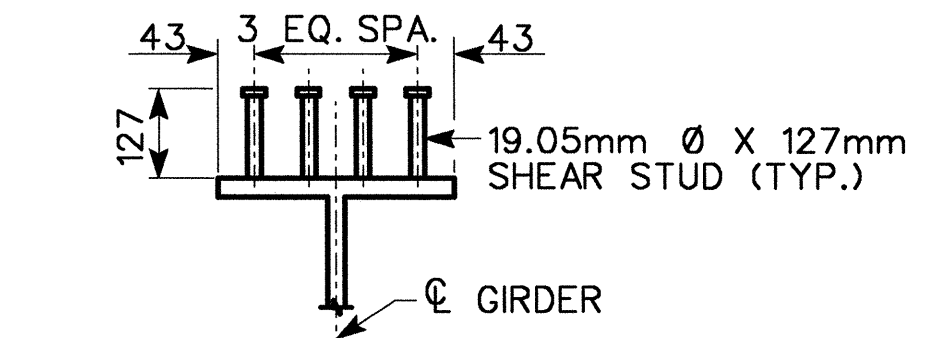
INTERMEDIATE DIAPHRAGM (D-2)



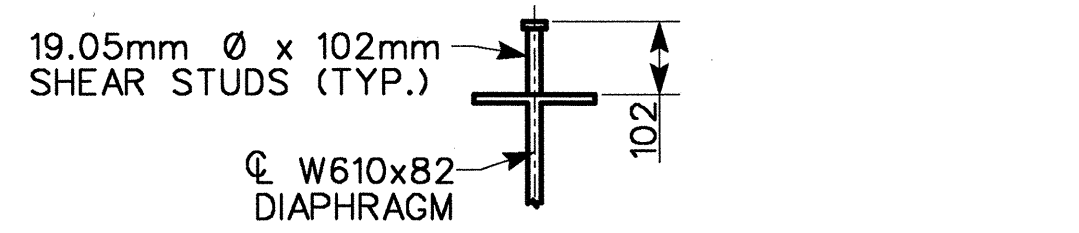
BEARING STIFFENER



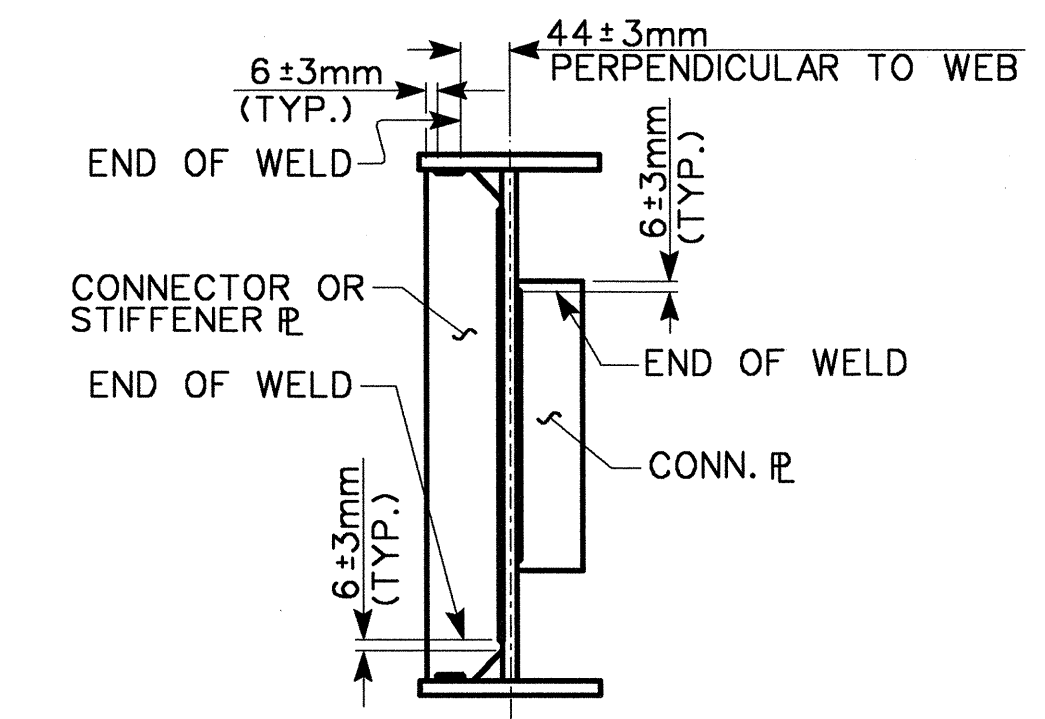
END BENT DIAPHRAGM (D-1)



SHEAR STUD DETAIL



SHEAR STUD DETAILS



TYPICAL STIFFENER OR CONNECTOR PLATE CONNECTIONS

WELD TERMINATION DETAIL

PROJECT NO. R-2552B
JOHNSTON COUNTY
 STATION: 78+35.547 -L-
12+97.374 -Y10-

STATE OF NORTH CAROLINA
 DEPARTMENT OF TRANSPORTATION
 RALEIGH
 SUPERSTRUCTURE
 STRUCTURAL STEEL
 DETAILS
 (LEFT LANE)

REVISIONS					SHEET NO.
NO.	BY:	DATE:	NO.	BY:	DATE:
1			3		
2			4		

TOTAL SHEETS: 431

PBSJ
 1616 E. MILLBROOK RD., SUITE 310
 RALEIGH, NORTH CAROLINA 27609
 PHONE (919) 876-6888
 FAX (919) 876-6848

DRAWN BY: AR DATE: 6/03
 CHECKED BY: JL DATE: 9/03