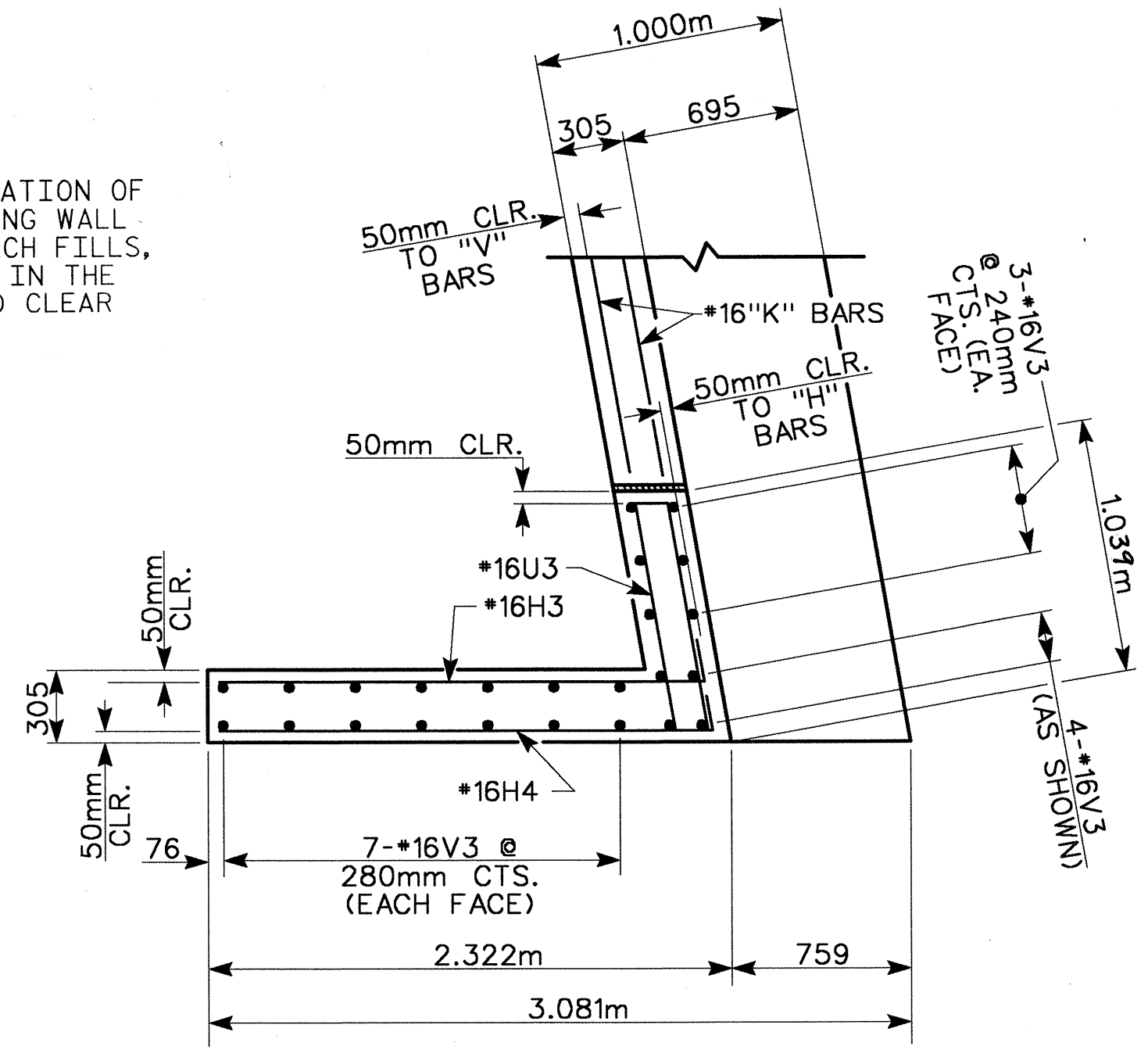
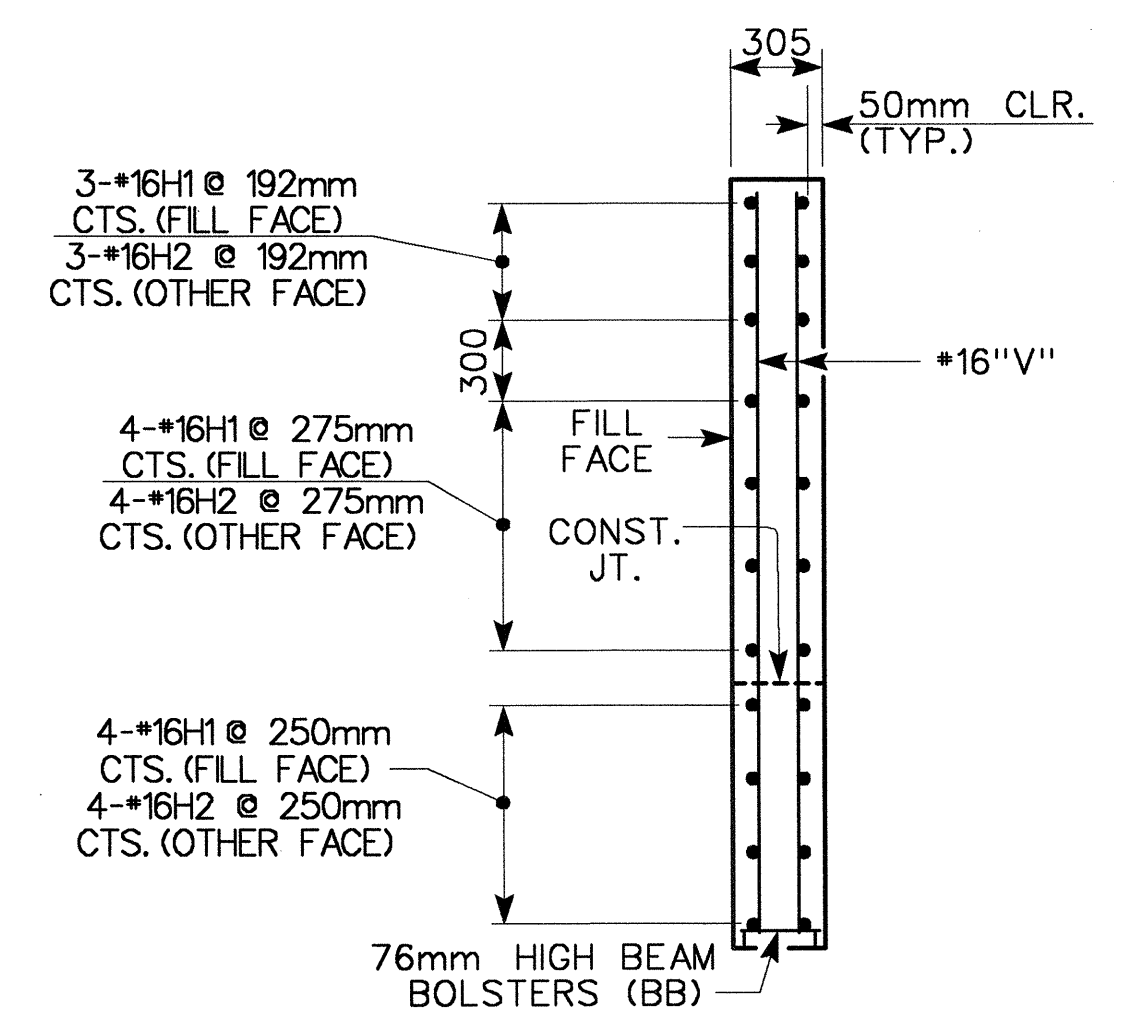


PLAN OF LEFT WING (W1)

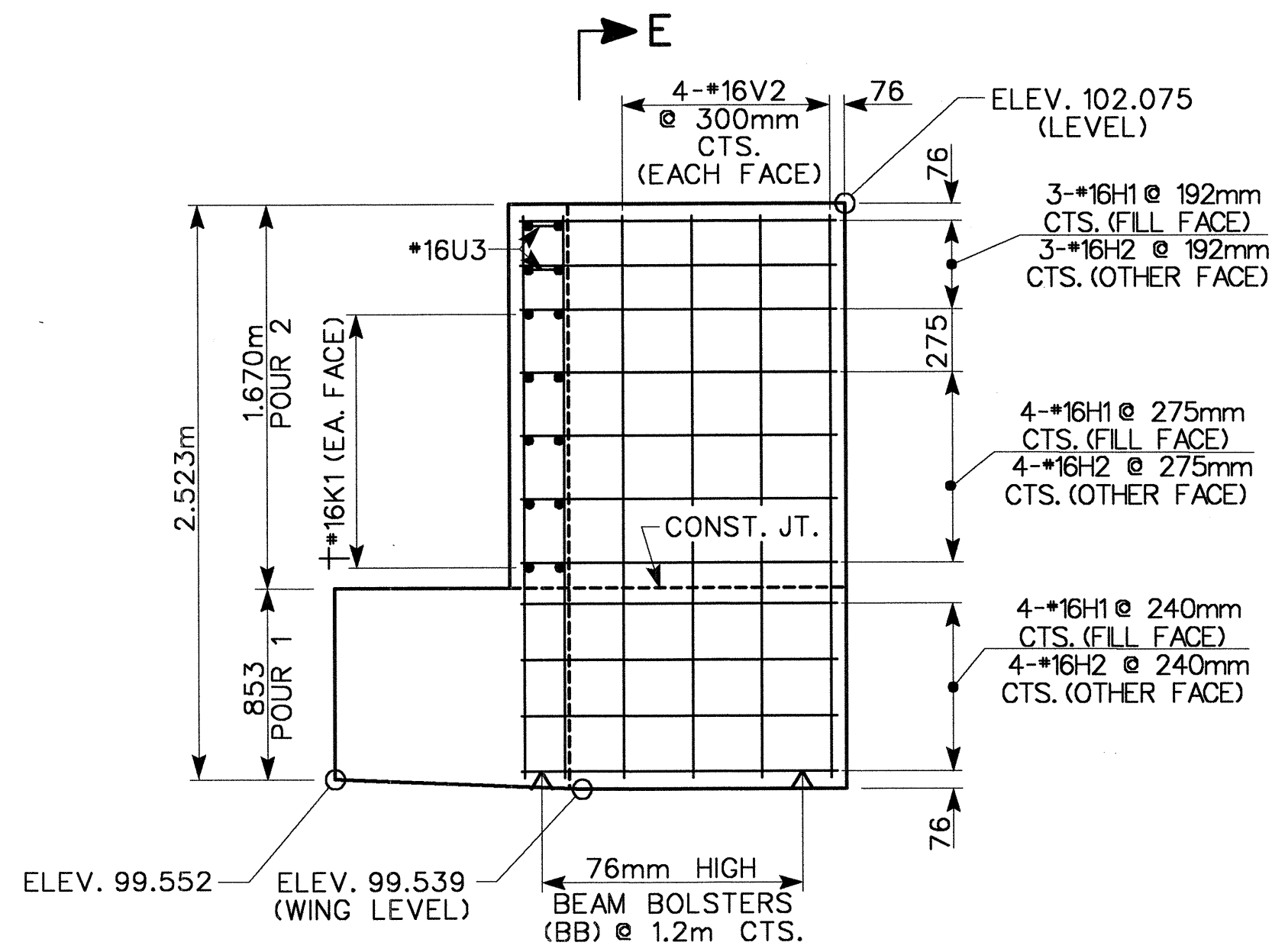
NOTE:
 THE CONTRACTOR SHALL PROVIDE FOR INSTALLATION OF THE 102mm Ø DRAIN PIPE THROUGH THE WING WALL AS REQUIRED FOR REINFORCED BRIDGE APPROACH FILLS. SEE THE ROADWAY PLANS. REINFORCING STEEL IN THE WING WALL MAY BE SHIFTED AS NECESSARY TO CLEAR THE DRAIN PIPE.



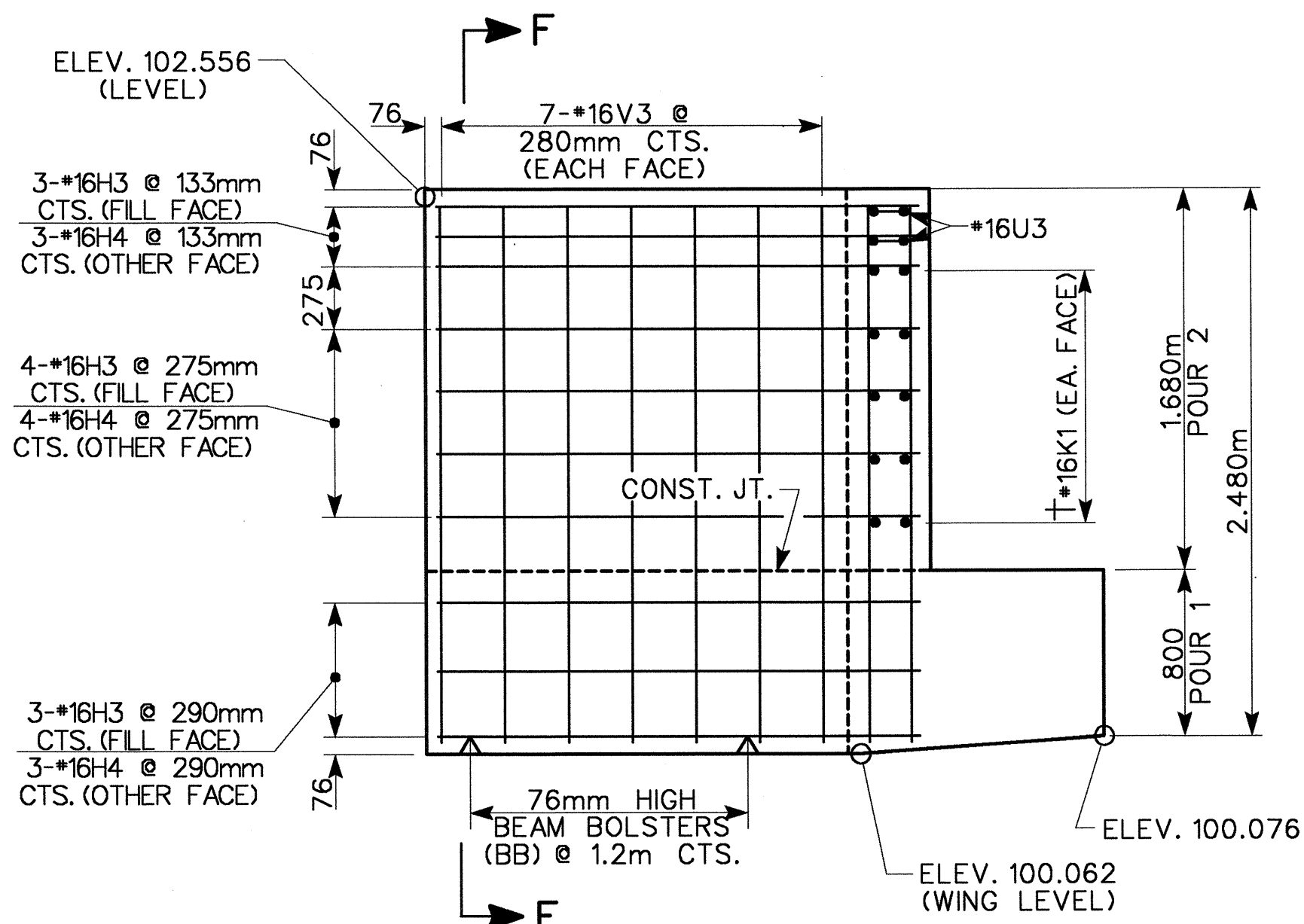
PLAN OF RIGHT WING (W2)



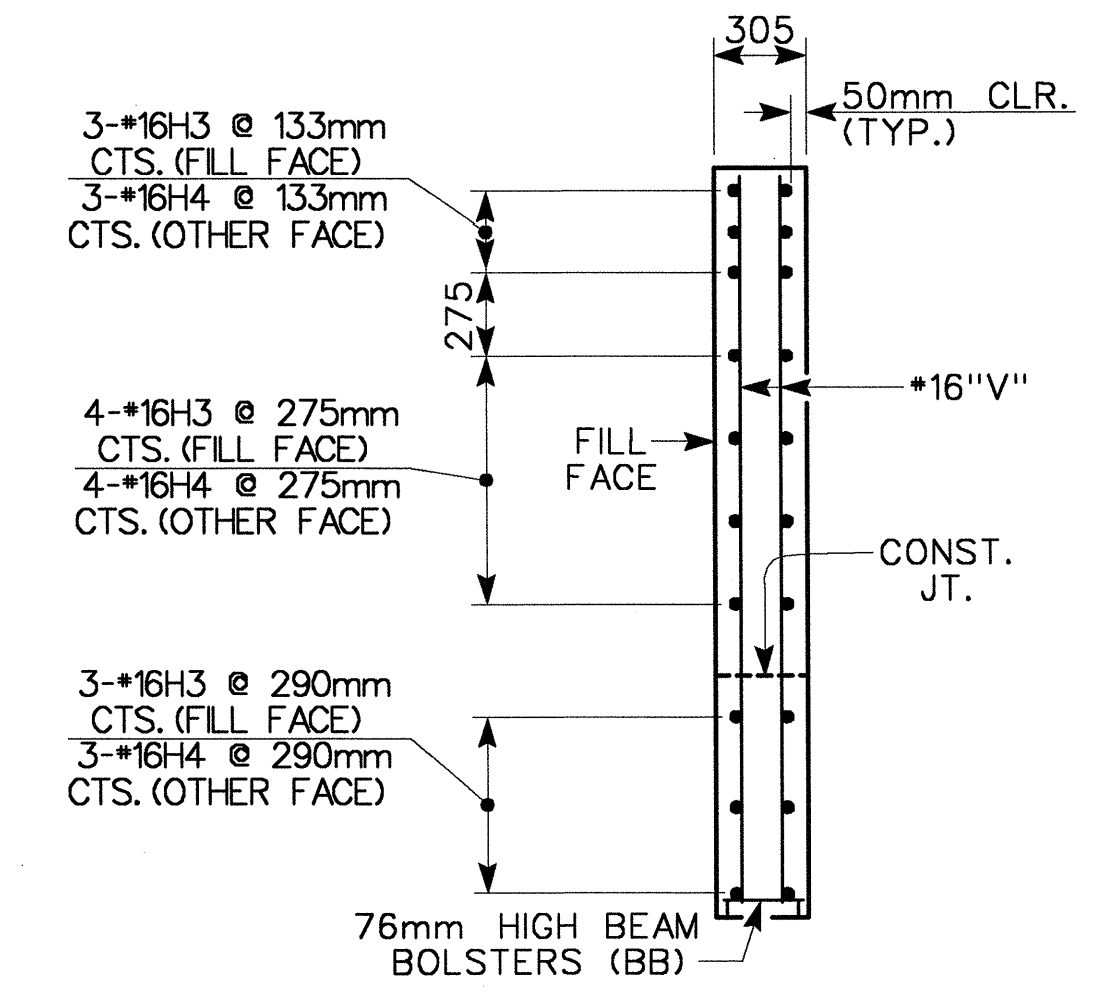
SECTION E-E



ELEVATION OF LEFT WING (W1)



ELEVATION OF RIGHT WING (W2)



SECTION F-F

†MATCH "K" BARS TO "H" BARS IN BACKWALL AS SHOWN

PBSJ
 1616 E. MILLBROOK RD., SUITE 310
 RALEIGH, NORTH CAROLINA 27609
 PHONE (919) 876-6888
 FAX (919) 876-6848

DRAWN BY : SD DATE : 6/03
 CHECKED BY : AR DATE : 9/03

NORTH CAROLINA PROFESSIONAL ENGINEER
 SEAL
 27274
 ADAM J. REEB
 2-13-04

PROJECT NO. R-2552B
 JOHNSTON COUNTY
 STATION: 78+35.547 -L-
 12+97.374 -Y10-

SHEET 2 of 3
 STATE OF NORTH CAROLINA
 DEPARTMENT OF TRANSPORTATION
 RALEIGH

END BENT #1
 SUBSTRUCTURE
 (LEFT LANE)

REVISIONS				SHEET NO.
NO.	BY:	DATE:	NO.	DATE:
1			3	
2			4	

TOTAL SHEETS: 431