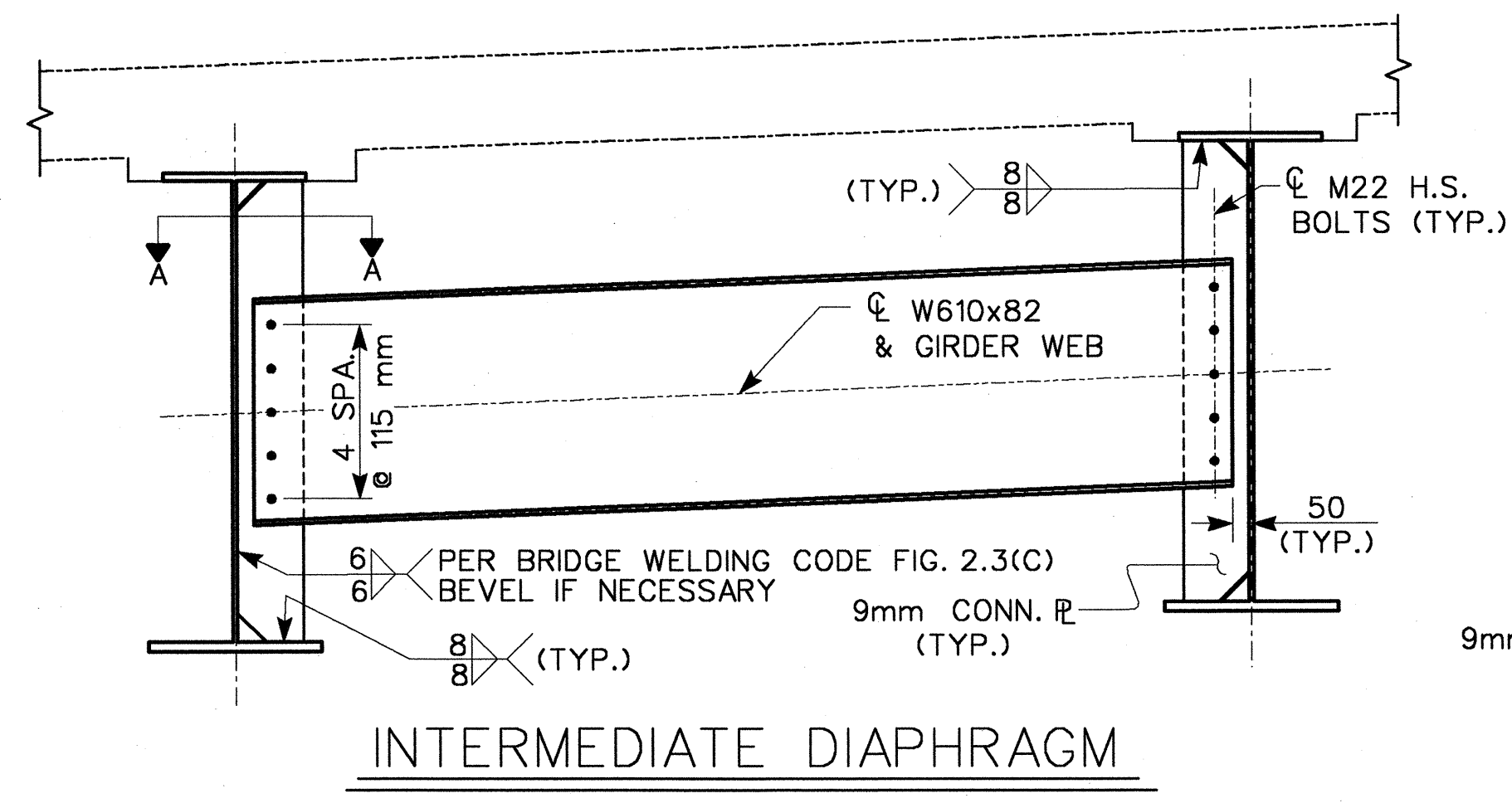
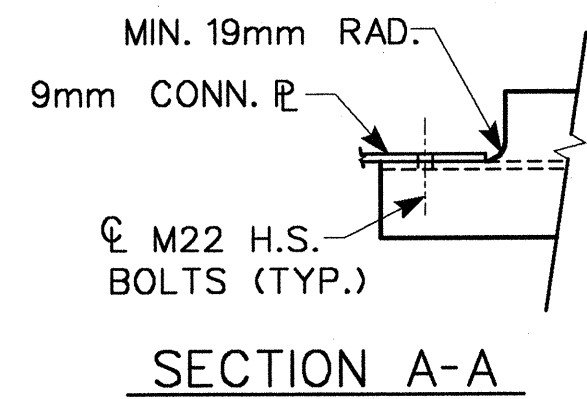


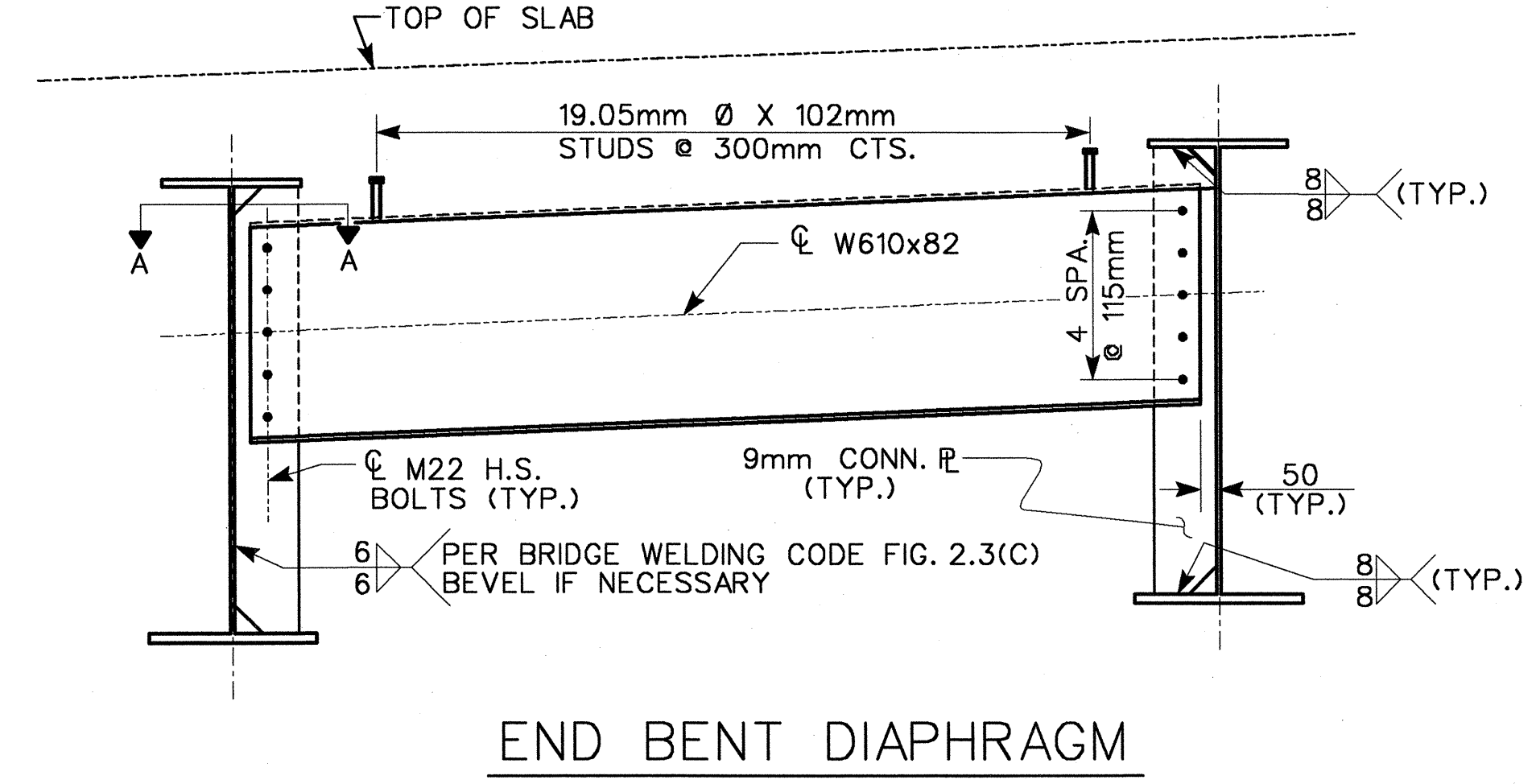
TYPICAL FLANGE AND WEB BUTT JOINT



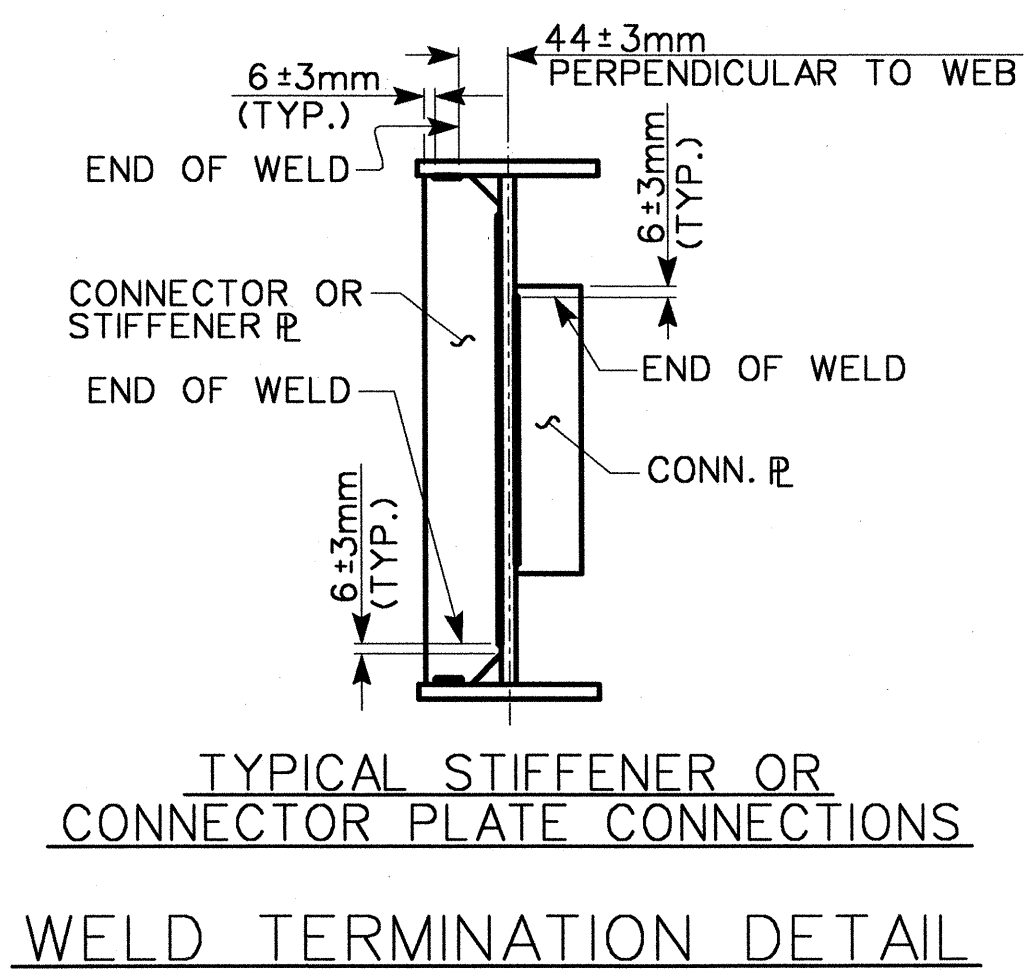
INTERMEDIATE DIAPHRAGM



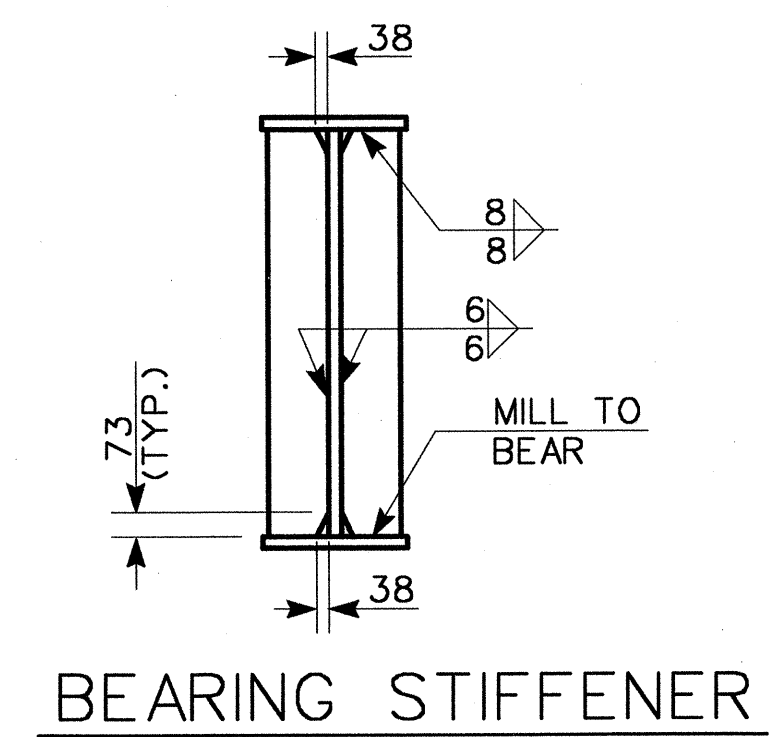
SECTION A-A



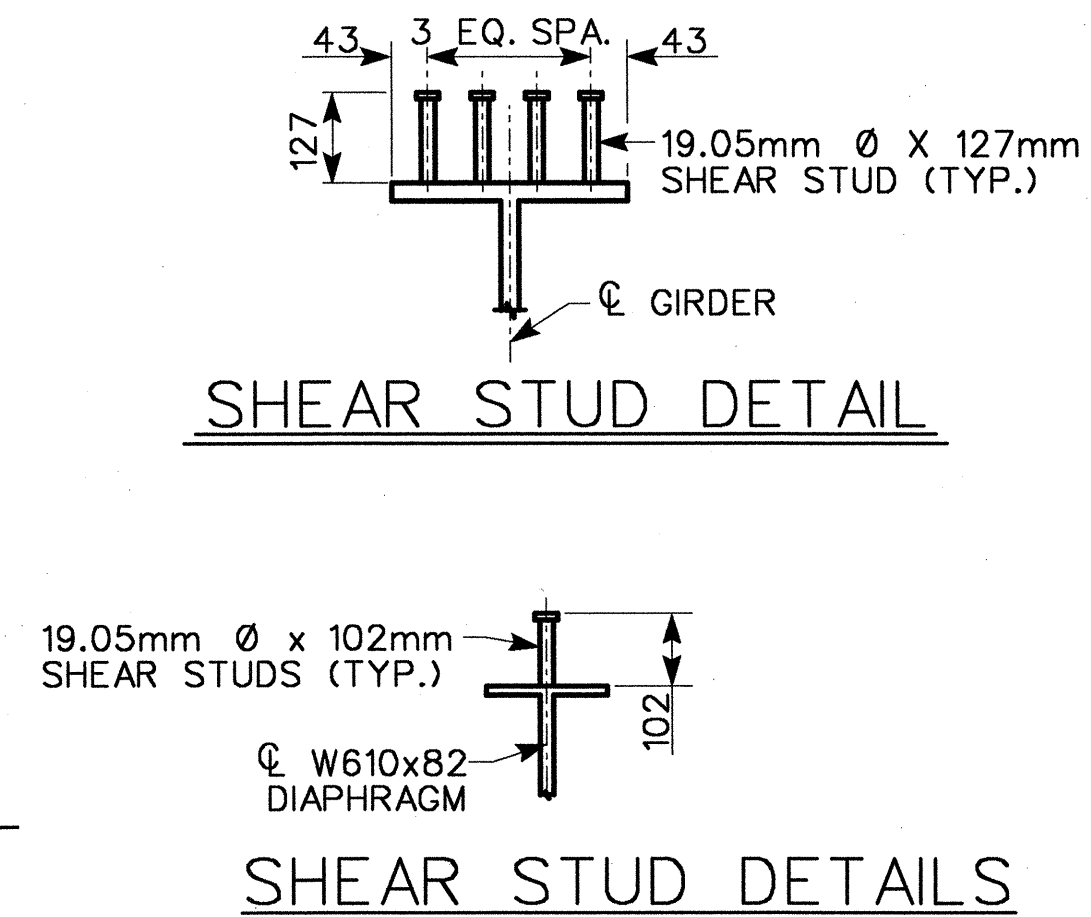
END BENT DIAPHRAGM



TYPICAL STIFFENER OR CONNECTOR PLATE CONNECTIONS
WELD TERMINATION DETAIL



BEARING STIFFENER



SHEAR STUD DETAIL

SHEAR STUD DETAILS

PROJECT NO. R-2552B
JOHNSTON COUNTY
 STATION: 78+35.547 -L-
12+97.374 -Y10-

STATE OF NORTH CAROLINA
 DEPARTMENT OF TRANSPORTATION
 RALEIGH
 SUPERSTRUCTURE
 STRUCTURAL STEEL
 DETAILS
 (RIGHT LANE)

REVISIONS				SHEET NO.
NO.	BY:	DATE:	NO.	DATE:
1			3	
2			4	

TOTAL SHEETS: 431

PBS&J
 1616 E. MILLBROOK RD., SUITE 310
 RALEIGH, NORTH CAROLINA 27609
 PHONE (919) 876-6888
 FAX (919) 876-6848

DRAWN BY: AR DATE: 6/03
 CHECKED BY: JL DATE: 8/03



2-13-04