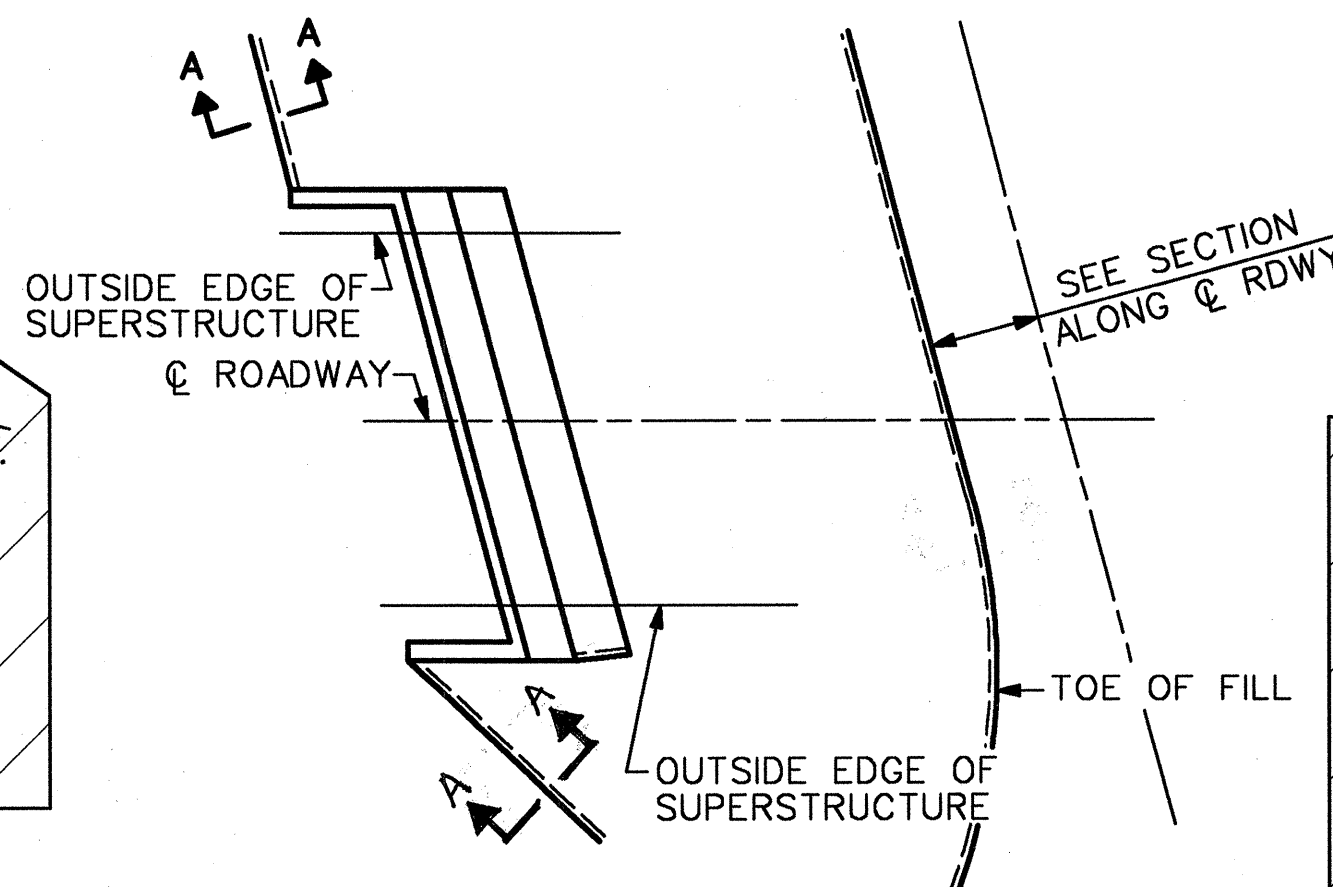


PLAN

END BENT 1 SHOWN, END BENT 2 SIMILAR BY ROTATION



GENERAL NOTES

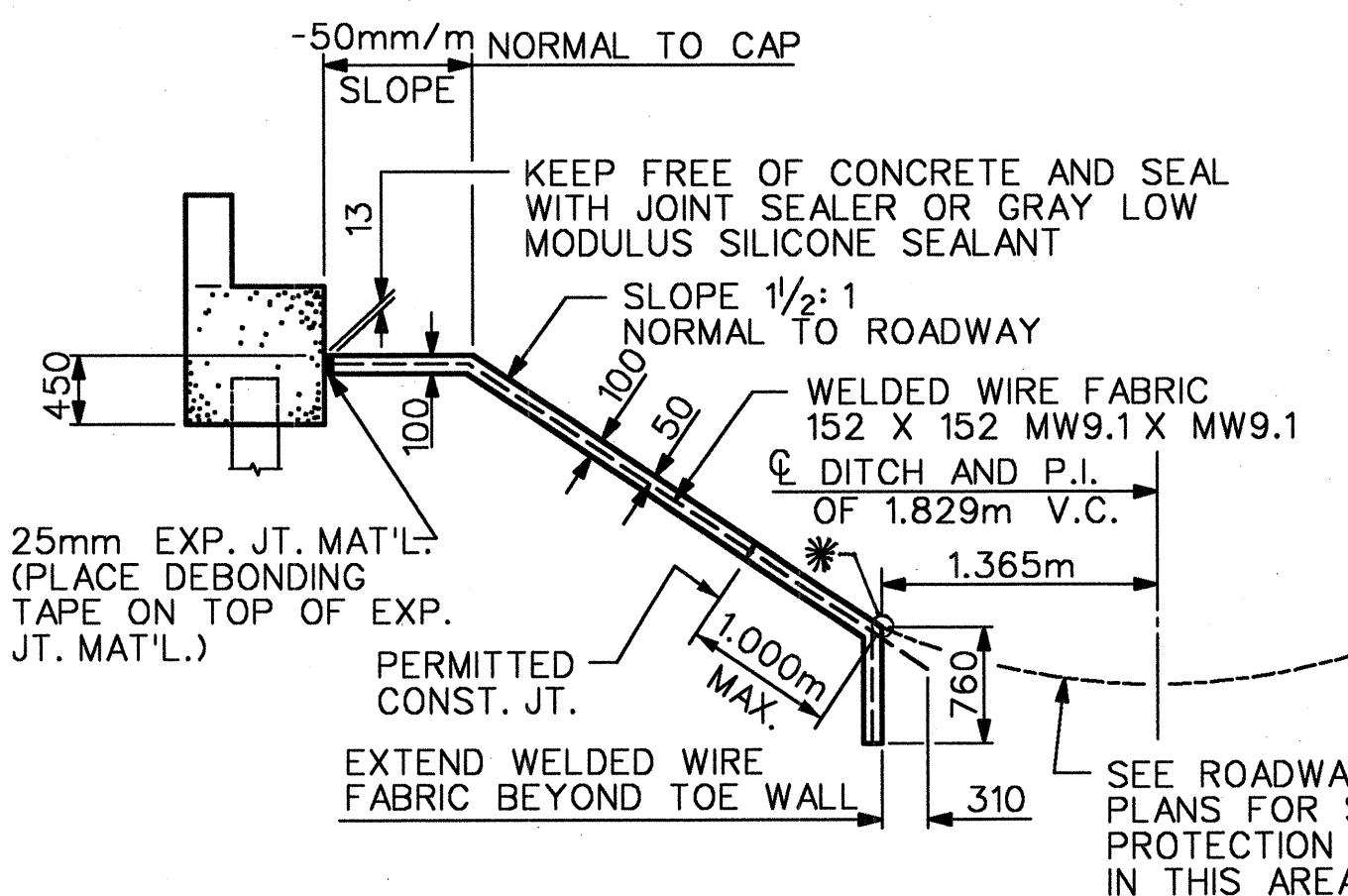
SLOPE PROTECTION SHALL BE PLACED UNDER THE ENDS OF THE BRIDGE AS SHOWN IN THE DETAILS. THE CONTRACTOR, AT HIS OPTION, MAY USE ALTERNATE "B" ONLY FOR HIGHWAY OVER HIGHWAY GRADE SEPARATIONS WITH 2:1 END BENT SLOPE IN RURAL, UNPOPULATED AREAS. STRAIGHT EDGING WILL NOT BE REQUIRED UNLESS, IN THE OPINION OF THE ENGINEER, VISUAL INSPECTION INDICATES A NEED FOR IT. METHOD OF MEASUREMENT AND BASIS OF PAYMENT SHALL BE AS PRESCRIBED IN SECTION 462 OF THE STANDARD SPECIFICATIONS. FOR BERM WIDTH, SEE GENERAL DRAWING.

ALTERNATE "A"

ALTERNATE "A" SHALL CONSIST OF 100mm POURED-IN-PLACE CONCRETE PAVING AS SHOWN IN THE DETAILS ON THIS SHEET. CONCRETE SHALL BE CLASS "B". THE CONCRETE SURFACE SHALL BE FLOATED WITH A WOODEN FLOAT AND FINISHED. WELDED WIRE FABRIC REINFORCING SHALL BE 152 X 152 - W9.1 X W9.1 1520mm WIDE. SLOPE PROTECTION SHALL BE POURED IN 1520mm STRIPS AS SHOWN IN THE "POURING DETAIL" WITH 600mm LONG #13 BARS PLACED ALONG THE SLOPE BETWEEN STRIPS AT 450mm MAXIMUM SPACING. SLOPE PROTECTION MAY BE POURED IN ALTERNATE 1220mm AND 1520mm STRIPS AS SHOWN IN THE "OPTIONAL POURING DETAIL" WITH ADJACENT RUNS OF WELDED WIRE FABRIC LAPPING AT LEAST 152mm. THE COST OF THE WELDED WIRE FABRIC AND #13 BARS, IF USED, SHALL BE INCLUDED IN THE CONTRACT UNIT PRICE BID PER SQUARE METER FOR SLOPE PROTECTION.

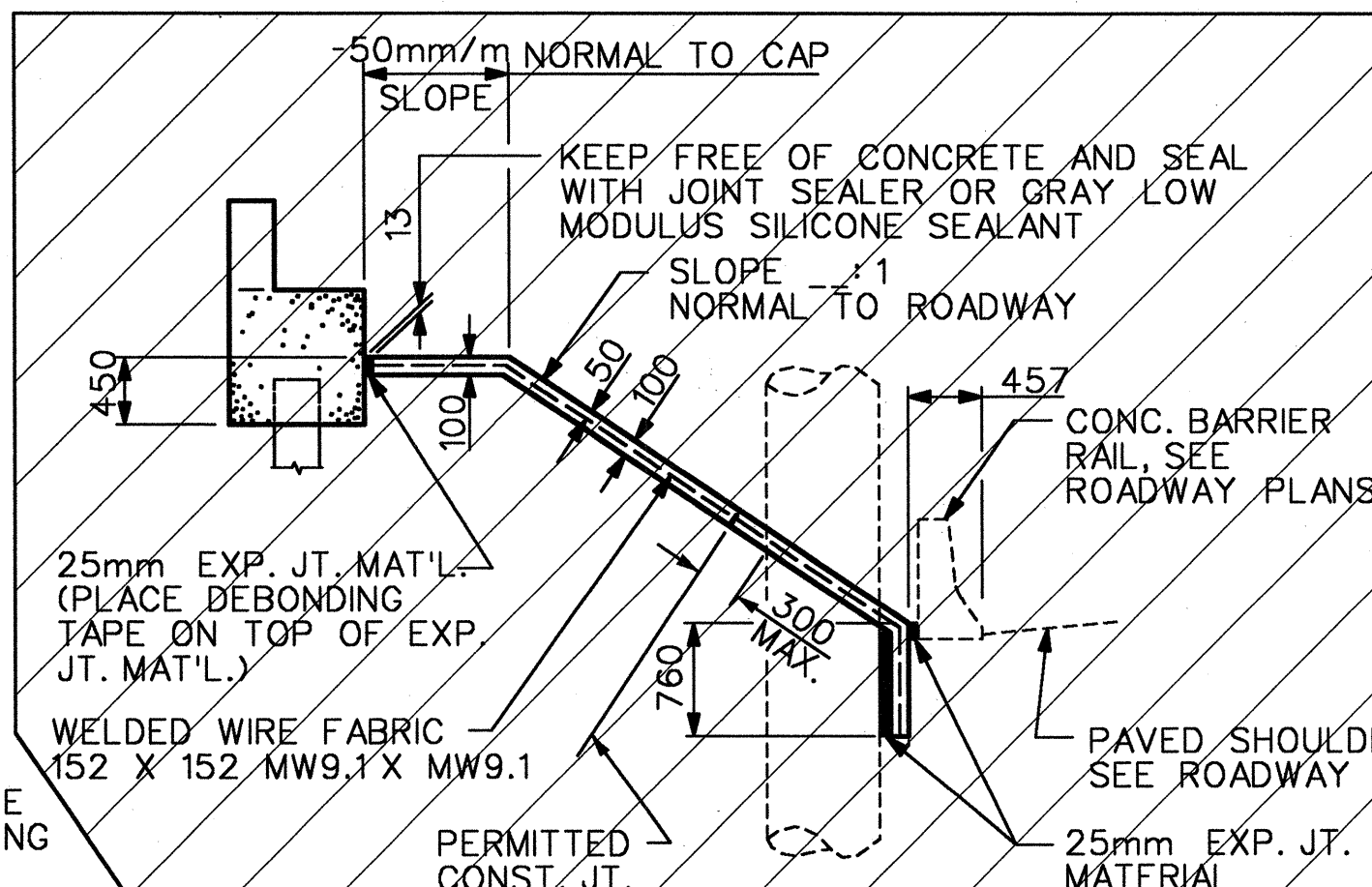
ALTERNATE "B"

ALTERNATE "B" SHALL CONSIST OF A COMBINATION CONCRETE SLAB AND STONE SLOPE PROTECTION. THE CONCRETE PORTIONS SHALL CONSIST OF PAVED STRIPS ALONG THE DITCH AS SHOWN IN THE DETAILS. FILTER FABRIC AND 200mm OF STONE SHALL BE PLACED OVER THE REMAINING AREA SHOWN ON THE PLANS TO BE COVERED WITH SLOPE PROTECTION. CONCRETE SHALL BE CLASS "B". THE COST OF THE CONCRETE, FILTER FABRIC, STONE AND WELDED WIRE FABRIC 152 X 152 MW9.1 X MW9.1 SHALL BE INCLUDED IN THE CONTRACT UNIT PRICE BID PER SQUARE METER FOR SLOPE PROTECTION. SUBGRADING, STONE TYPE, STONE SIZING, AND HERBICIDE PROTECTION, SHALL BE IN ACCORDANCE WITH THE STANDARD SPECIFICATIONS EXCEPT THE HERBICIDE TYPE SHALL BE SUBMITTED TO THE ENGINEER FOR APPROVAL PRIOR TO APPLICATION.

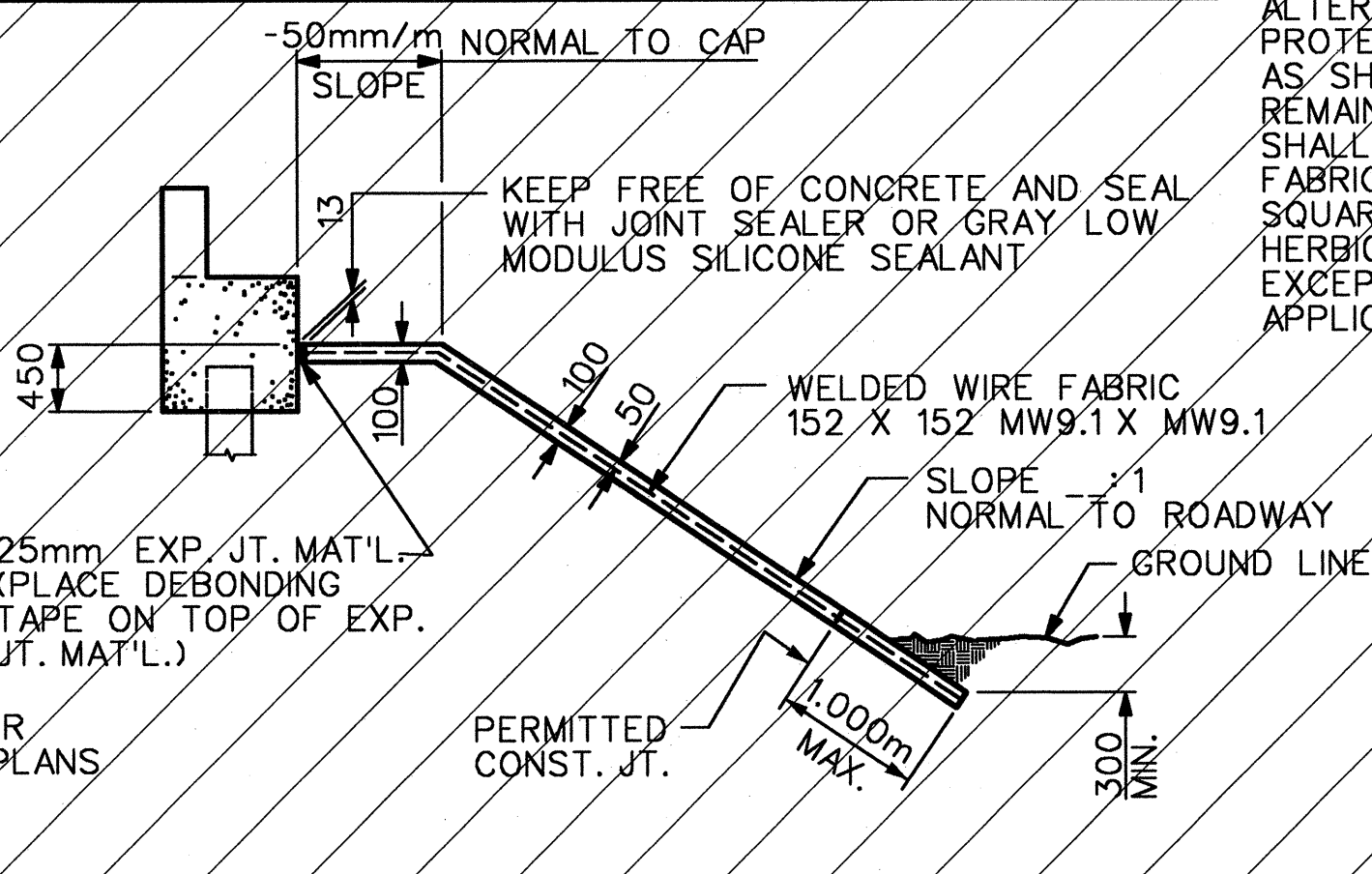


SECTION ALONG ROADWAY WHEN FILL CATCHES IN DITCH

* THE SLOPE PROTECTION ELEVATIONS LISTED ON THE GENERAL DRAWING ARE TAKEN AT THIS POINT.



SECTION ALONG ROADWAY WITH SHOULDER PIER

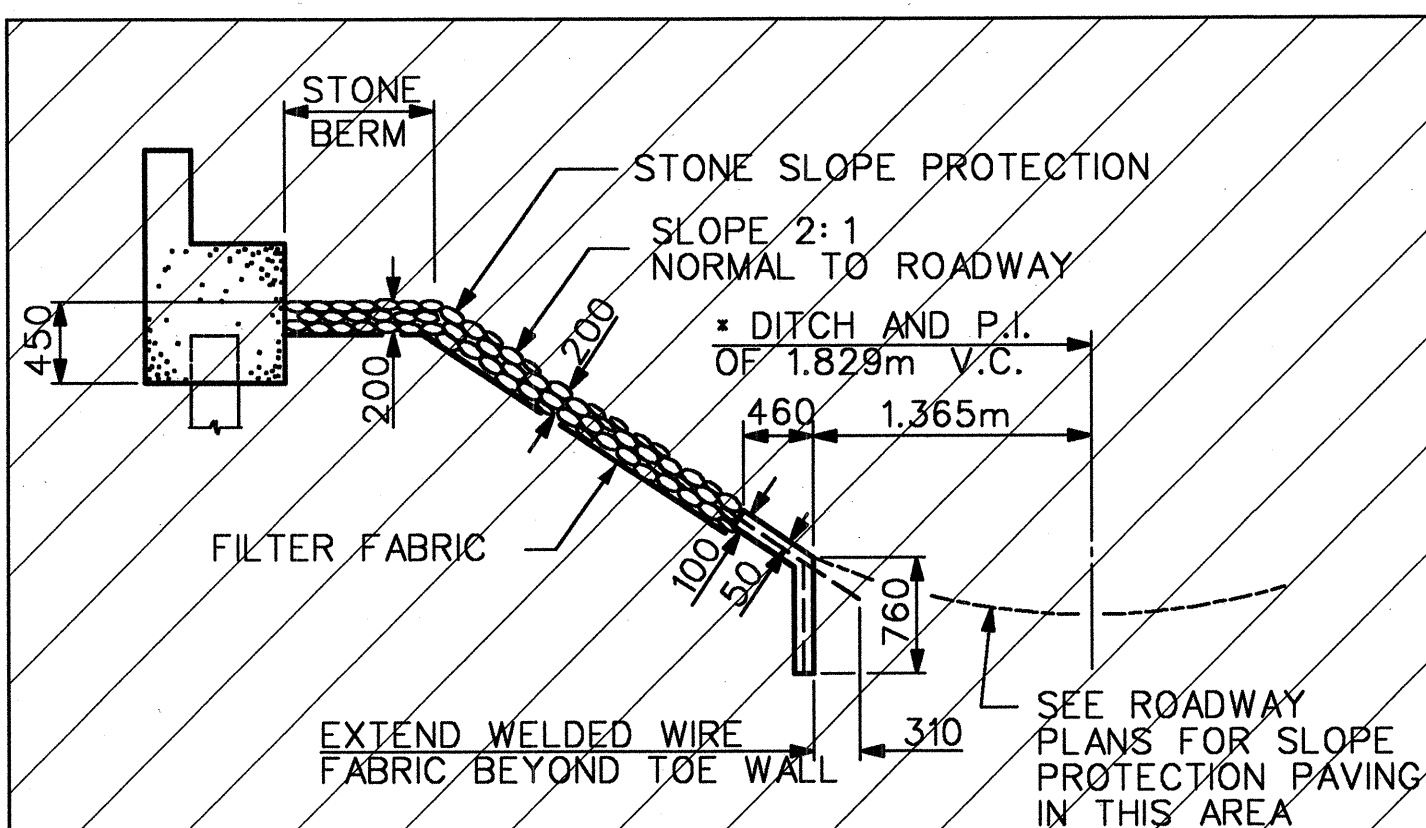


SECTION ALONG ROADWAY WHEN DITCH IS NOT PROVIDED

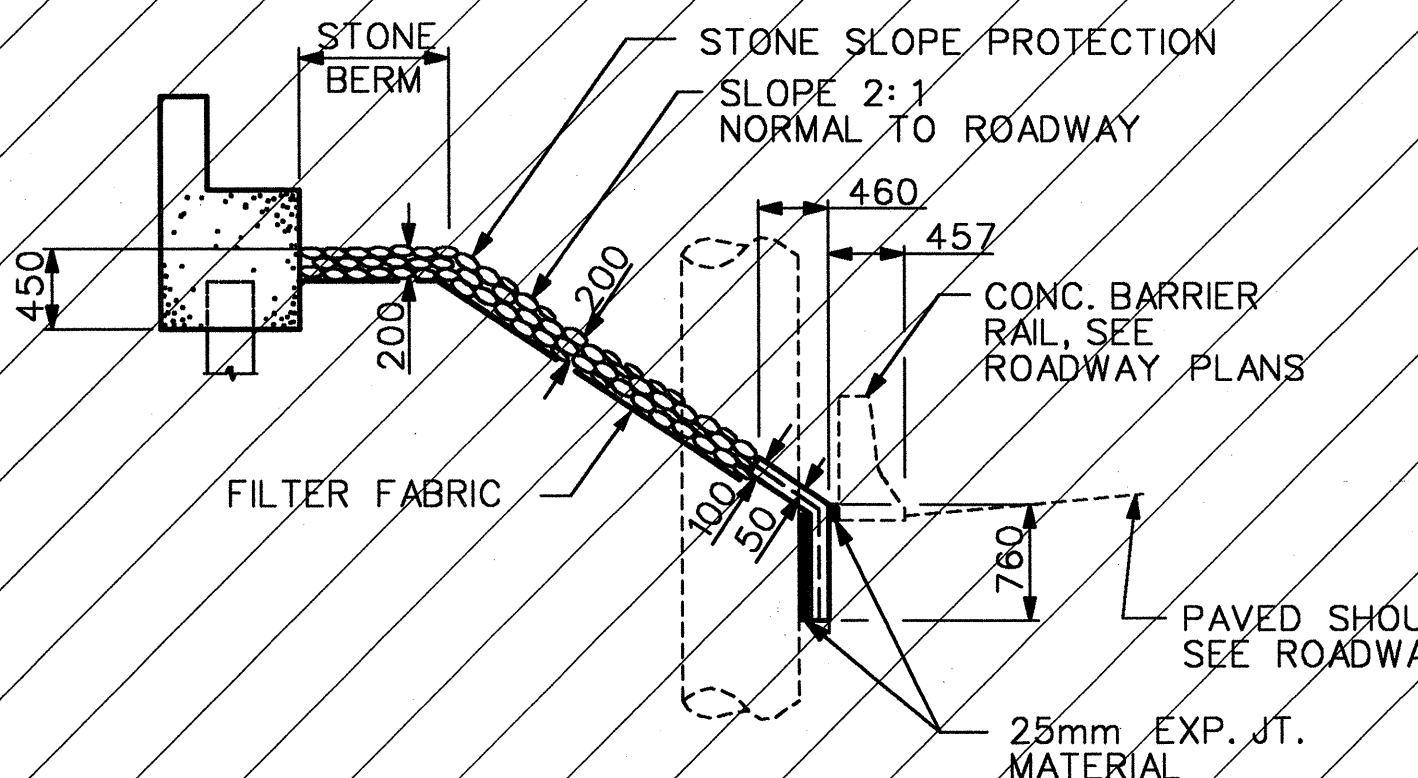
BRIDGE @ STA. 78+35.547 -L- STA. 12+97.374 -Y10-	100mm SLOPE PROTECTION	* WELDED WIRE FABRIC 1520mm WIDE
	SQUARE METERS	APPROX. METERS
END BENT 1	343	290
END BENT 2	391	300

*QUANTITY SHOWN IS BASED ON 1520mm POURS.

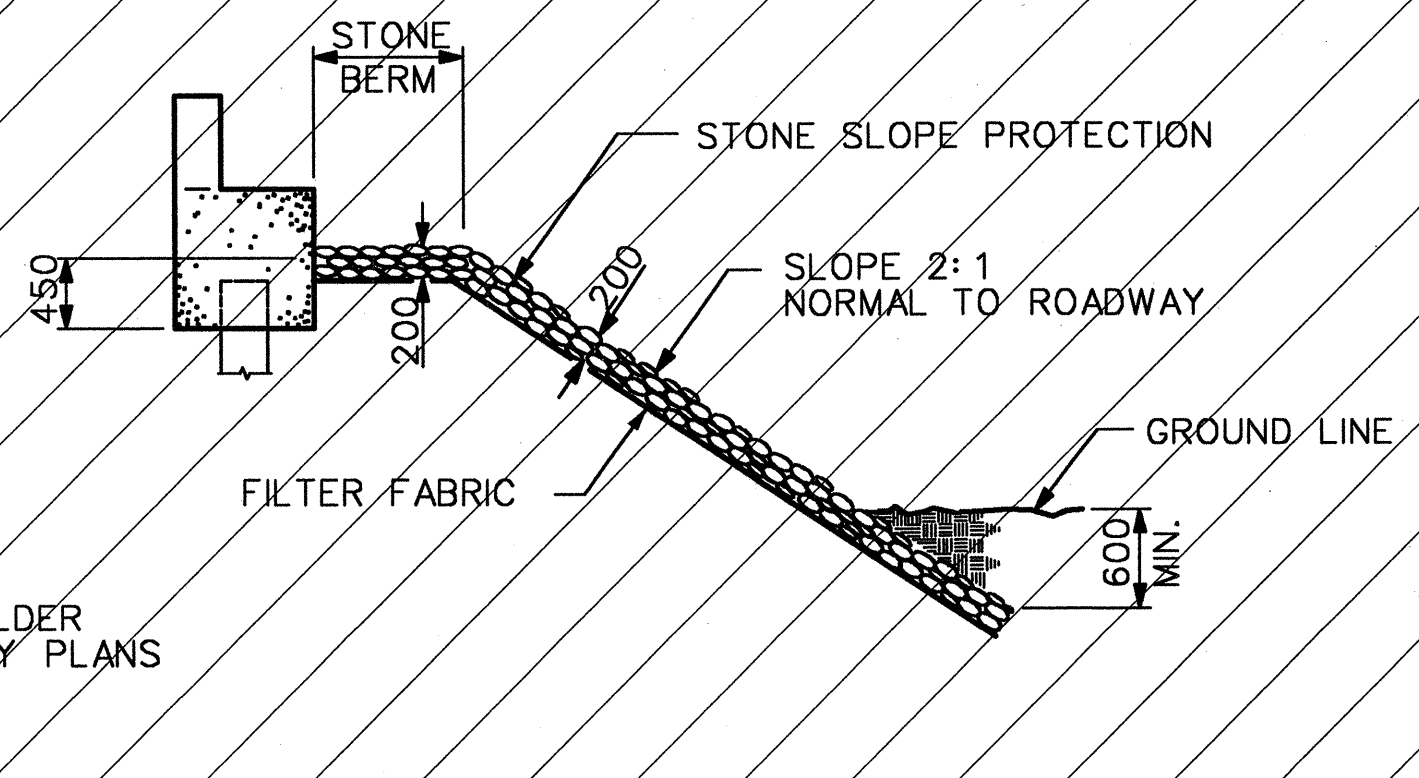
DETAILS FOR ALTERNATE "A"



SECTION ALONG ROADWAY WHEN FILL CATCHES IN DITCH

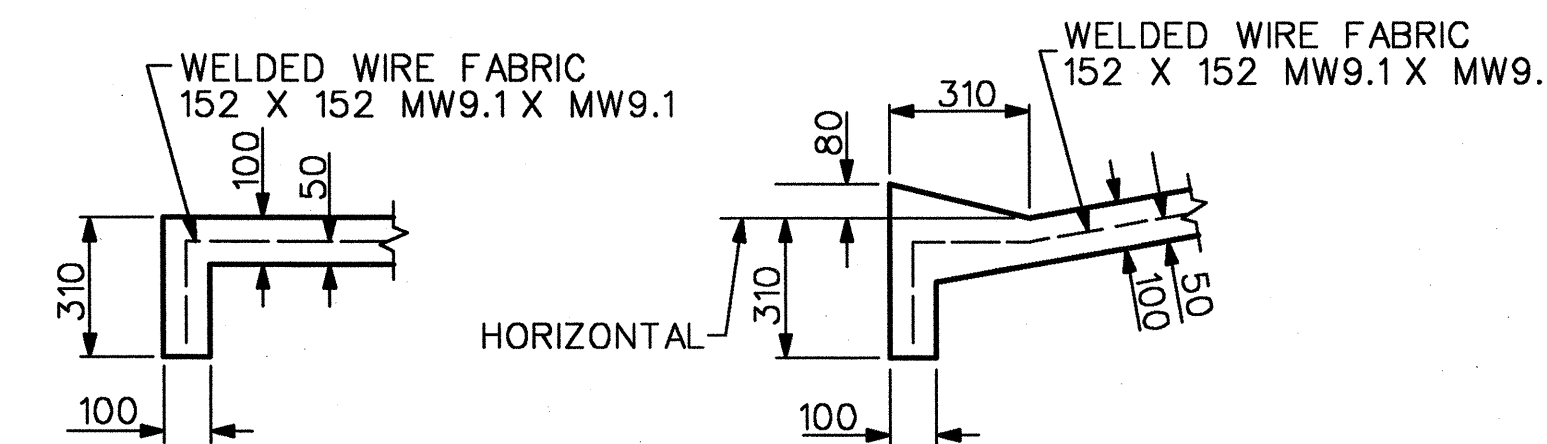


SECTION ALONG ROADWAY WITH SHOULDER PIER



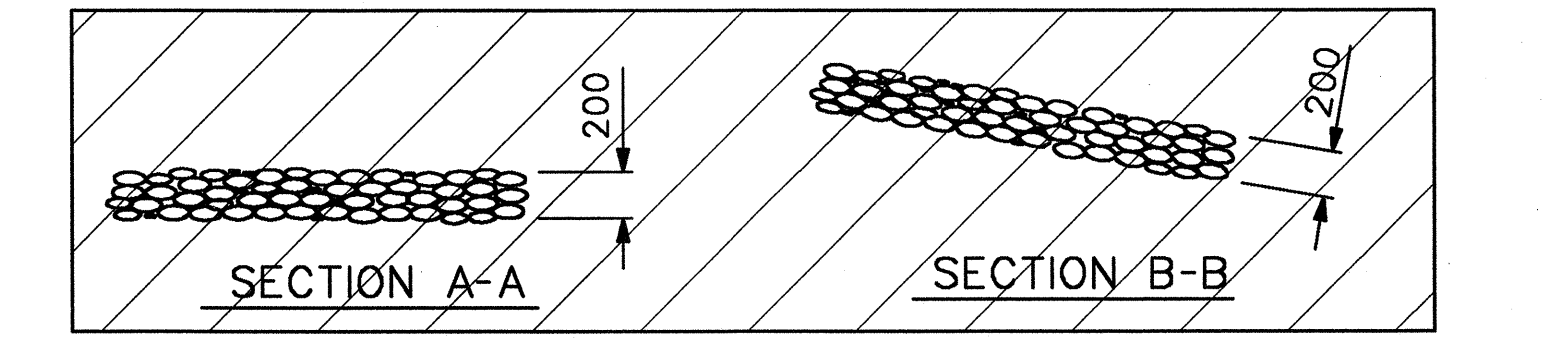
SECTION ALONG ROADWAY WHEN DITCH IS NOT PROVIDED

DETAILS FOR ALTERNATE "B"



SECTION A-A

SECTION B-B



SECTION A-A

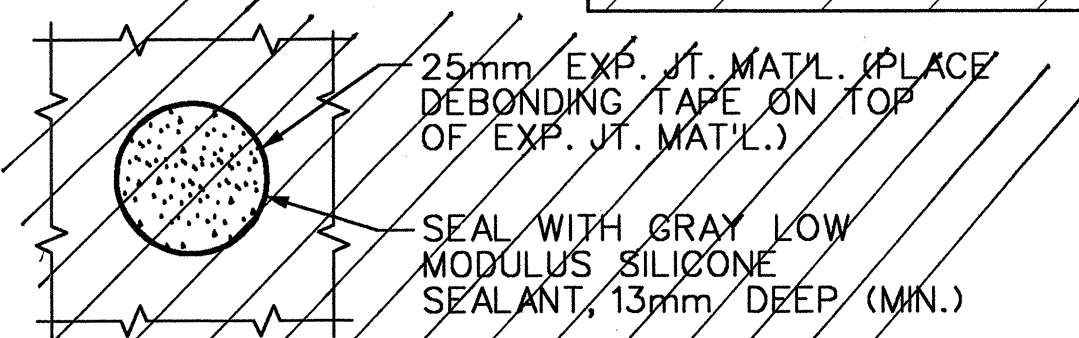
SECTION B-B

PROJECT NO. R-2552B

JOHNSTON COUNTY

STATION: 78+35.547 -L-
12+97.374 -Y10-

SHEET 1 OF 2

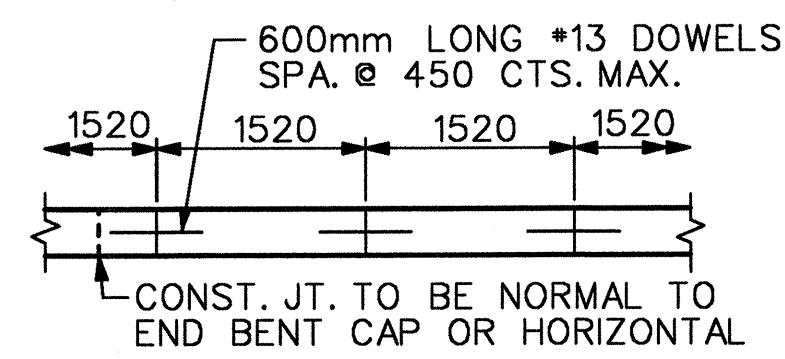


PLAN WHERE CONCRETE SLOPE PROTECTION MUST BE PLACED AROUND A BENT COLUMN

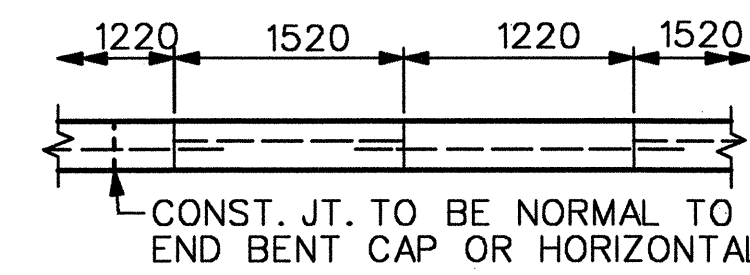
THIS STANDARD DRAWING REVIEWED AND ADAPTED FOR USE AT THE REFERENCED LOCATION BY THE UNDERSIGNED.



2-13-04



POURING DETAIL



OPTIONAL POURING DETAIL

ASSEMBLED BY : SD	DATE : 7/03
CHECKED BY : JL	DATE : 9/03
DRAWN BY : ELR 5/92	REV. 10/17/00 RWW/LES
CHECKED BY : GRP 6/92	REV. 7/10/01 LES/RDR
	REV. 5/7/03 RWW/JTE

STATE OF NORTH CAROLINA DEPARTMENT OF TRANSPORTATION RALEIGH						SHEET NO.
STANDARD SLOPE PROTECTION DETAILS (RIGHT LANE)						5-74
REVISIONS						TOTAL SHEETS
NO.	BY:	DATE:	NO.	BY:	DATE:	4/31
1			3			
2			4			