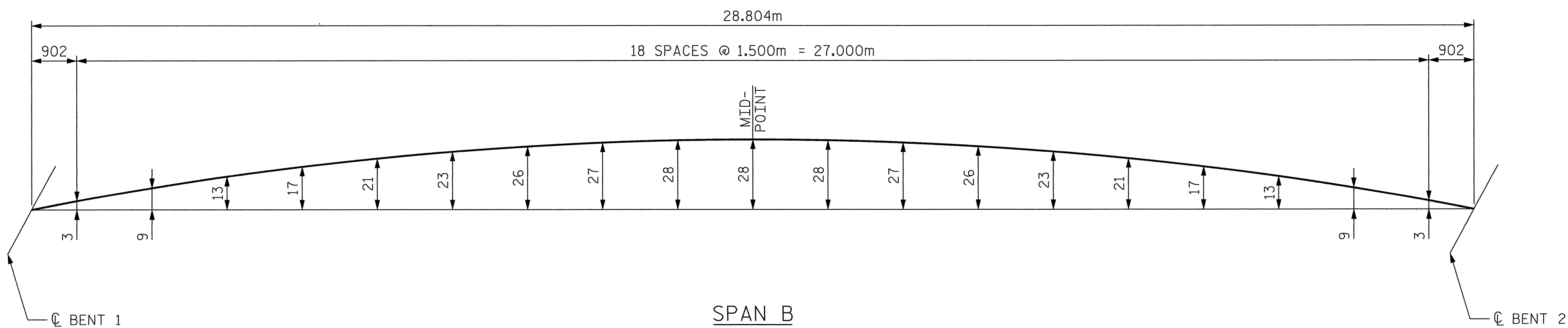
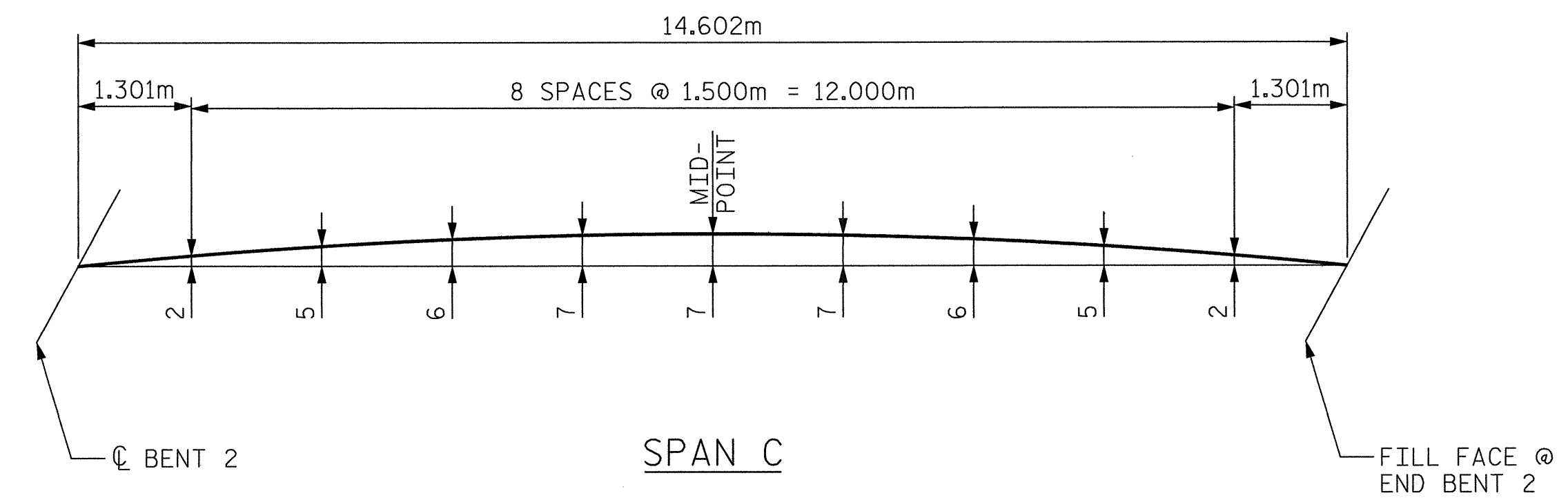
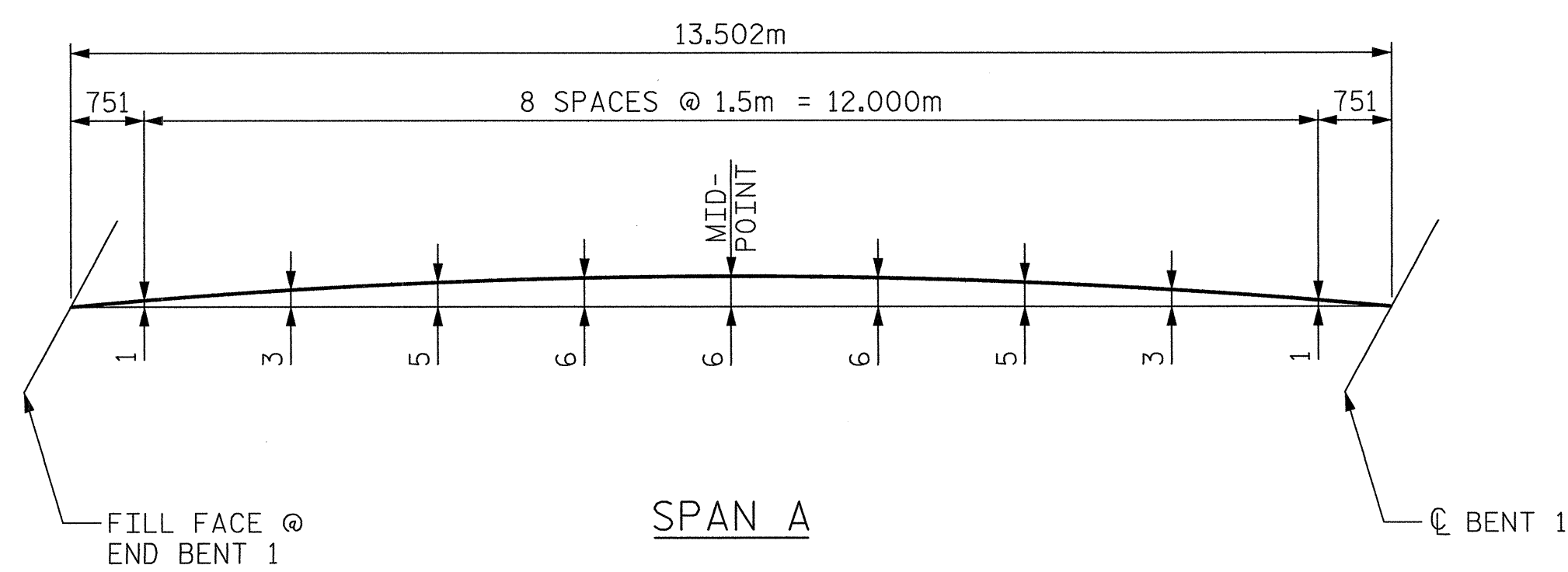
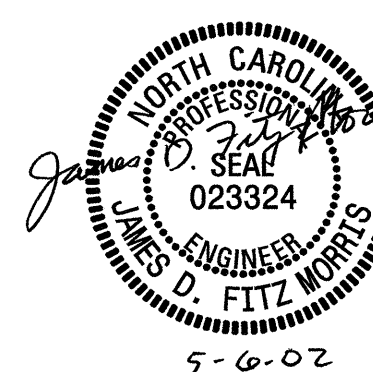


ARC OFFSETS FOR LEFT SIDE



ARC OFFSETS FOR RIGHT SIDE

PROJECT NO. **R-2552B**
JOHNSTON COUNTY
 STATION: **97+59.319-L-LT POC**



CTE ENGINEERS
 CONSOER TOWNSEND ENVIRODYNE ENGINEERS, INC.
 13325 SOUTH POINT BOULEVARD, SUITE 400
 CHARLOTTE, NORTH CAROLINA 28213-5820
 (704) 583-6902

STATE OF NORTH CAROLINA
 DEPARTMENT OF TRANSPORTATION
 RALEIGH

SUPERSTRUCTURE

ARC OFFSETS

REVISIONS				SHEET NO.
NO.	BY:	DATE:	NO.	DATE:
1			3	
2			4	

TOTAL SHEETS: 43

DRAWN BY : MSB DATE : 05/01/02
 CHECKED BY : JDF DATE : 05/01/02